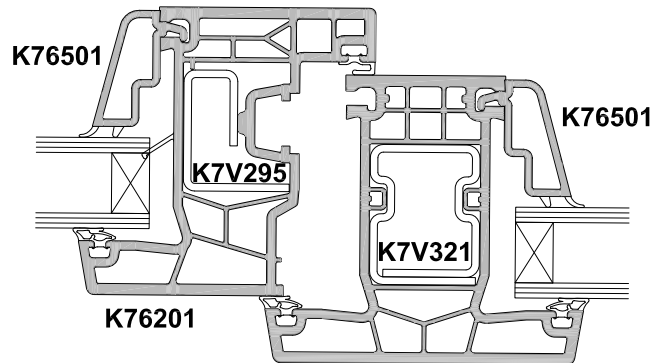
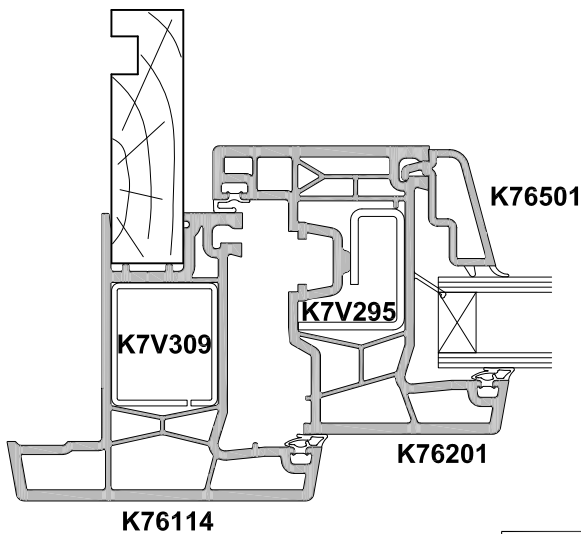
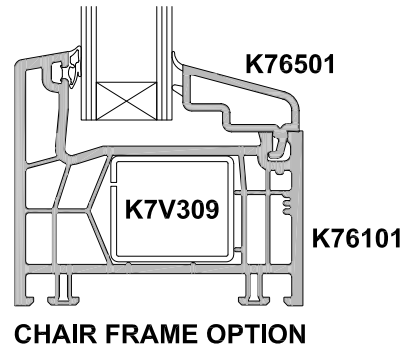
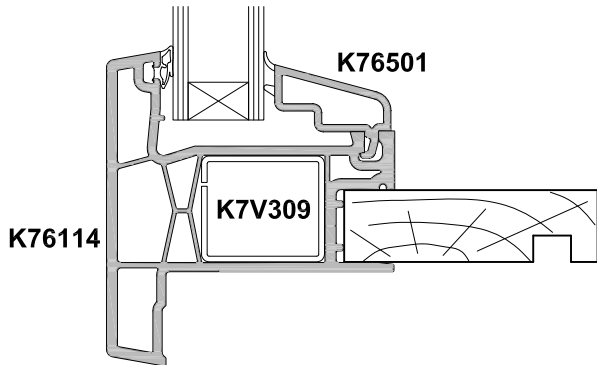


**SECTION A-A**



**SECTION B-B**

**K76301 Mullion**  
Refer to tables for span requirements