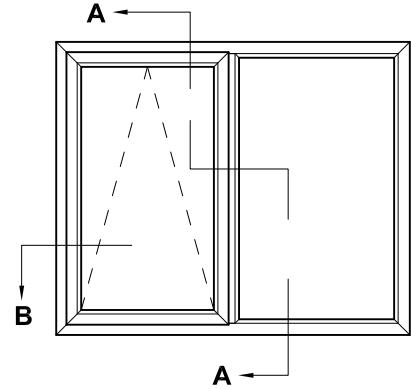
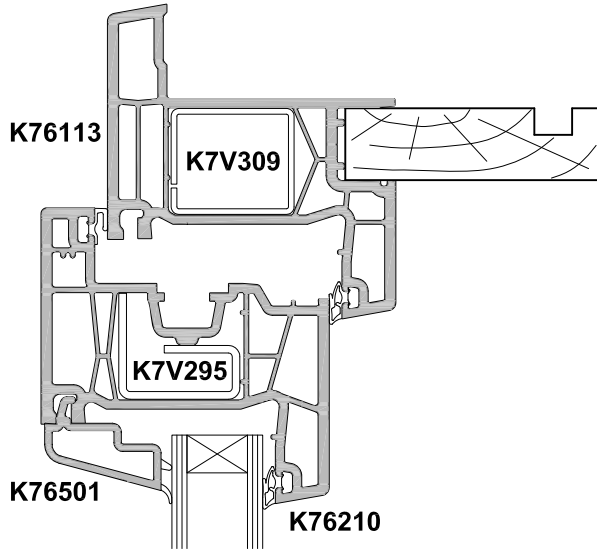
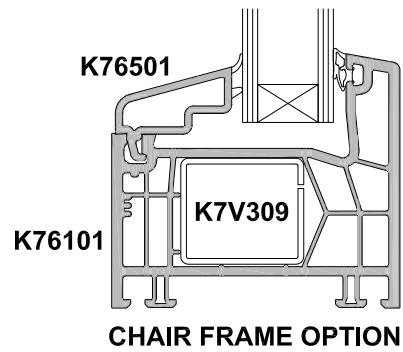
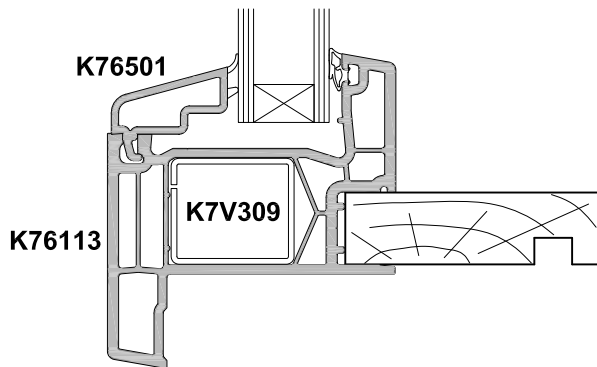


KLIMA SERIES AWNING WINDOW, SASH OPEN OUT CROSS SECTION

Cad Ref. AKAW02-0 Scale 1:2 Date 01.01.17



SECTION A-A



K76301 Mullion
Refer to tables for span requirements

SECTION B-B

