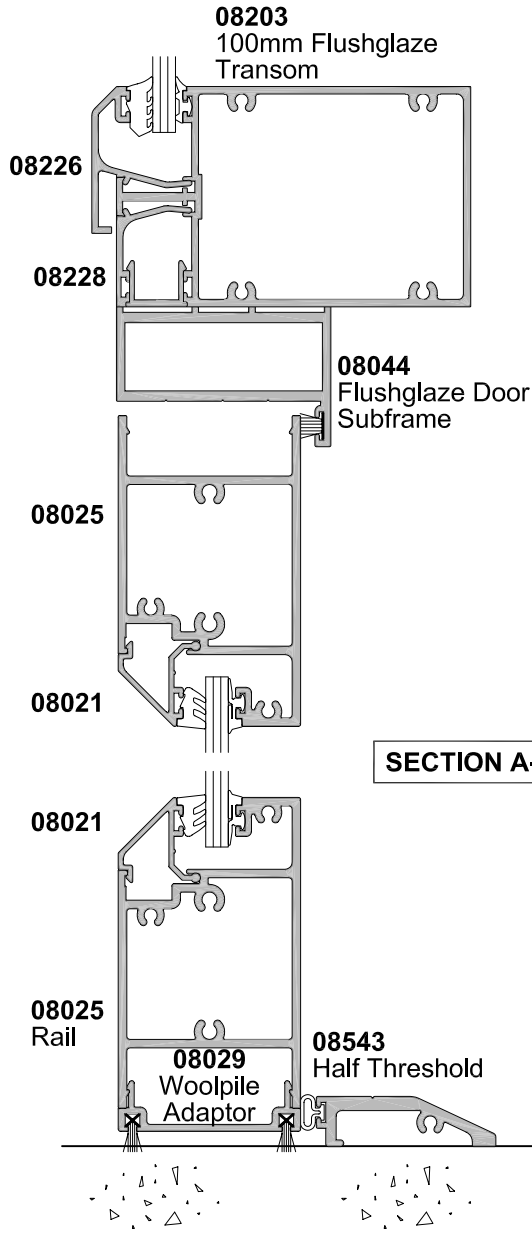


# MAGNUM 50

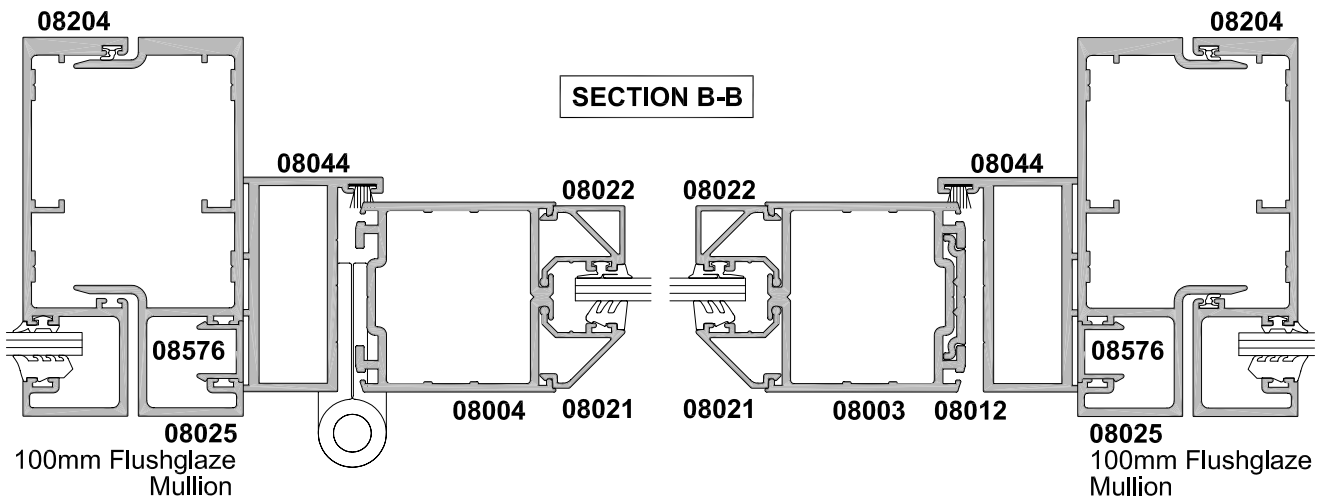
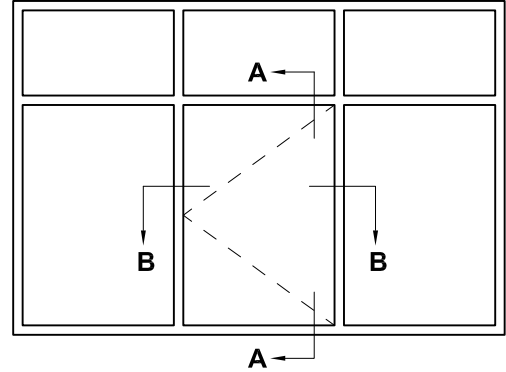
## A500CD HINGED DOOR INTO 100MM FLUSHGLAZE

### CROSS SECTION

Cad Ref. ACMD15-0 Scale 1:2 Date 01.01.09



**SECTION A-A**



**SECTION B-B**