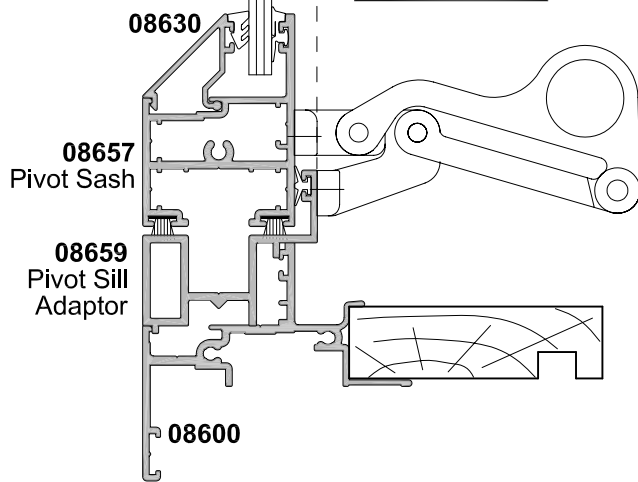
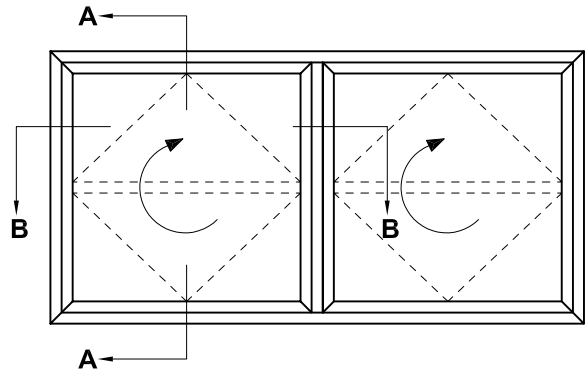
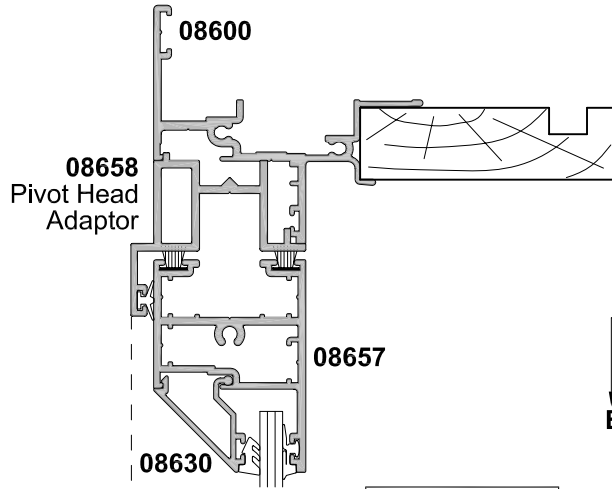
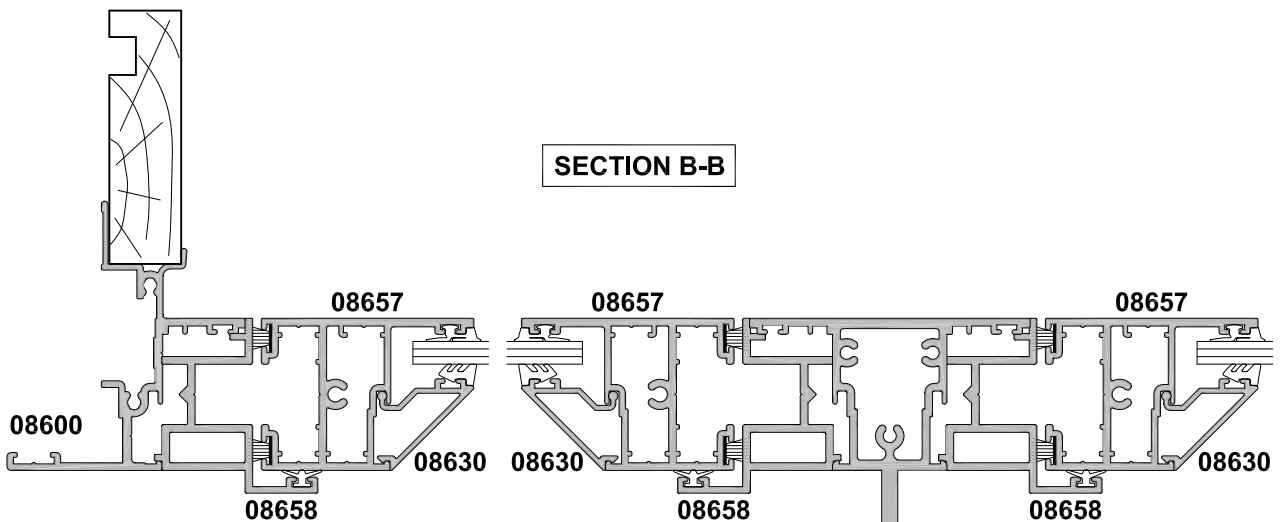


40MM WINDOW SERIES A100FS PIVOT WINDOW CROSS SECTION

Cad Ref. AC4008-0 Scale 1:2 Date 01.01.09



SECTION A-A



SECTION B-B

08615 External Fin Mullion
Refer to tables for
span requirements