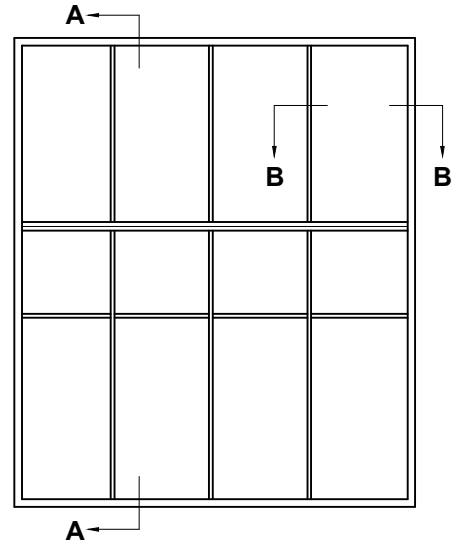
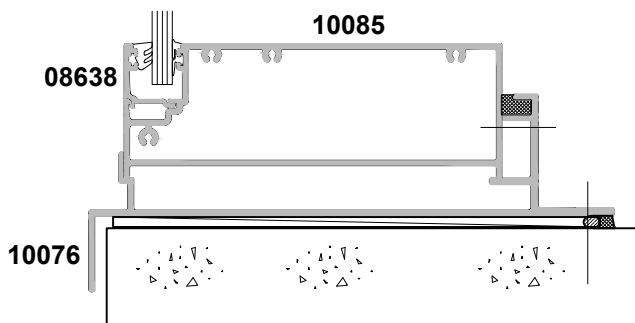
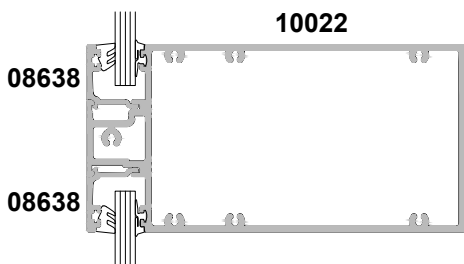
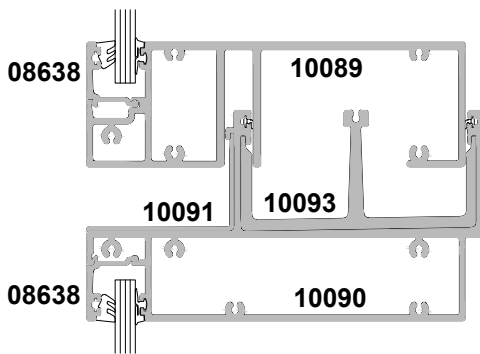
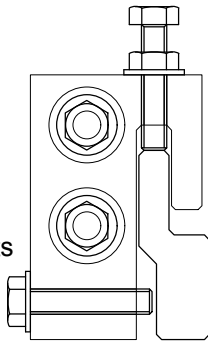
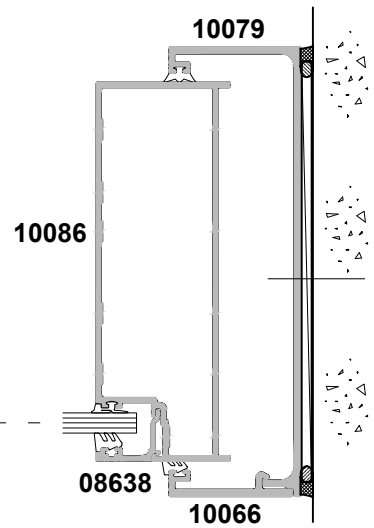


SECTION A-A

Deadload Brackets
(design specific)



SECTION B-B



Deadload Bracket
(design specific)

