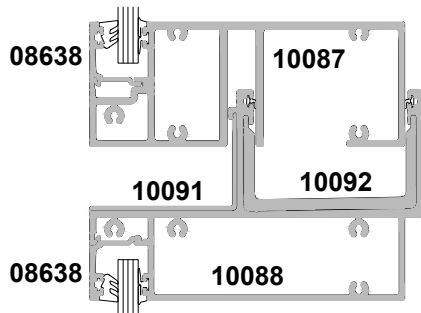
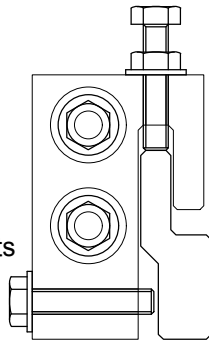
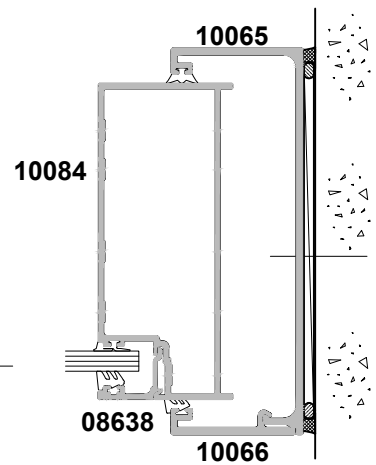
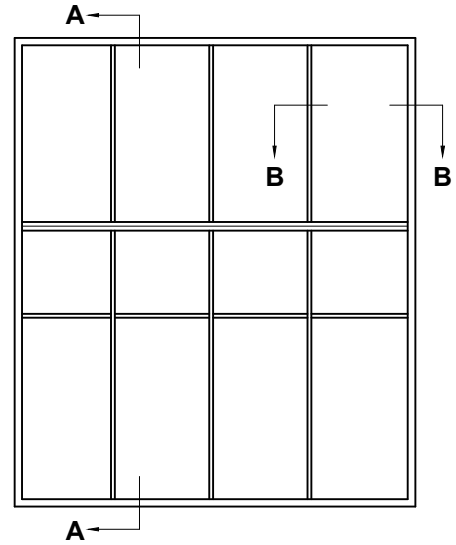
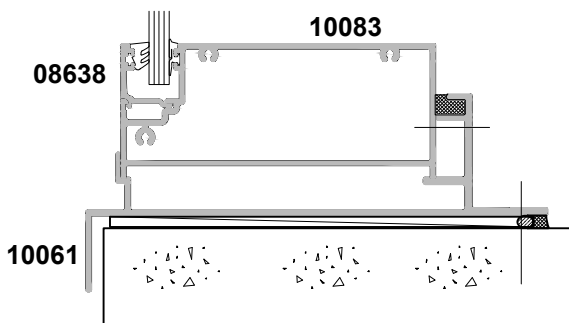
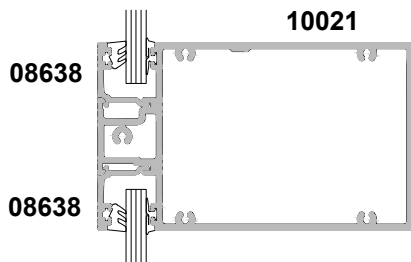


SECTION A-A

Deadload Brackets
(design specific)



SECTION A-A



SECTION B-B

Deadload Bracket
(design specific)

