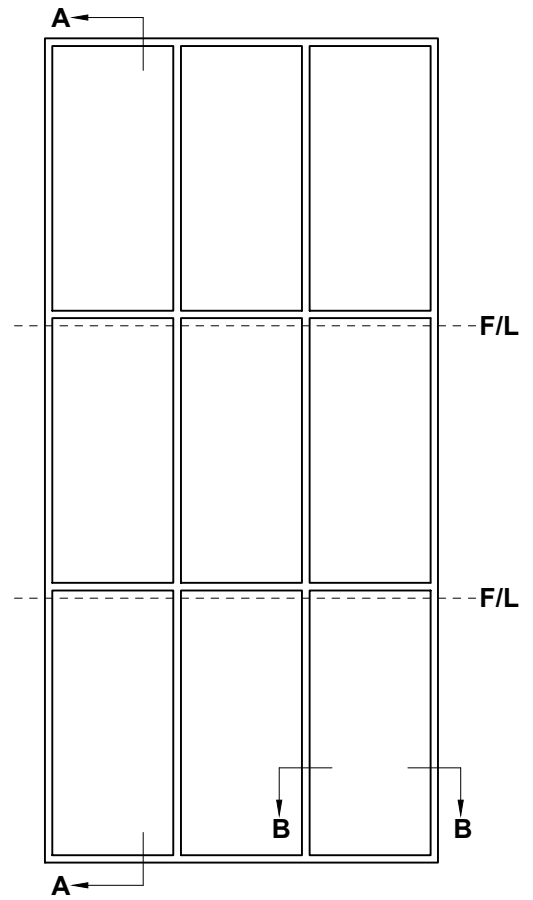
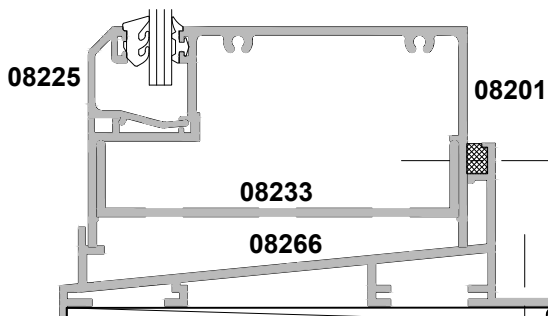
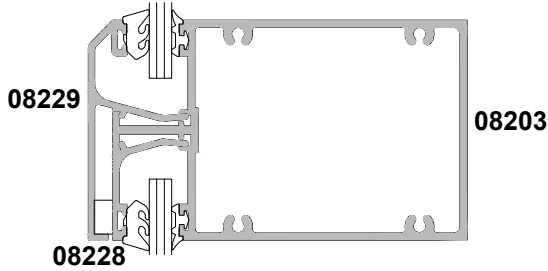
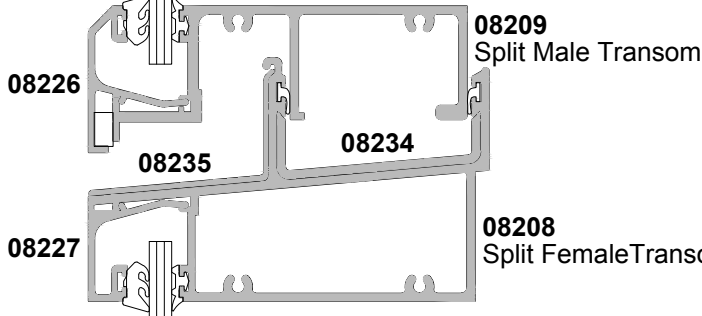
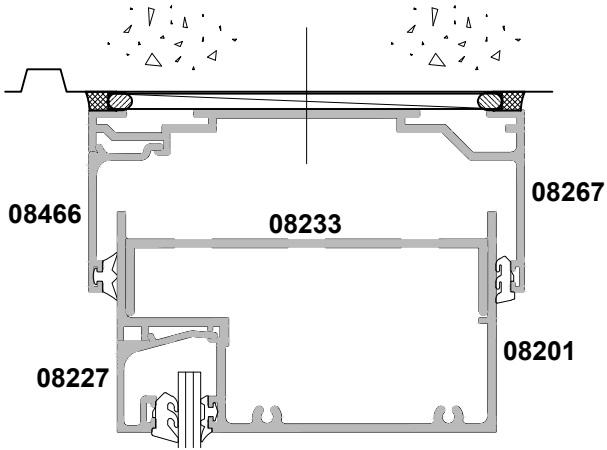


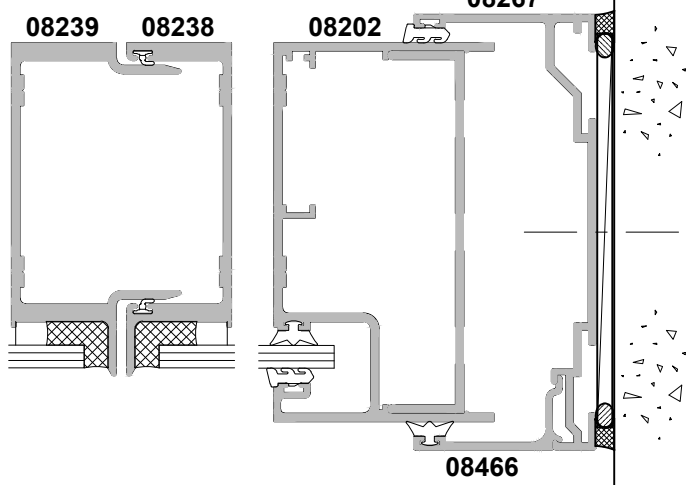
100MM FLUSHGLAZE, SINGLE GLAZED SEISMIC SYSTEM, STRUCTURALLY GLAZED MULLION CROSS SECTION

Cad Ref. ACFG02-0 Scale 1:2 Date 01.08.16

SECTION A-A



STRUCTURAL MULLION OPTION



SECTION B-B