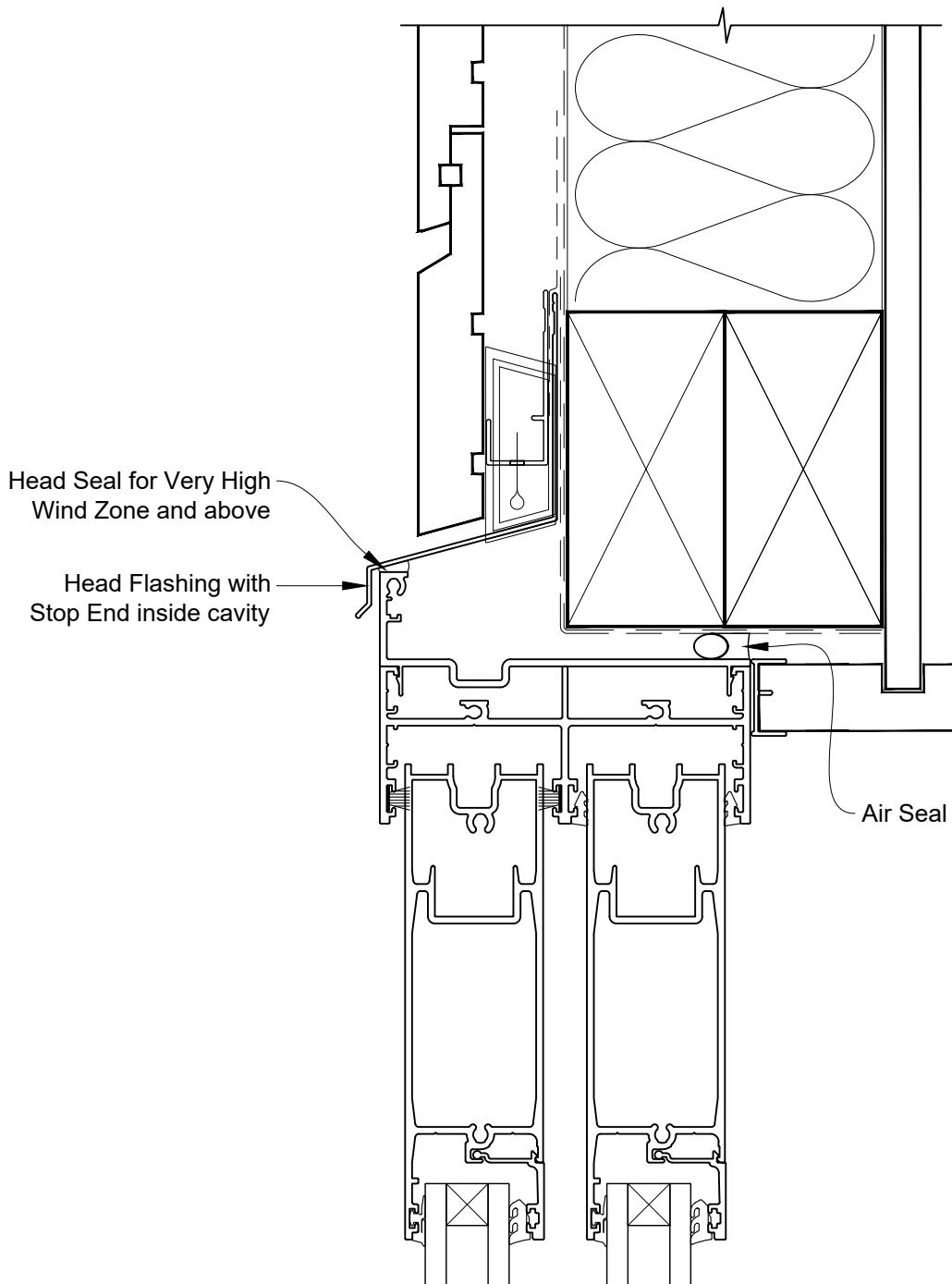


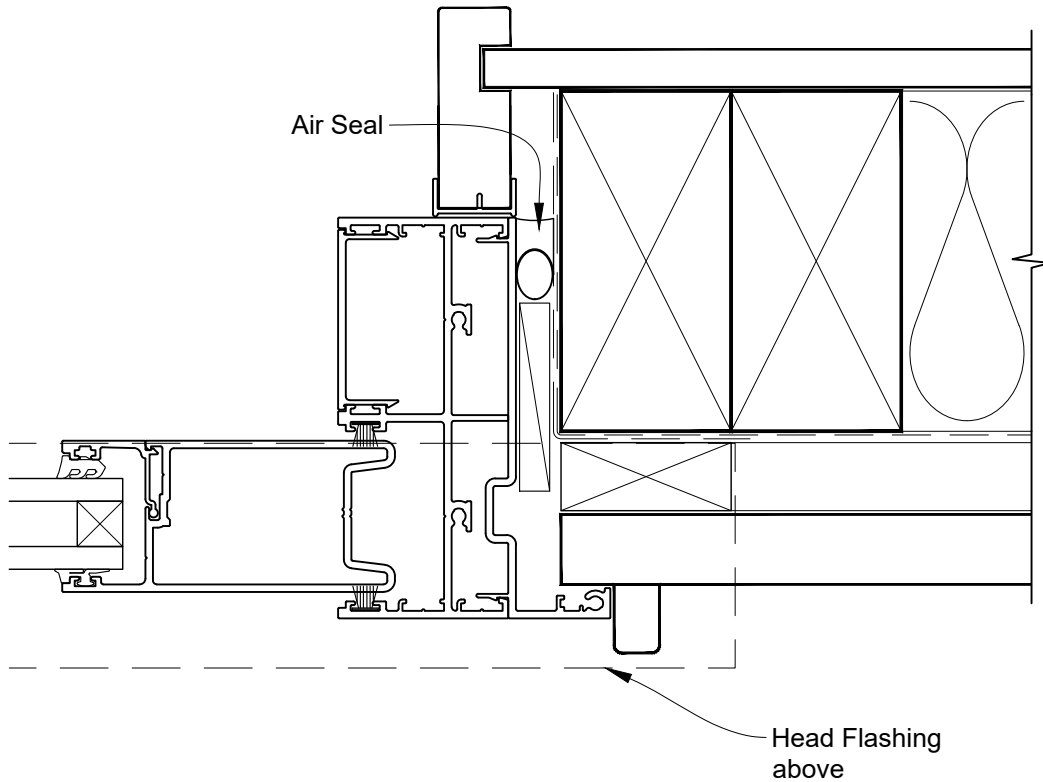
INSTALLATION DETAIL - ARCHITECTURAL SERIES SLIDING DOOR TWO TRACK ON RUSTICATED WEATHERBOARD CAVITY CONSTRUCTION

Date: 27.09.19 Scale: 1:2 CAD Ref.: ASS2RW-CH



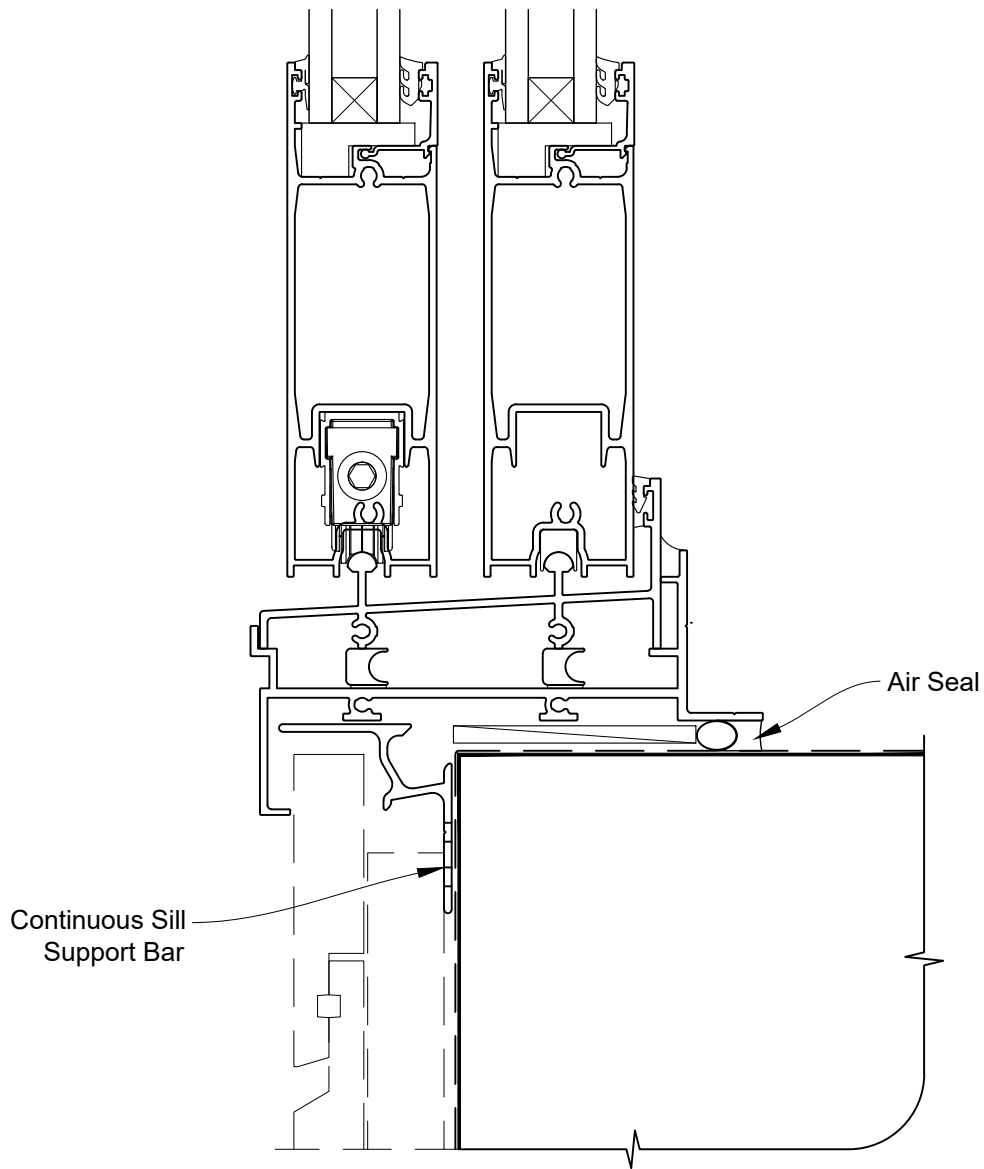
INSTALLATION DETAIL - ARCHITECTURAL SERIES SLIDING DOOR TWO TRACK ON RUSTICATED WEATHERBOARD CAVITY CONSTRUCTION

Date: 27.09.19 Scale: 1:2 CAD Ref.: ASS2RW-CJ



INSTALLATION DETAIL - ARCHITECTURAL SERIES SLIDING DOOR TWO TRACK ON RUSTICATED WEATHERBOARD CAVITY CONSTRUCTION

Date: 27.09.19 Scale: 1:2 CAD Ref.: ASS2RW-CS

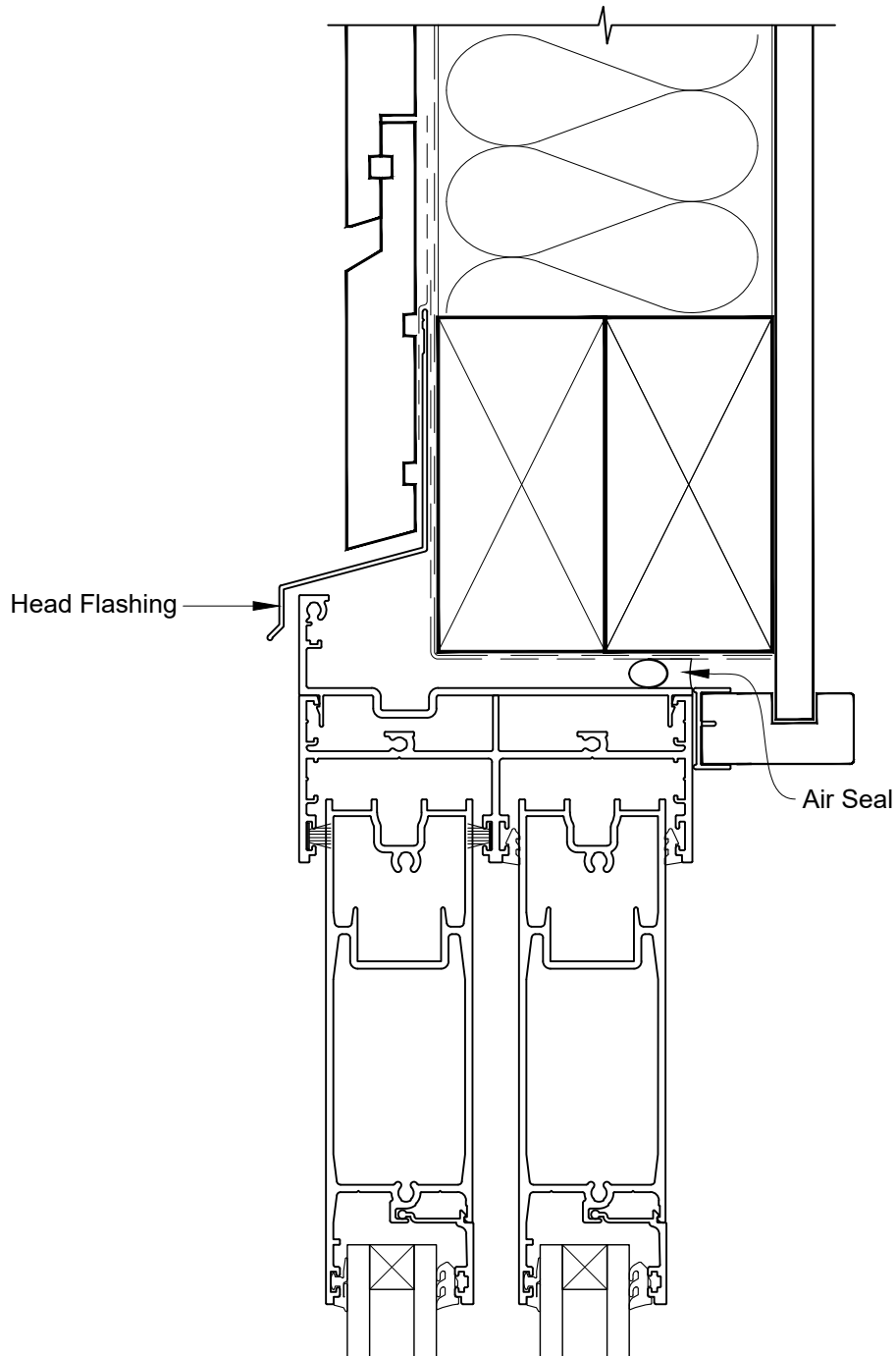


INSTALLATION DETAIL - ARCHITECTURAL 106mm SERIES SLIDING DOOR TWO TRACK ON RUSTICATED WEATHERBOARD DIRECT FIXED CLADDING

Date: 27.09.19

Scale: 1:2

CAD Ref.: ASS2RW-DH

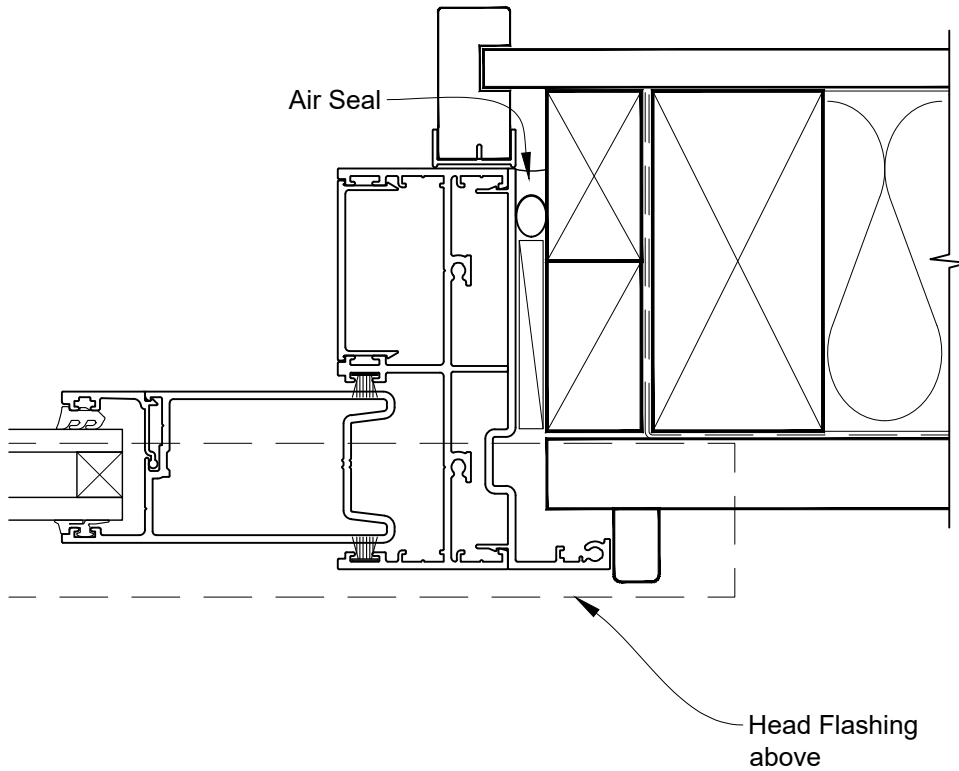


INSTALLATION DETAIL - ARCHITECTURAL 106mm SERIES SLIDING DOOR TWO TRACK ON RUSTICATED WEATHERBOARD DIRECT FIXED CLADDING

Date: 27.09.19

Scale: 1:2

CAD Ref.: ASS2RW-DJ



INSTALLATION DETAIL - ARCHITECTURAL 106mm SERIES SLIDING DOOR TWO TRACK ON RUSTICATED WEATHERBOARD DIRECT FIXED CLADDING

Date: 27.09.19

Scale: 1:2

CAD Ref.: ASS2RW-DS

