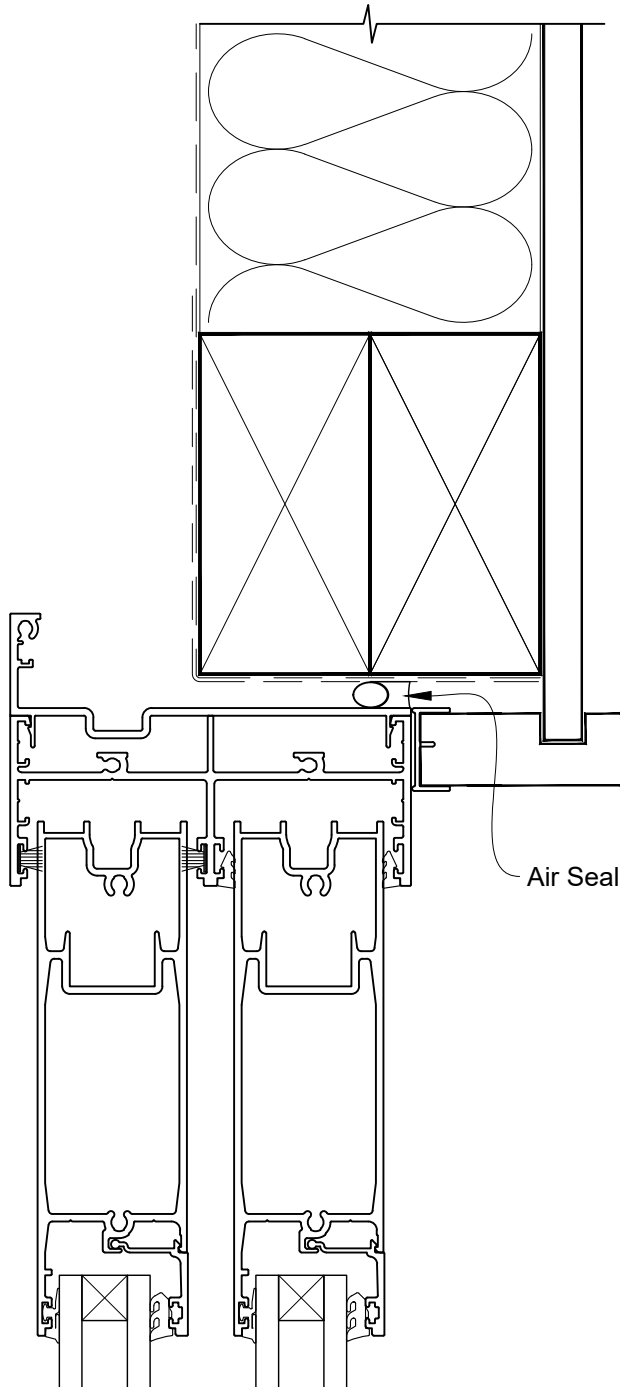


INSTALLATION DETAIL - ARCHITECTURAL SERIES SLIDING DOOR TWO TRACK ON NO CLADDING CAVITY CONSTRUCTION

Date: 27.09.19

Scale: 1:2

CAD Ref.: ASS2NC-MODEL

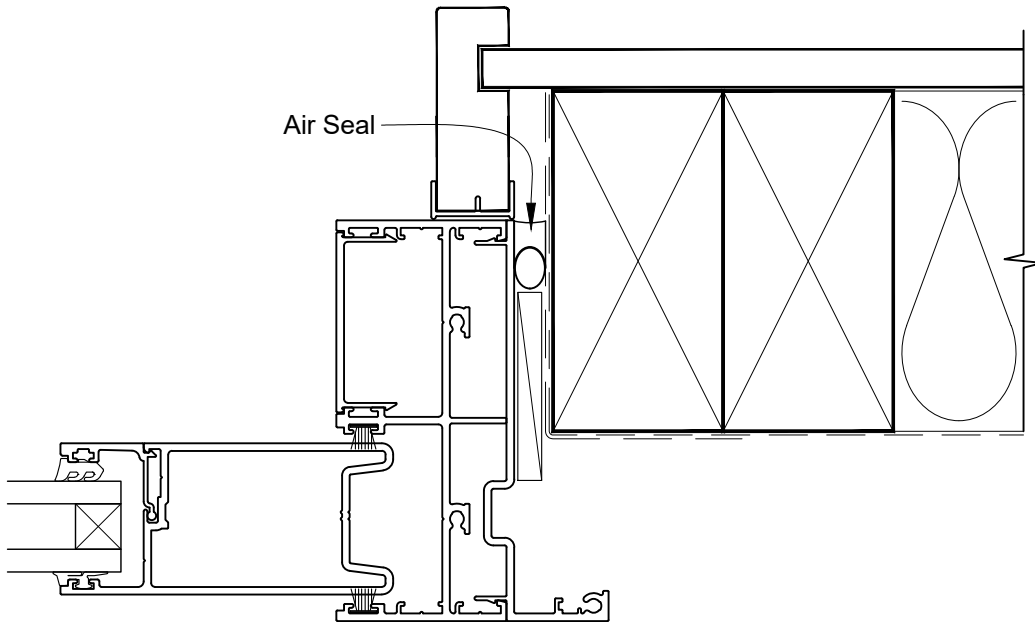


INSTALLATION DETAIL - ARCHITECTURAL SERIES SLIDING DOOR TWO TRACK ON NO CLADDING CAVITY CONSTRUCTION

Date: 27.09.19

Scale: 1:2

CAD Ref.: ASS2NC-MODEL

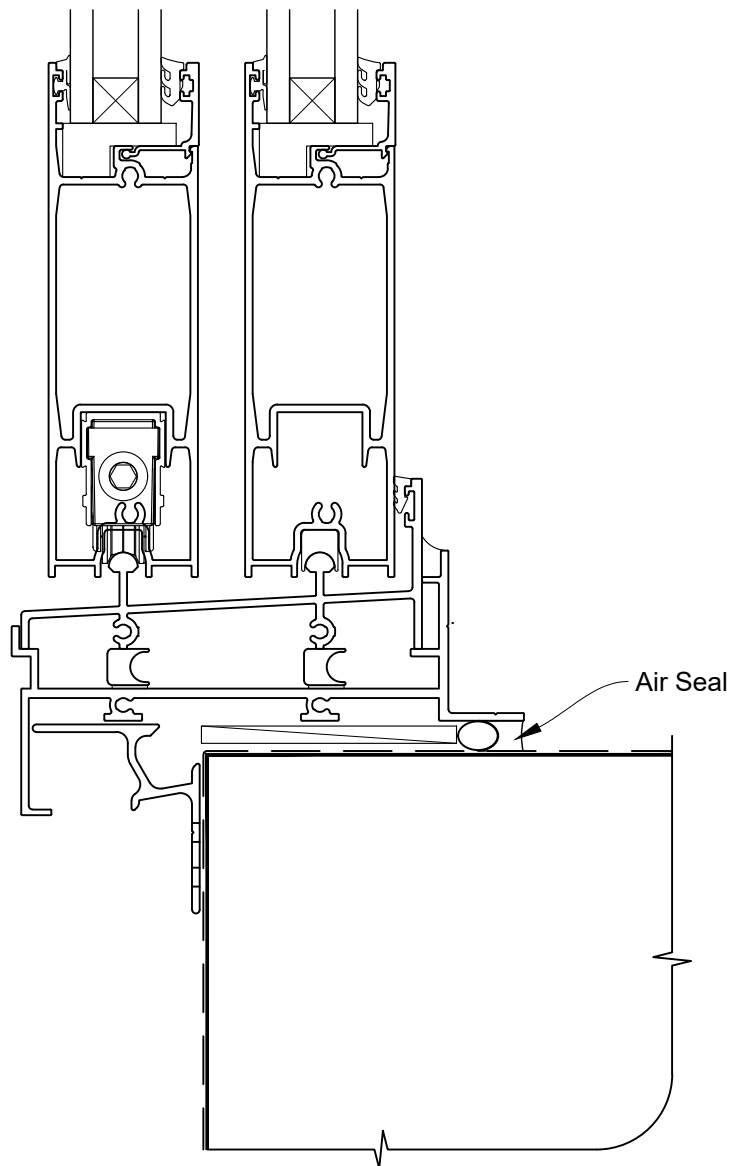


INSTALLATION DETAIL - ARCHITECTURAL SERIES SLIDING DOOR TWO TRACK ON NO CLADDING CAVITY CONSTRUCTION

Date: 27.09.19

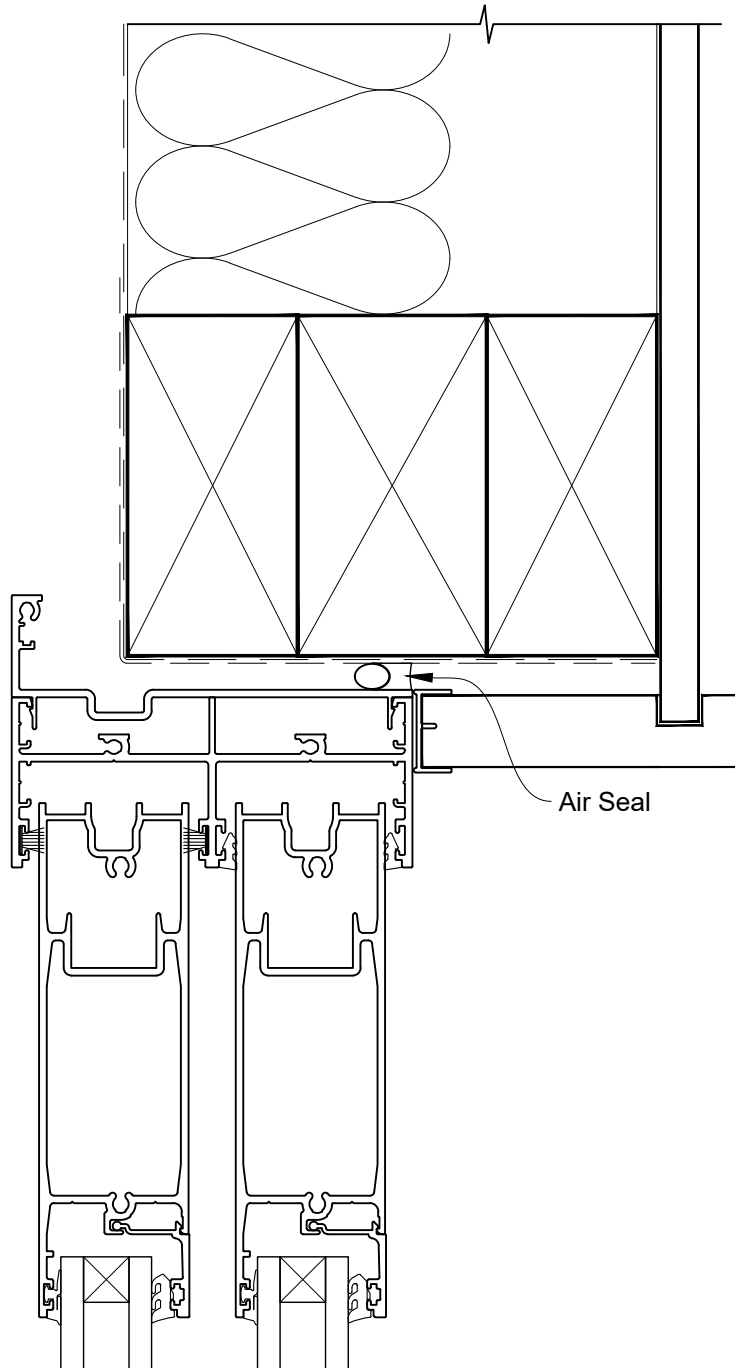
Scale: 1:2

CAD Ref.: ASS2NC-MODEL



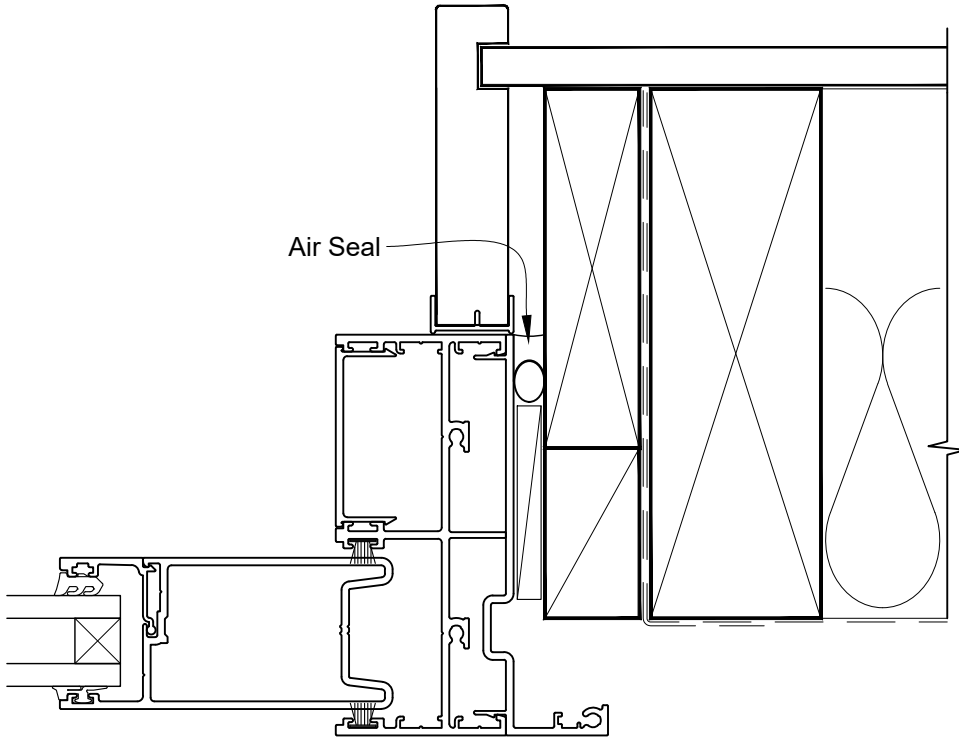
**INSTALLATION DETAIL - ARCHITECTURAL SERIES
SLIDING DOOR TWO TRACK ON NO CLADDING
DIRECT FIXED CLADDING**

Date: 27.09.19 Scale: 1:2 CAD Ref.: ASS2NC-MODEL



**INSTALLATION DETAIL - ARCHITECTURAL SERIES
SLIDING DOOR TWO TRACK ON NO CLADDING
DIRECT FIXED CLADDING**

Date: 27.09.19 Scale: 1:2 CAD Ref.: ASS2NC-MODEL



**INSTALLATION DETAIL - ARCHITECTURAL SERIES
SLIDING DOOR TWO TRACK ON NO CLADDING
DIRECT FIXED CLADDING**

Date: 27.09.19

Scale: 1:2

CAD Ref.: ASS2NC-MODEL

