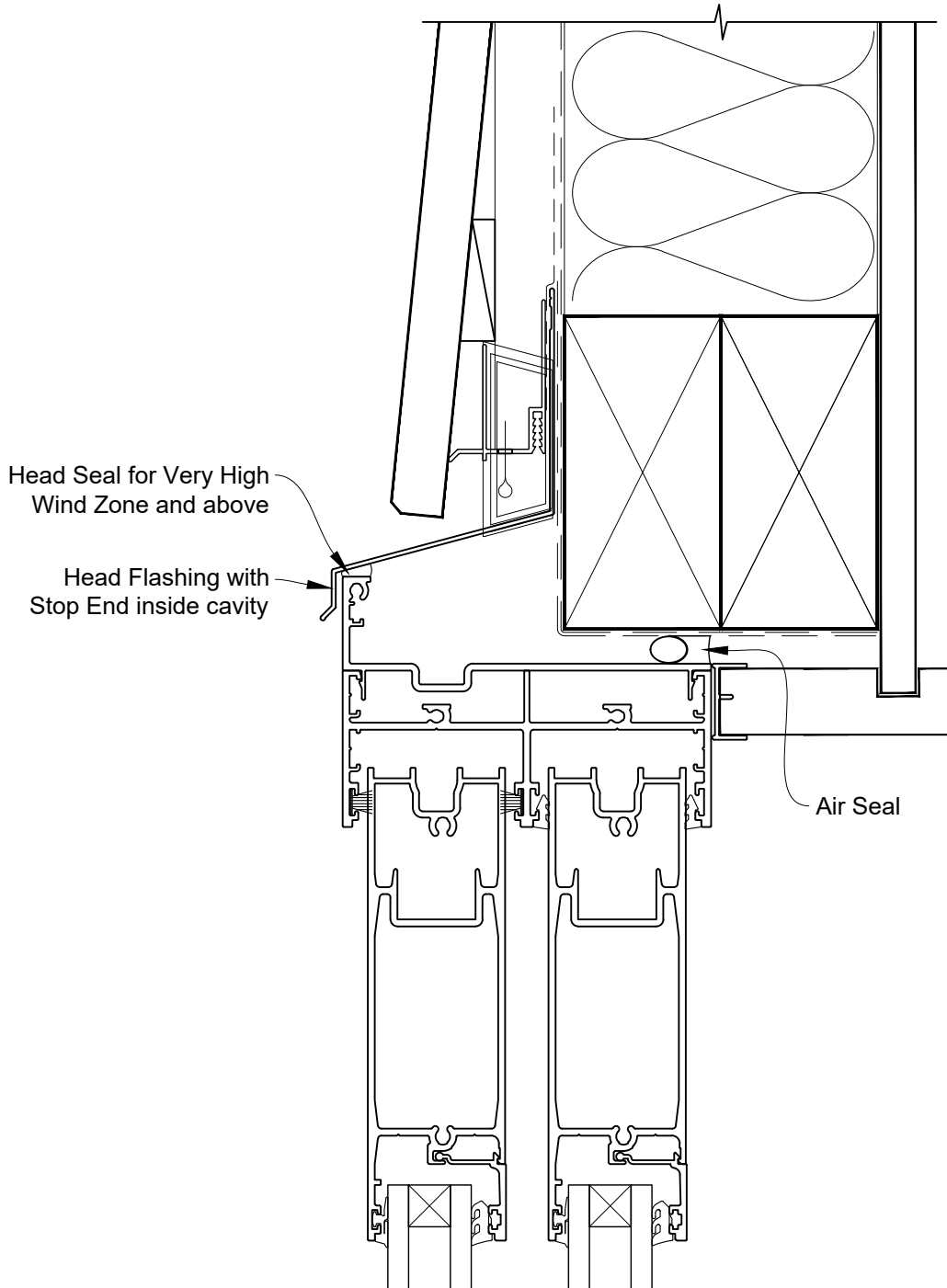


INSTALLATION DETAIL - ARCHITECTURAL SERIES SLIDING DOOR TWO TRACK ON BEVELBACK WEATHERBOARD CAVITY CONSTRUCTION

Date: 27.09.19

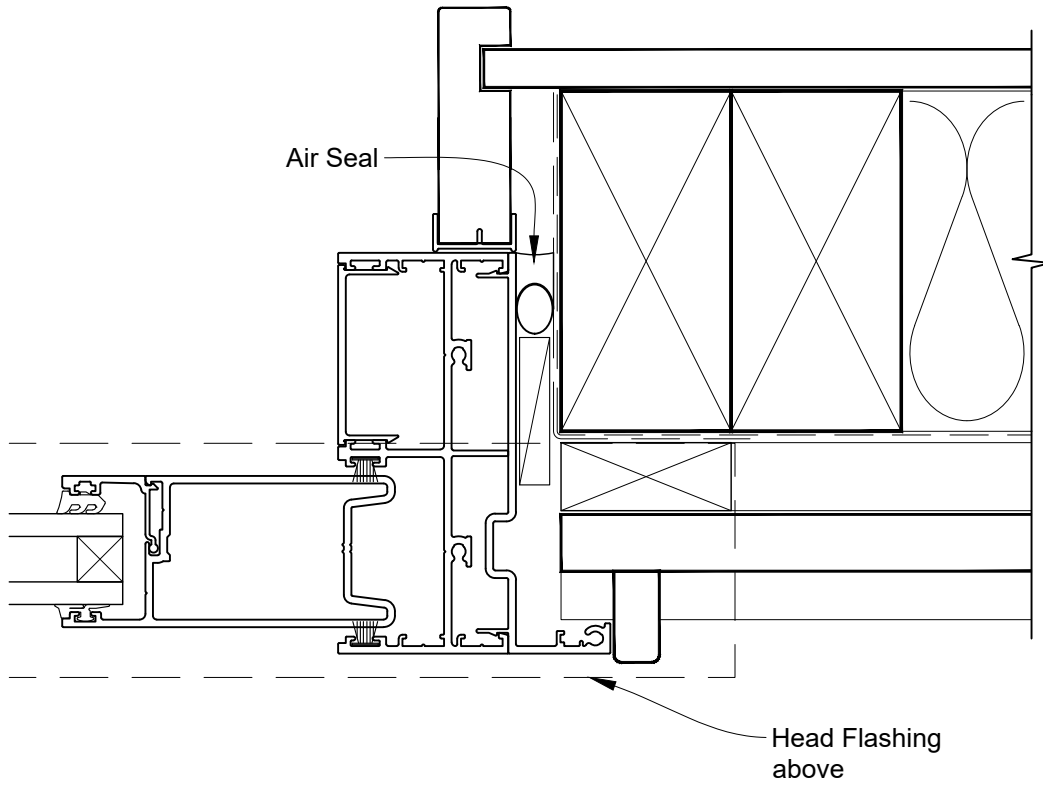
Scale: 1:2

CAD Ref.: ASS2BW-CH



INSTALLATION DETAIL - ARCHITECTURAL SERIES SLIDING DOOR TWO TRACK ON BEVELBACK WEATHERBOARD CAVITY CONSTRUCTION

Date: 27.09.19 Scale: 1:2 CAD Ref.: ASS2BW-CJ

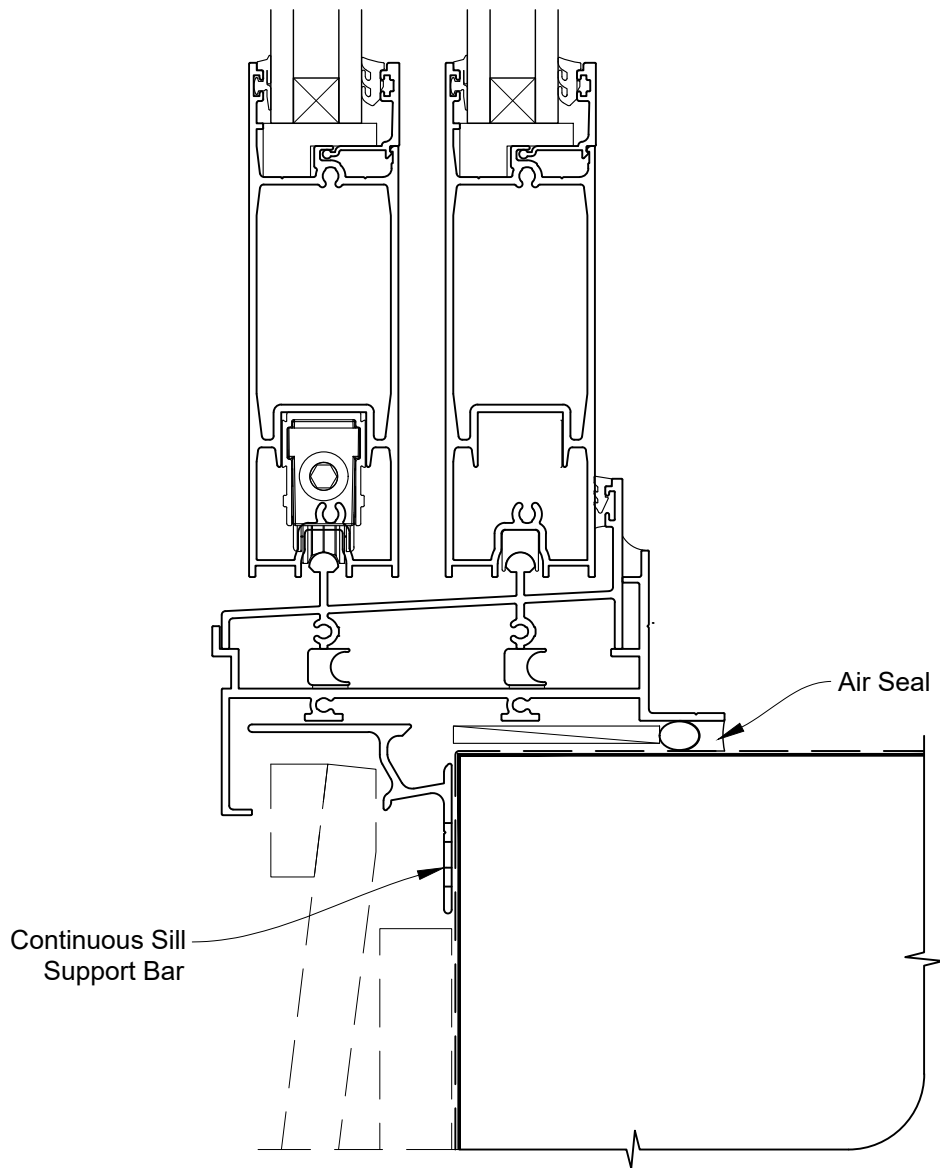


INSTALLATION DETAIL - ARCHITECTURAL SERIES SLIDING DOOR TWO TRACK ON BEVELBACK WEATHERBOARD CAVITY CONSTRUCTION

Date: 27.09.19

Scale: 1:2

CAD Ref.: ASS2BW-CS

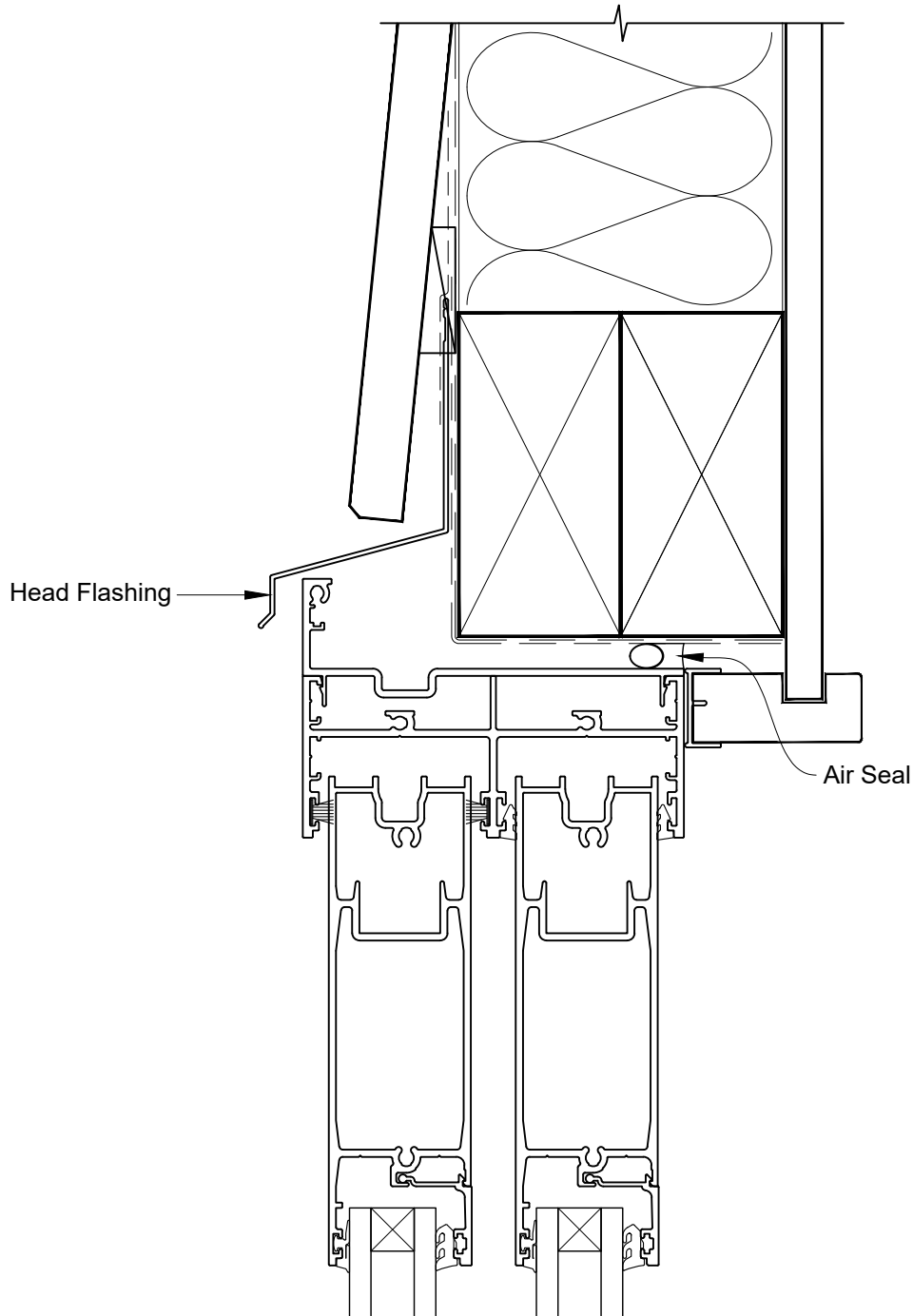


INSTALLATION DETAIL - ARCHITECTURAL SERIES SLIDING DOOR TWO TRACK ON BEVELBACK WEATHERBOARD DIRECT FIXED CLADDING

Date: 27.09.19

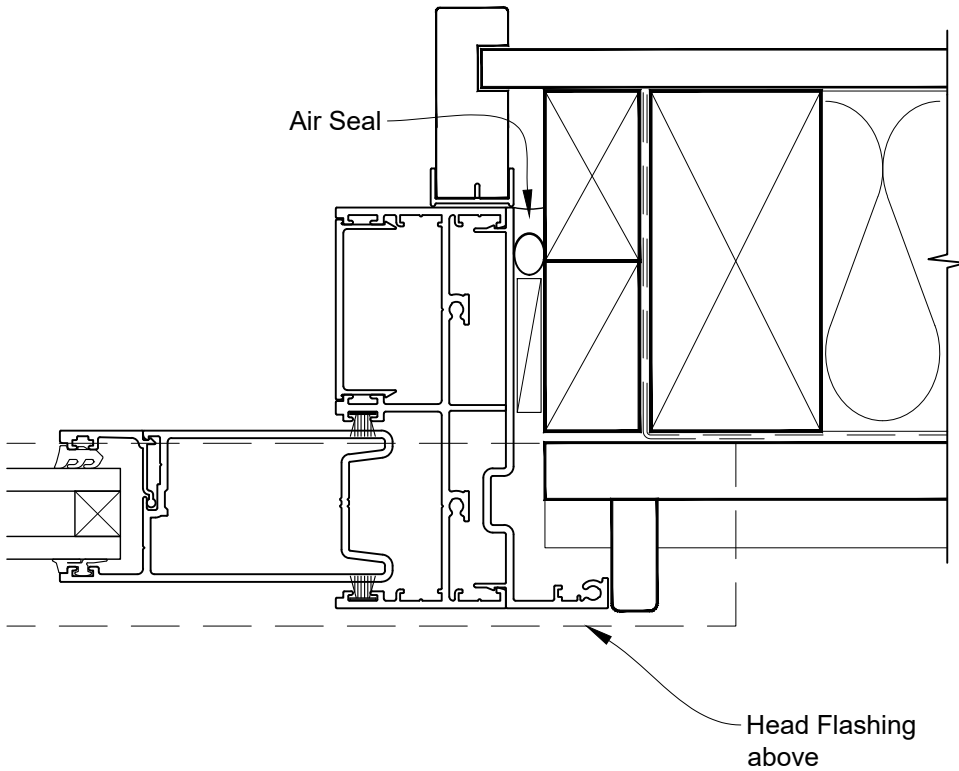
Scale: 1:2

CAD Ref.: ASS2BW-DH



INSTALLATION DETAIL - ARCHITECTURAL SERIES SLIDING DOOR TWO TRACK ON BEVELBACK WEATHERBOARD DIRECT FIXED CLADDING

Date: 27.09.19 Scale: 1:2 CAD Ref.: ASS2BW-DJ



INSTALLATION DETAIL - ARCHITECTURAL SERIES SLIDING DOOR TWO TRACK ON BEVELBACK WEATHERBOARD DIRECT FIXED CLADDING

Date: 27.09.19

Scale: 1:2

CAD Ref.: ASS2BW-DS

