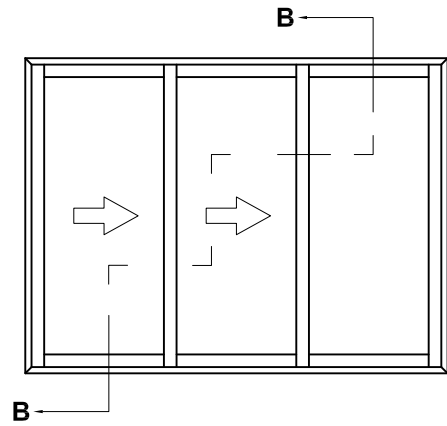
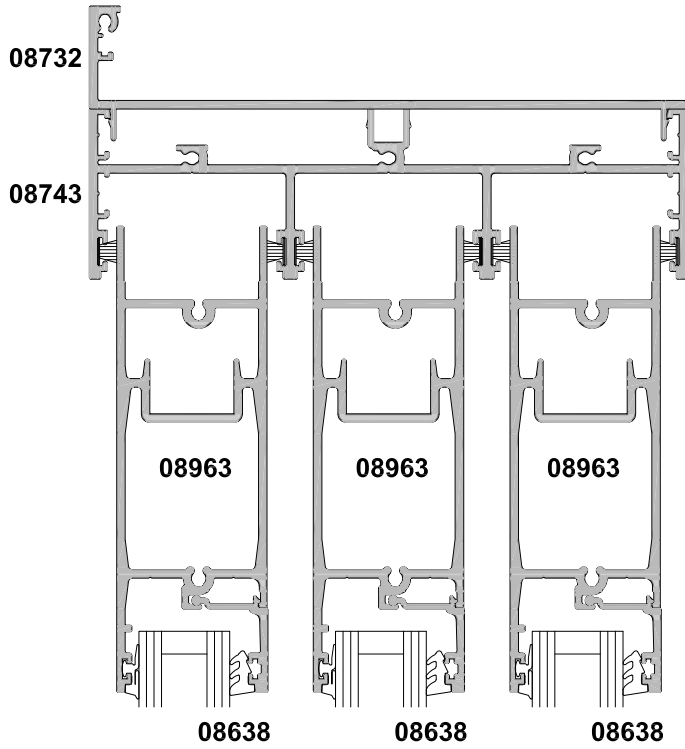


**APL ARCHITECTURAL SERIES**  
**SLIDING DOOR - TRIPLE TRACK, 3 PANEL FLUSHLINE**  
**CROSS SECTION**

Cad Ref. AASD32-0    Scale 1:2    Date 27.09.19



**SECTION B-B**

