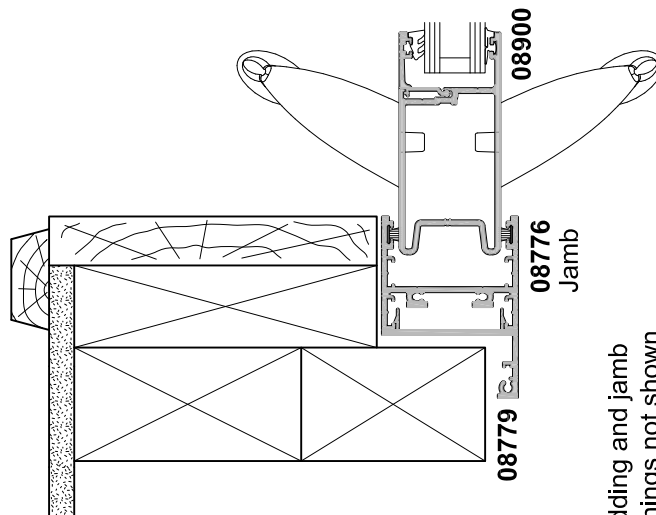
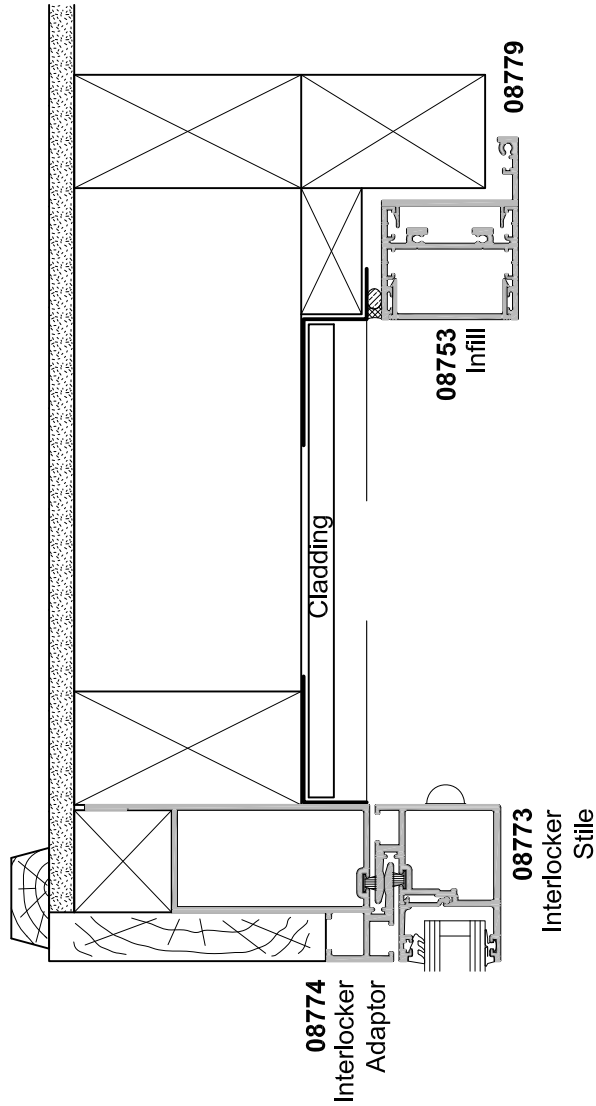
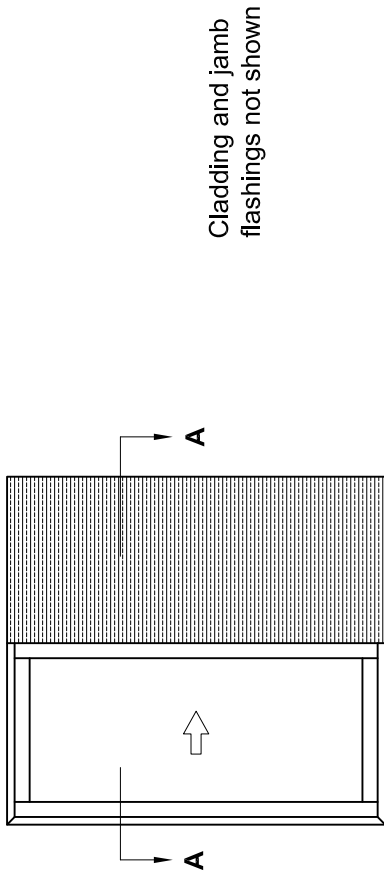


APL ARCHITECTURAL SERIES SLIDING DOOR - SINGLE PANEL OVER WALL CROSS SECTION

Cad Ref. AASD11-0 Scale 1:3 Date 01.10.16



SECTION A-A

NOTE: This detail is typical only and may differ for various claddings and building in situations.
Contact APL Technical Advisory Service for more information