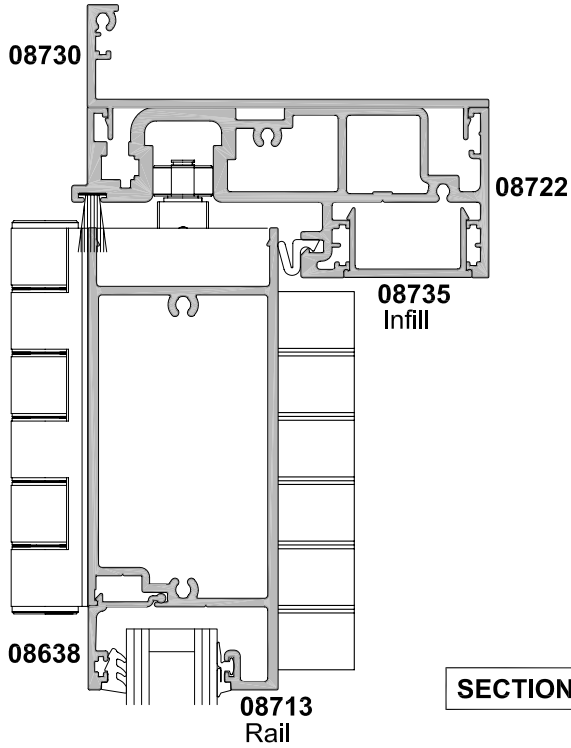
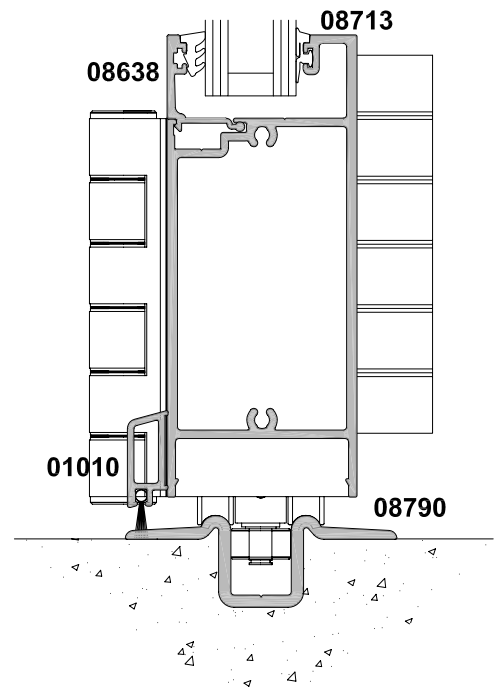
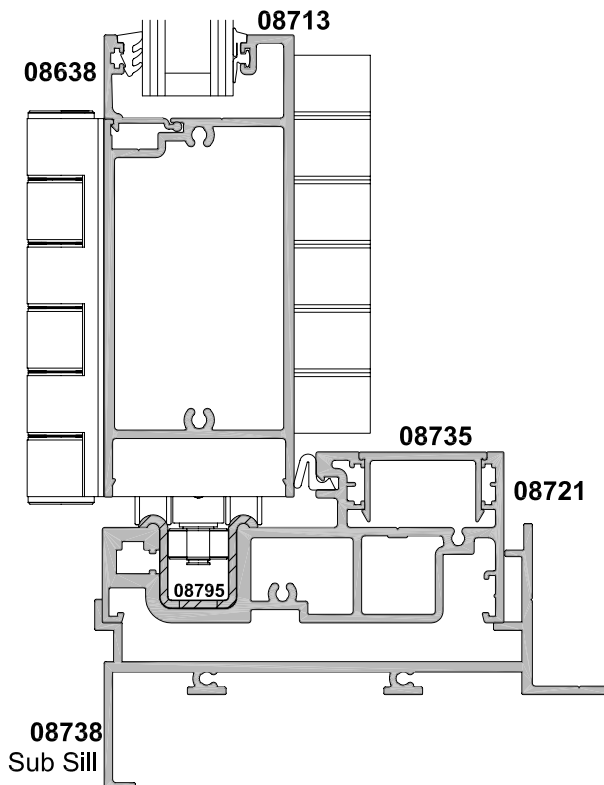
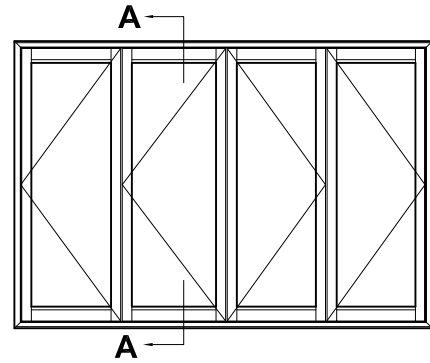


APL ARCHITECTURAL SERIES
A600AS TYPICAL BI-FOLD DOOR
CROSS SECTION

Cad Ref. AABD03-0 Scale 1:2 Date 01.01.09



SECTION A-A



FLUSH SILL OPTION
 For sheltered locations only