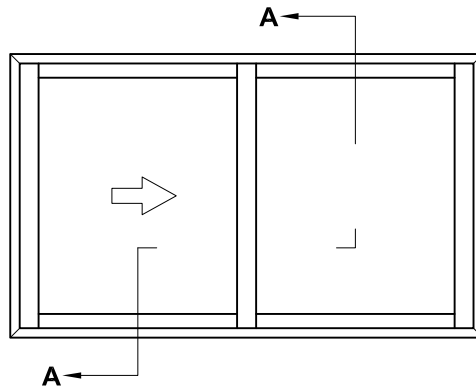


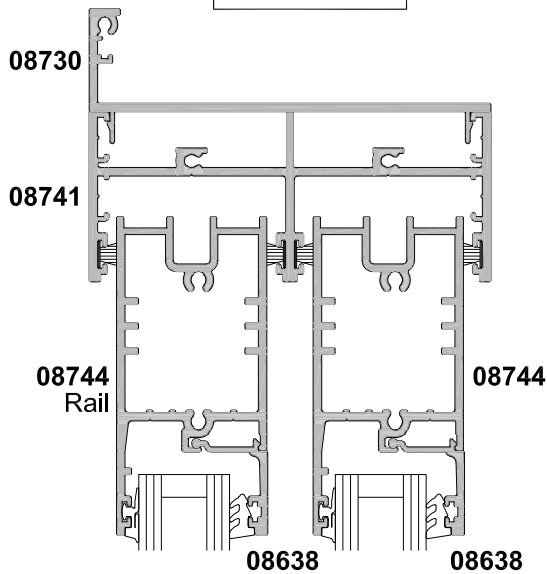
APL ARCHITECTURAL SERIES - SLIDING WINDOW TWIN TRACK TWO PANEL SF (VERTICAL)

CROSS SECTION

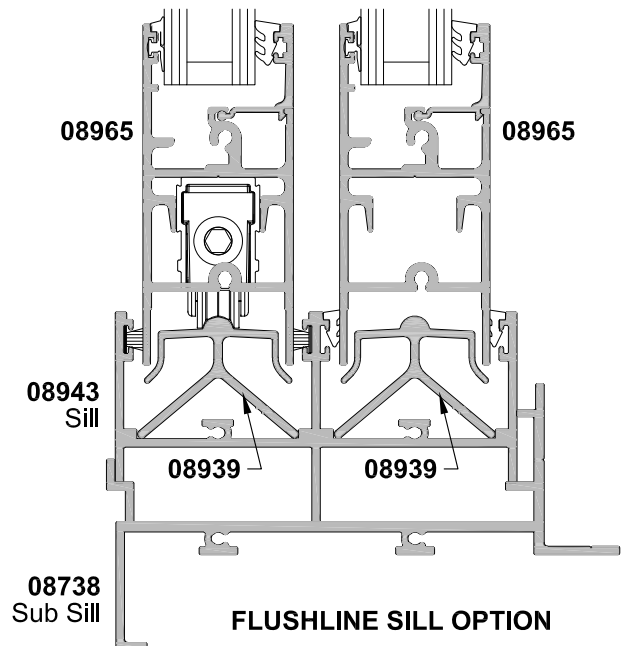
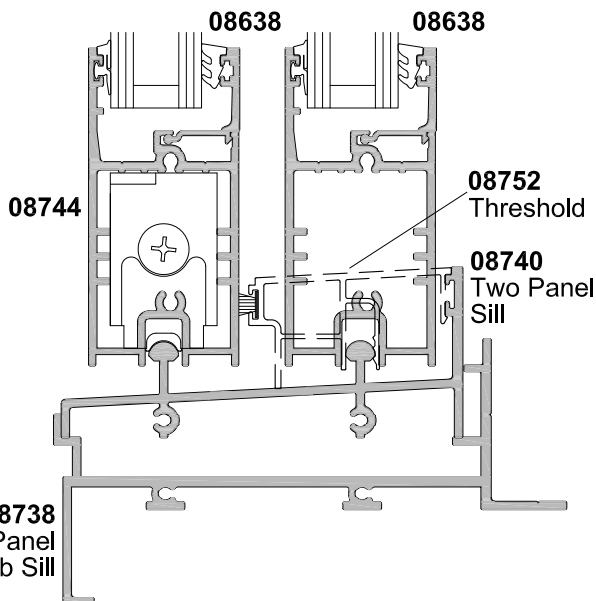
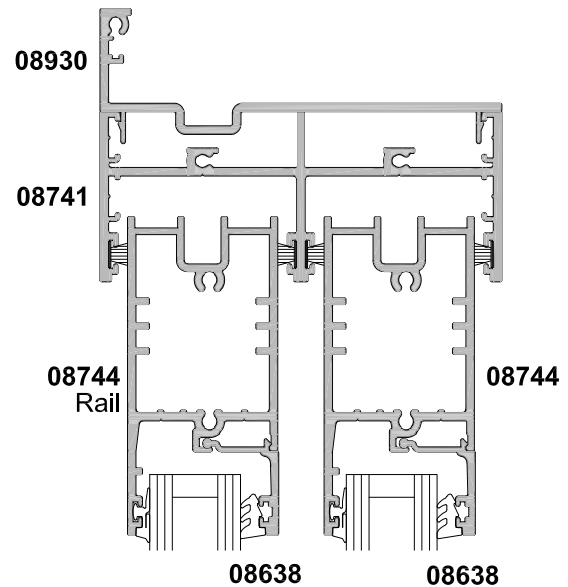
Cad Ref. AASW03-0 Scale 1:2 Date 27.09.19



SECTION A-A



106mm DRAINED FACING OPTION



FLUSHLINE SILL OPTION