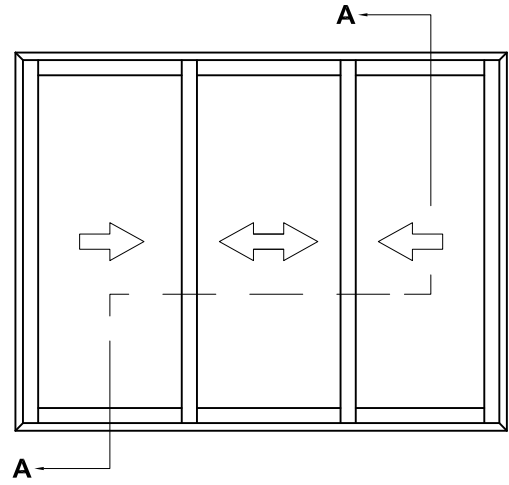
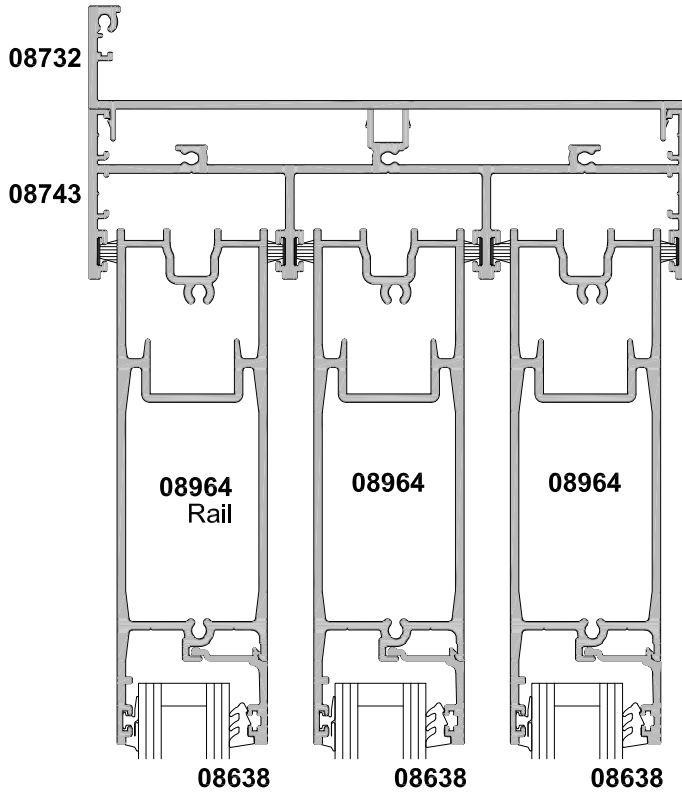


APL ARCHITECTURAL SERIES 3 PANEL BYPASS SLIDING DOOR CROSS SECTION

Cad Ref. AASD22-0 Scale 1:2 Date 27.09.19



SECTION A-A

