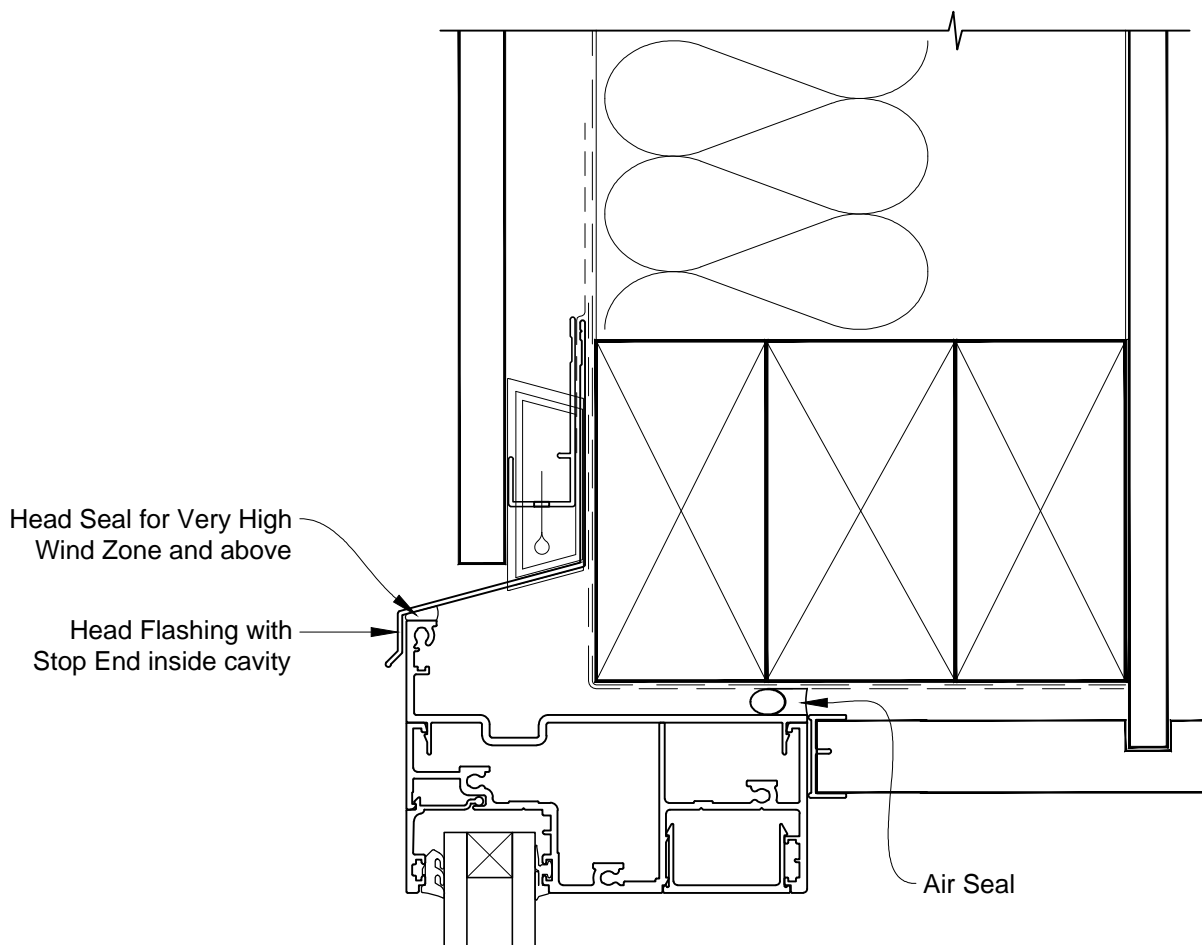


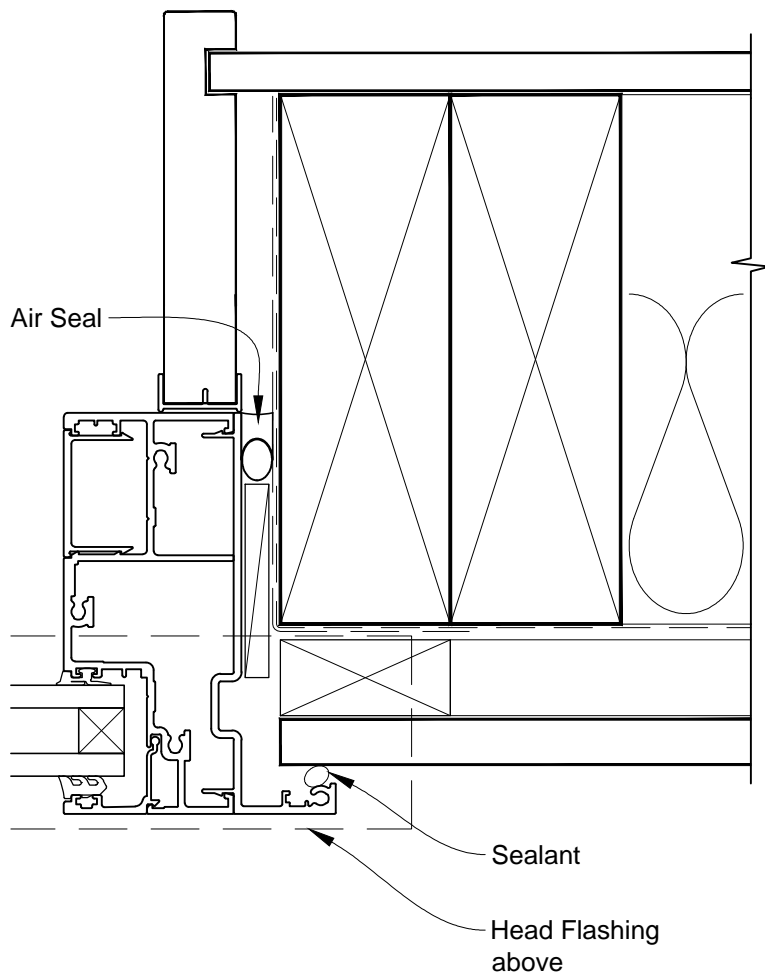
INSTALLATION DETAIL - ARCHITECTURAL 106mm SERIES AWNING WINDOW ON FLAT SHEET CAVITY CONSTRUCTION

Date: 01.03.14 Scale: 1:2 CAD Ref.: ASAW106FS-CH



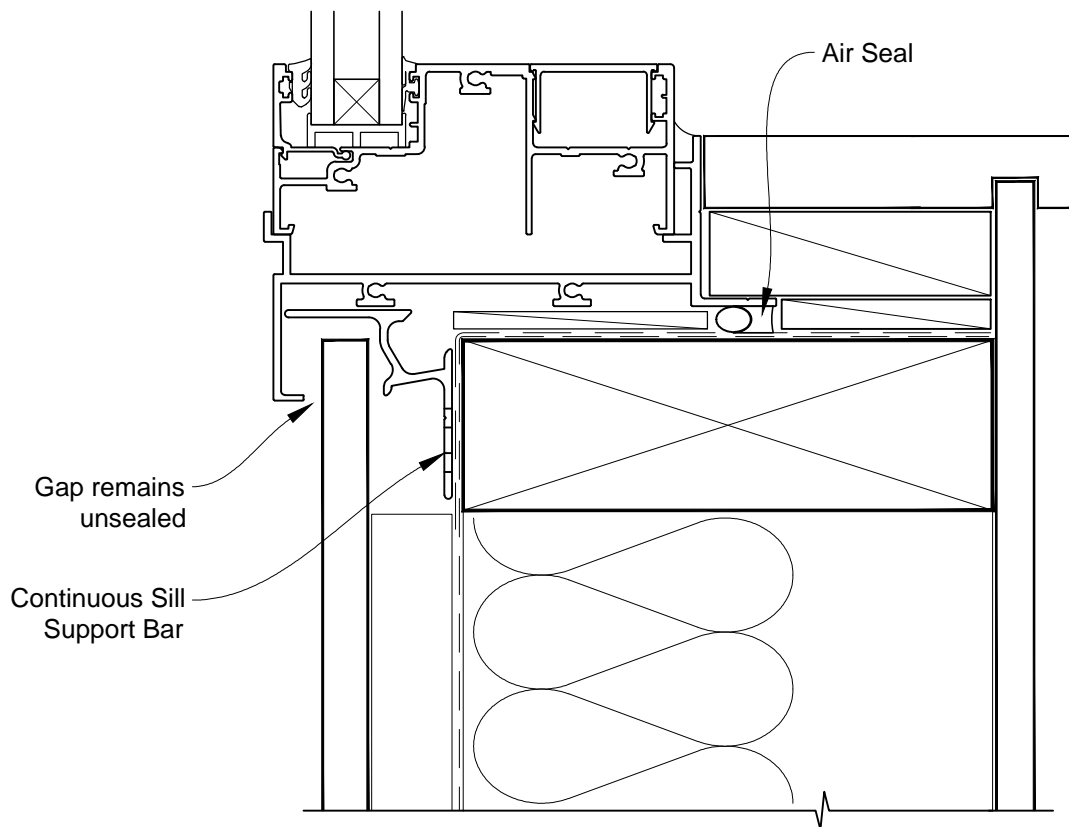
INSTALLATION DETAIL - ARCHITECTURAL 106mm SERIES AWNING WINDOW ON FLAT SHEET CAVITY CONSTRUCTION

Date: 01.03.14 Scale: 1:2 CAD Ref.: ASAW106FS-CJ



INSTALLATION DETAIL - ARCHITECTURAL 106mm SERIES AWNING WINDOW ON FLAT SHEET CAVITY CONSTRUCTION

Date: 01.03.14 Scale: 1:2 CAD Ref.: ASAW106FS-CS

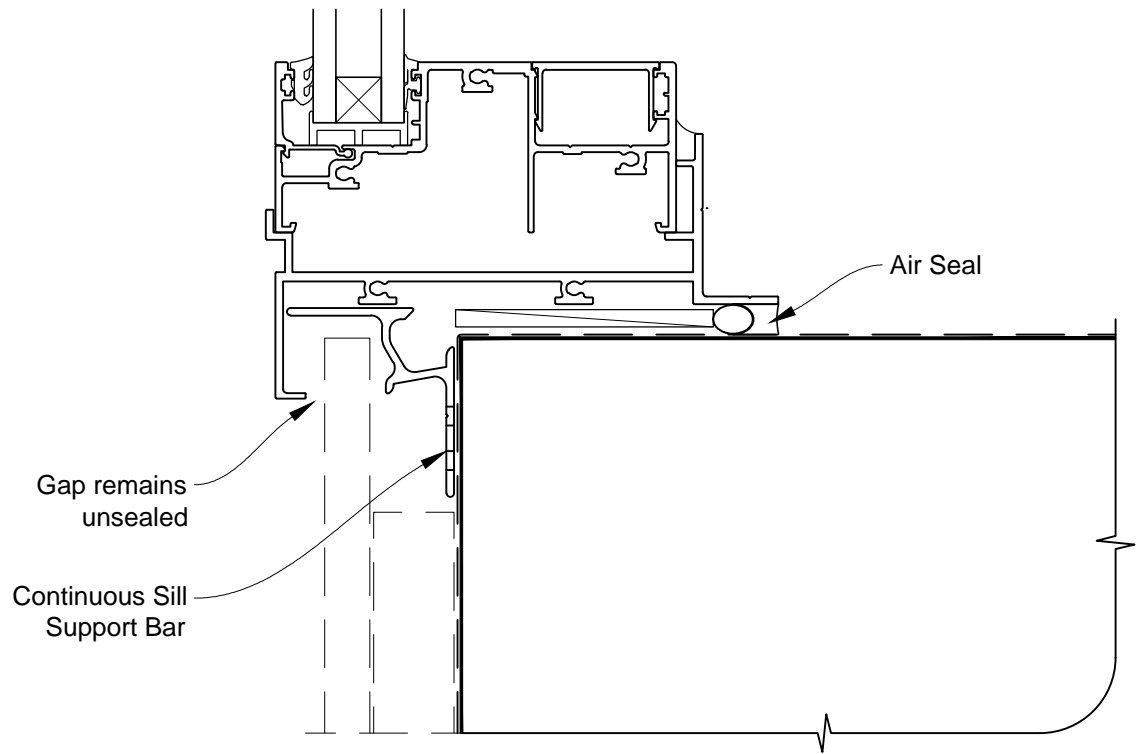


INSTALLATION DETAIL - ARCHITECTURAL 106mm SERIES AWNING WINDOW ON FLAT SHEET CAVITY CONSTRUCTION

Date: 01.03.14

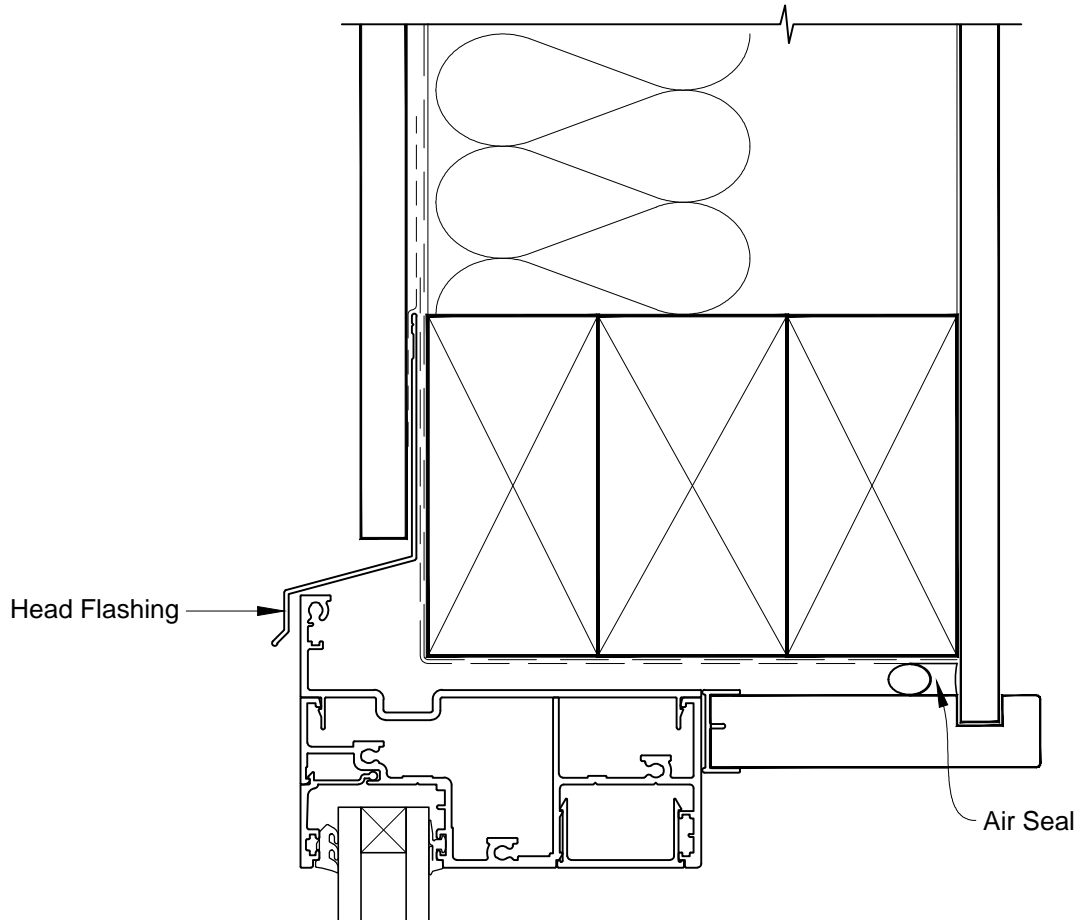
Scale: 1:2

CAD Ref.: ASAW106FS-CS2



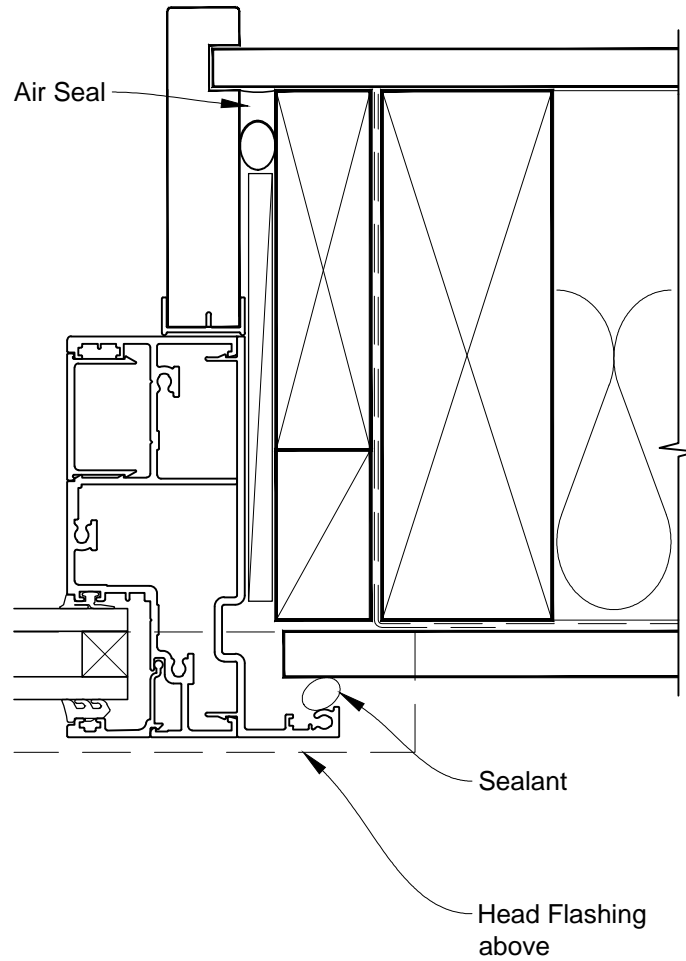
INSTALLATION DETAIL - ARCHITECTURAL 106mm SERIES AWNING WINDOW ON FLAT SHEET DIRECT FIXED CLADDING

Date: 01.03.14 Scale: 1:2 CAD Ref.: ASAW106FS-DH



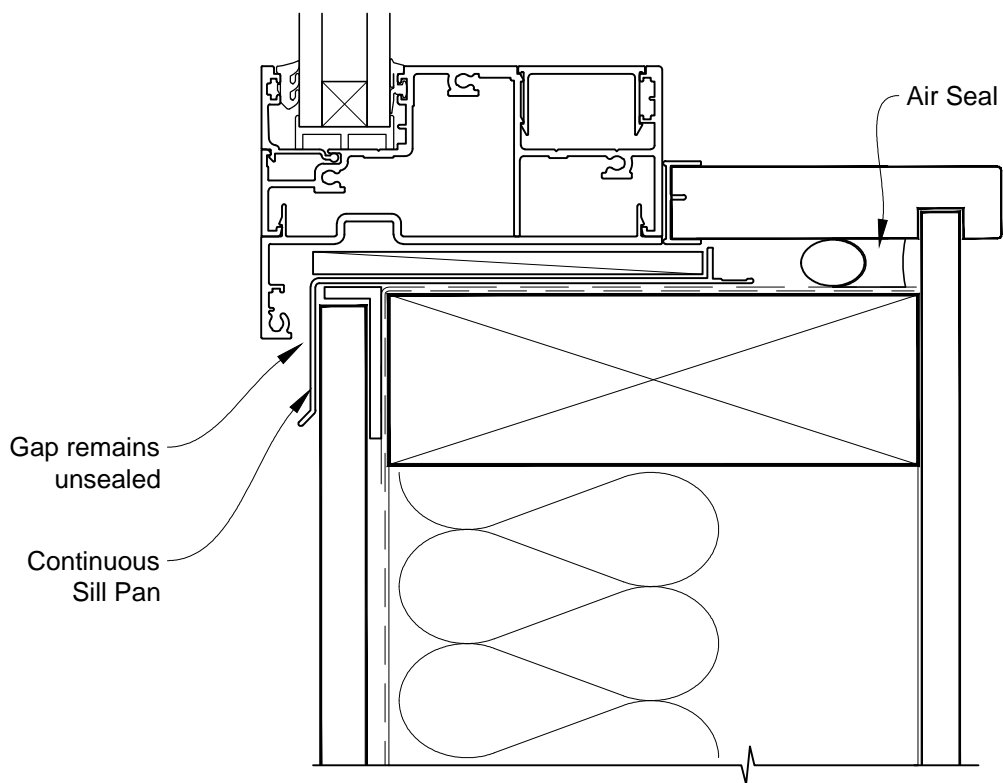
INSTALLATION DETAIL - ARCHITECTURAL 106mm SERIES AWNING WINDOW ON FLAT SHEET DIRECT FIXED CLADDING

Date: 01.03.14 Scale: 1:2 CAD Ref.: ASAW106FS-DJ



INSTALLATION DETAIL - ARCHITECTURAL 106mm SERIES AWNING WINDOW ON FLAT SHEET DIRECT FIXED CLADDING

Date: 01.03.14 Scale: 1:2 CAD Ref.: ASAW106FS-DS



INSTALLATION DETAIL - ARCHITECTURAL 106mm SERIES AWNING WINDOW ON FLAT SHEET DIRECT FIXED CLADDING

Date: 01.03.14

Scale: 1:2

CAD Ref.: ASAW106FS-DS2

