



# PLASTERBOARD SYSTEM



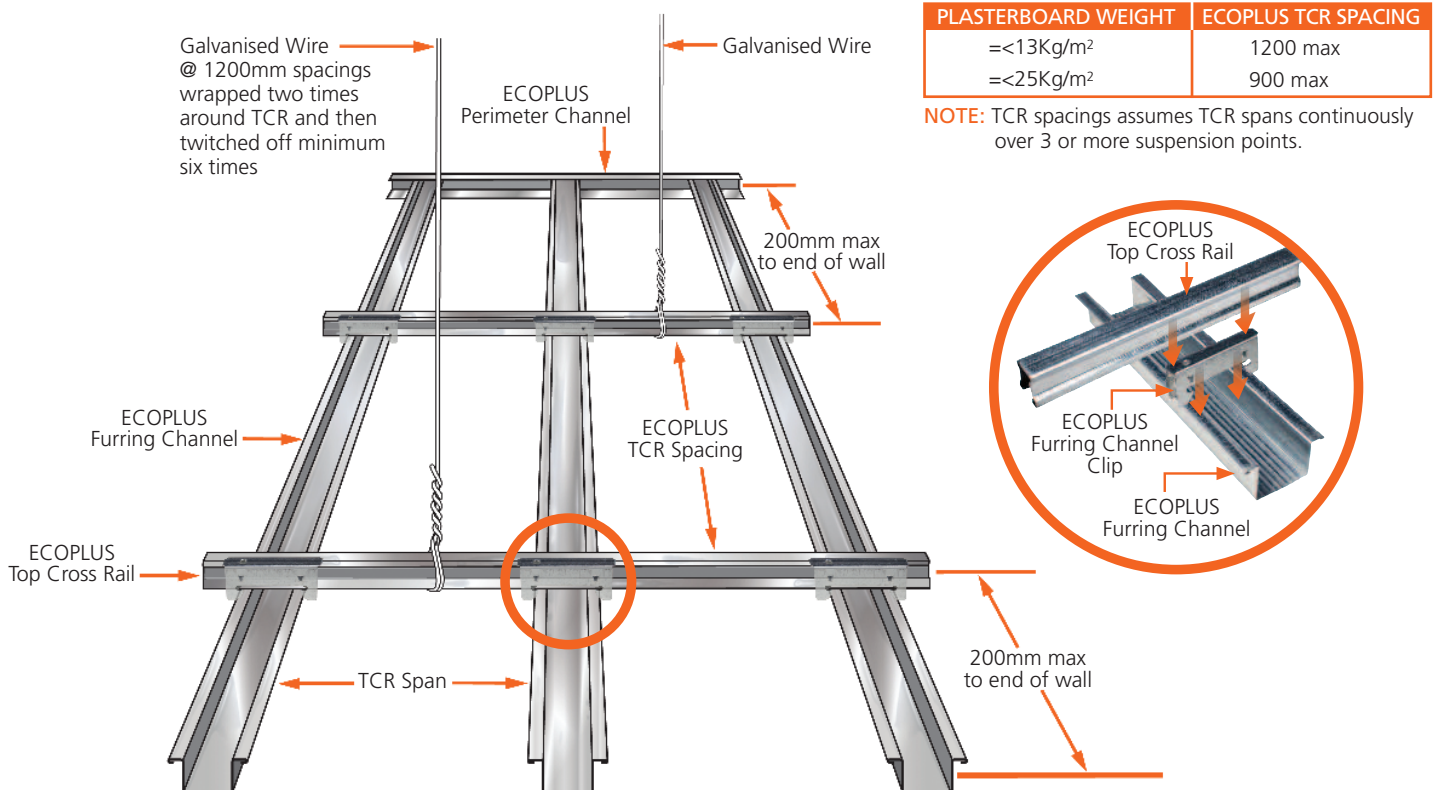
## SUSPENDED CEILING INSTALLATION

For ceilings with more than 150mm suspension depth, a fully suspended system should be installed.

The ECOPLUS Plasterboard System is designed for plasterboard with a mass of no greater than 25kg/m<sup>2</sup>.

1. Fix ECOPLUS Perimeter Channel around the perimeter of the ceiling with 8g 32mm screws spaced at 600 centres max. to framing.
2. Ensure ECOPLUS Top Cross Rail (TCR) is located within 200mm of abutting walls. Fix suspension wire to supporting structure at maximum spacing of 1200mm to suit TCR spacing. Fasteners to have a minimum ultimate design load capacity of 0.5kN.
3. Fix ECOPLUS Furring Channel Clips and then click into Top Cross Rail firmly. Ensure Furring Channel Clips engage both sides: "click-clack"
4. Secure ECOPLUS Furring Channel to Top Cross Rail at a maximum of 600mm apart or at appropriate spacings for your lining choice.
5. Ceiling height to be level with bottom edge of ECOPLUS Perimeter Channel.
6. Furring Channel is joined by expanding one end of the channel and sliding the other joining end into the expanded channel. Overlap is 200mm.
7. Top Cross Rail Butt Joint: Place 400mm off cut of top cross rail on top of the two long lengths of top cross rail, making sure the flat smooth surface of the "off cut top cross rail" is placed evenly over the joint i.e. 200mm each side of joint. Hold the top cross rails in position by using appropriate tools, (clamps and or vice grips will suffice) make sure the butt joint of the two long top cross rails are tight. Screw up and through underside of both long cross rails continuing trough into the off cut top rail using "self tapping wafer button screws" (refer fixing). Fix screws approximately 100mm either side of butt joint.

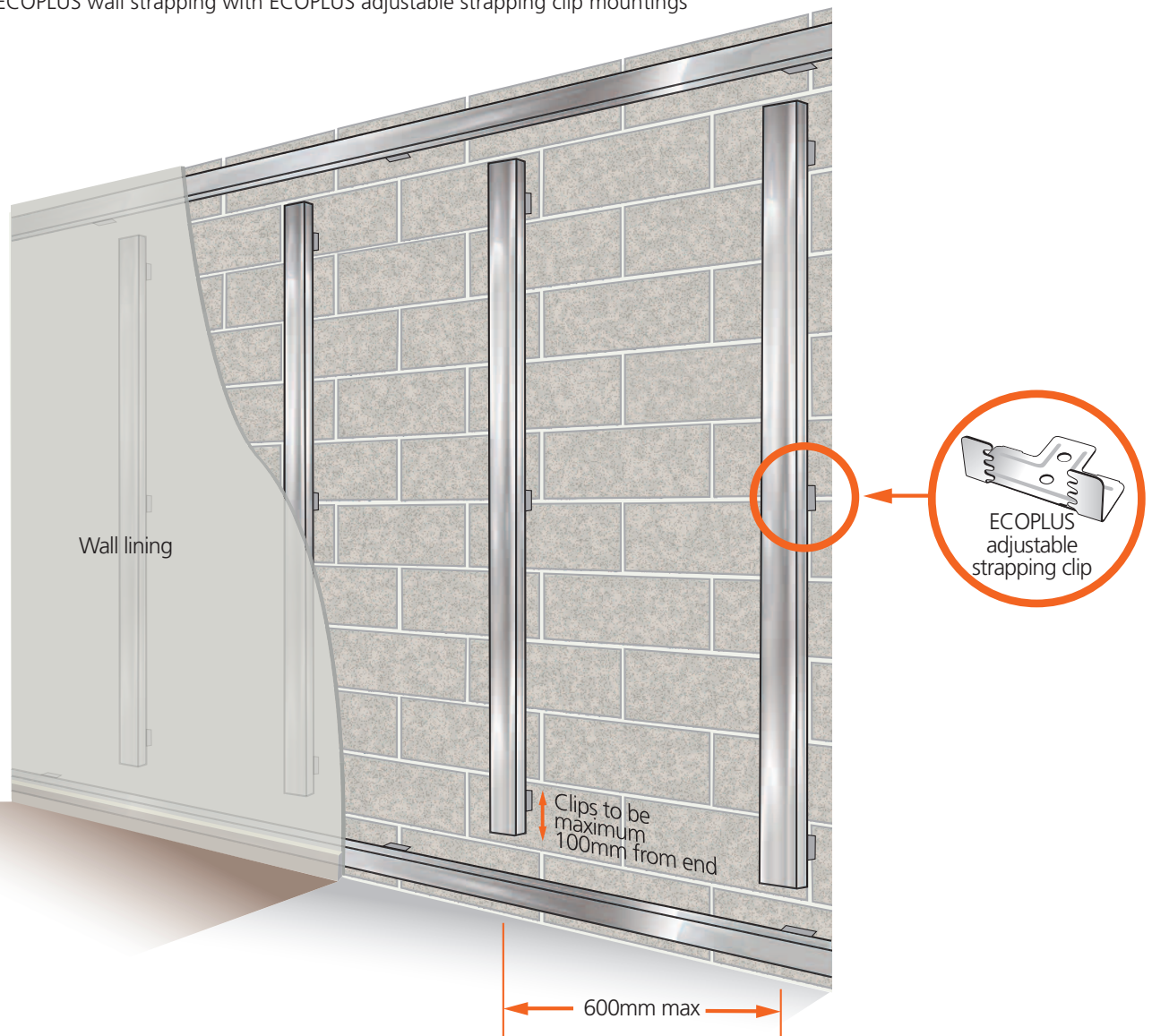
FIGURE 1: ECOPLUS suspended ceiling



## MASONRY WALL INSTALLATION

- 1. INSTALL CLIPS** Fix ECOPLUS adjustable strapping clips to masonry using appropriate fixings. eg 'knock-in anchor' or plug and screw (for a masonry wall), or screws (for a timber wall).
- 2. ATTACH FURRING CHANNEL** Clip ECOPLUS Furring Channel into these clips using side to side a rolling action. It is important to check the framing is plumb and straight.
- 3. FIX PLASTERBOARD** Screw fix plasterboard to the ECOPLUS furring channel as per the lining manufacturer's recommendations.

**FIGURE 2:** ECOPLUS wall strapping with ECOPLUS adjustable strapping clip mountings





## ECOPLUS PLASTERBOARD SYSTEM

### GENERAL INFORMATION

The ECOPLUS Plasterboard System is a versatile ceiling suspension system for internal applications, which provides various options to achieve a flush building board ceiling. For buildings with opening windows, consideration should be given to wind pressures which may occur.

ECOPLUS is a high quality, simple to use, tested system which complies with all relevant New Zealand and Australian building codes.

### NOTE:

Work shall comply with the installation requirements of AS/NZS 2785:2000 by appropriately qualified trade contractors.

All ceilings must be designed in accordance with the requirements of AS/NZS 2785-2000.

As part of this design process, seismic compliance to AS/NZS 1170.5 is required.

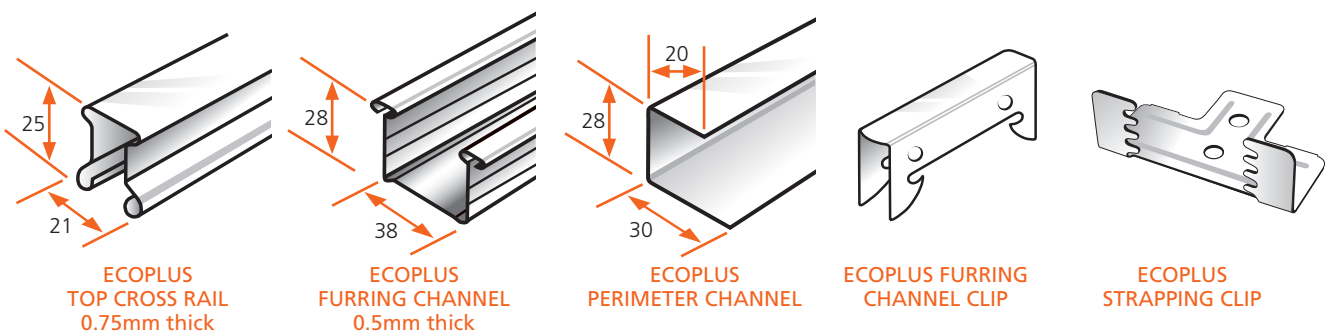
Installation should not commence until the building is weathertight

Refer AS/NZS 2785-2000 4.2.

### FEATURES AND BENEFITS

FEATURE	BENEFIT
Versatile and easy to use	Specially designed locking and suspension clips simplify the assembly of components. The range of available products allows for variable spanning and spacing options. This gives the contractor the most cost effective package for each individual project.
Safe handling	Rolled edges on the primary rail and furring channel sections make them safer to handle
Quality Guarantee	The ECOPLUS Plasterboard System is quality assured and designed to meet New Zealand standards. 100% ECOPLUS guaranteed. <small>NOTE: Mixing different manufacturers' products within the system is not recommended or guaranteed.</small>
Time-saving features	ECOPLUS components are designed to snap onto sections easily, without mechanical tools being required. Mid span joiners eliminate the need for waste, and speeds up installation time.
New Zealand Standards	Suspension clip load tests exceed the requirements of AS/NZS 2785:2000 ECOPLUS Plasterboard System has been designed to meet both New Zealand and Australian Standards. <small>Refer to Plasterboard Manufacturer for noted applications.</small>
Technical expertise	For detailed technical information visit <a href="http://www.ecoplus-systems.com">www.ecoplus-systems.com</a> For all other technical advice, such as seismic design, contact your ECOPLUS agent.

### ECOPLUS PLASTERBOARD SYSTEM COMPONENTS



Suspension Wire to be 2.5mm diameter galvanised wire to AS/NZS4534

The logo for EcoPlus Systems is displayed on a dark grey rectangular background. The word "ECOPLUS" is written in a bold, sans-serif font, with "ECO" in white and "PLUS" in orange. Below it, the word "SYSTEMS" is written in a smaller, white, sans-serif font, underlined. The logo is centered on an orange background that features a large, faint diamond shape.

ECOPLUS  
SYSTEMS

C O N T A C T

[sales@ecoplus-systems.com](mailto:sales@ecoplus-systems.com)

[ecoplus-systems.com](http://ecoplus-systems.com)

PO Box 105577

Auckland City

Auckland 1143

A horizontal orange bar with a white gradient in the center, located at the bottom of the page.