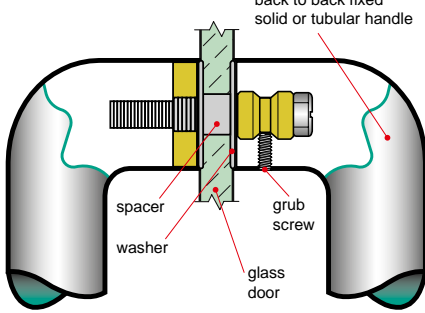
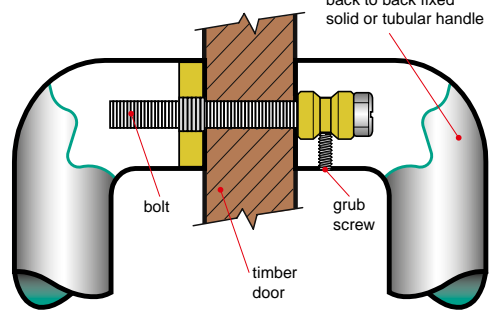


# Door Pull Handles Fixing Options

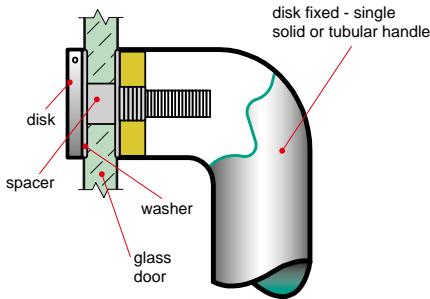
GD FIX - glass doors



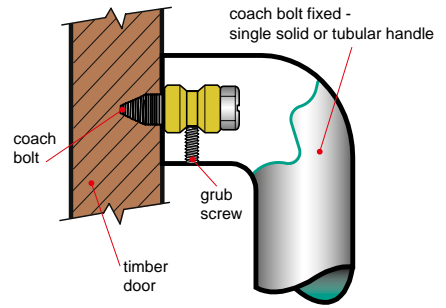
TM FIX - timber or metal doors



D FIX - glass, metal or timber doors



C FIX - timber doors only



Nylon spacers and washers are included with handle for glass door fixing option

## Drilling Details

### Timber Door Fixings

Material Size	Bolt Size
32mm Ø	8mm
25mm Ø	8mm
19mm Ø	8mm
16mm Ø	5mm
14mm Ø	5mm

### Metal Door Fixings

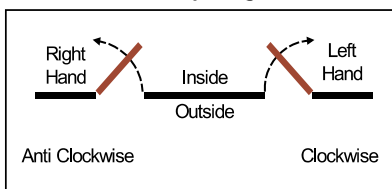
Material Size	Bolt Size
32mm Ø	8mm
25mm Ø	8mm
19mm Ø	8mm
16mm Ø	5mm
14mm Ø	5mm

### Glass Door Fixings

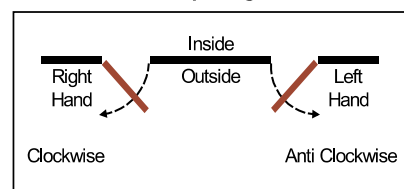
Material Size	Hole Size
32mm Ø	12mm Ø
25mm Ø	12mm Ø
19mm Ø	12mm Ø
16mm Ø	12mm Ø
14mm Ø	12mm Ø

## Handling Details

### Door Opening In



### Door Opening Out



Madinoz Pty Ltd reserves the right to alter dimensions, designs and materials without notice in the interest of future product development.