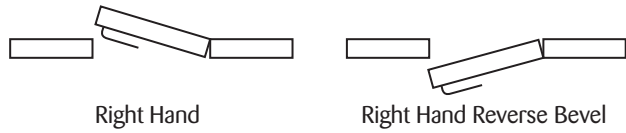


**5000 CYLINDRICAL LOCK TEMPLATE**

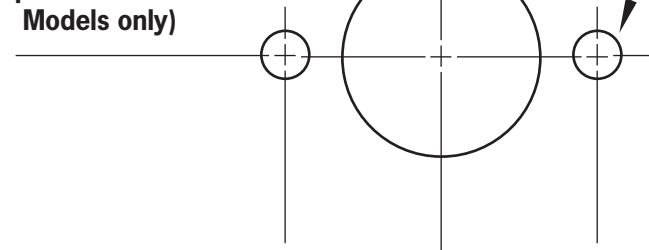
**RIGHT HAND DOOR**

Handing: Look at the door from exterior side. Use the corresponding diagram below to determine the handing of your door.



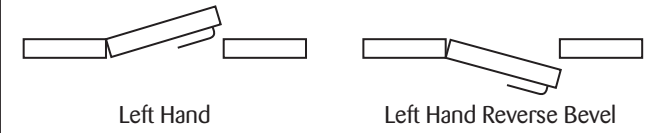
1" DIA. [ 25mm ]  
(Simplex 5031 & 5051 Models only)

4 HOLES  
1/4" DIA.  
[ 7mm ]

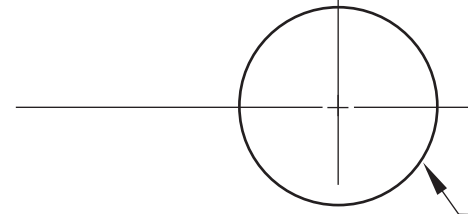


**LEFT HAND DOOR**

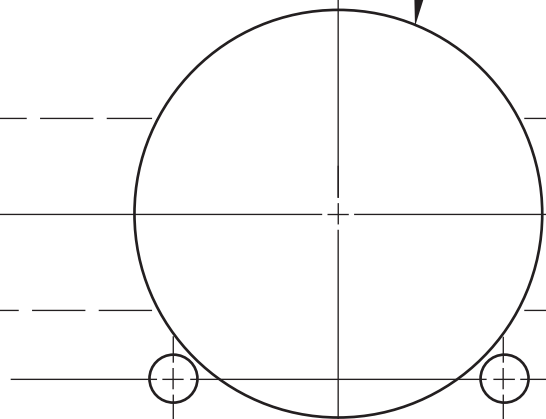
Handing: Look at the door from exterior side. Use the corresponding diagram below to determine the handing of your door.



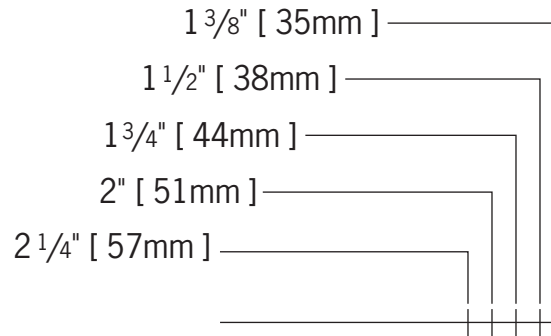
1" DIA. [ 25mm ]  
(Simplex 5041 & 5051 Models only)



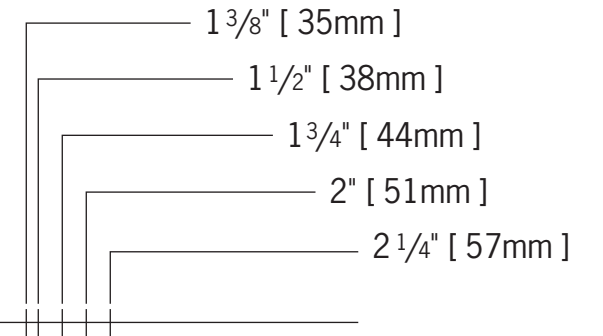
2 1/8" [ 54 mm ]  
DIA. THROUGH  
CROSS BORE



MARK CENTERLINE OF DOOR THICKNESS FOR 1" (25MM) DIA. LATCH HOLE



MARK CENTERLINE OF DOOR THICKNESS FOR 1" (25MM) DIA. LATCH HOLE



**SIMPLEX®**  
**5000** Mechanical Pushbutton Lock

**E-PLEX™**  
**5x00** Electronic Pushbutton Lock



2941 Indiana Avenue Winston-Salem, NC 27105 USA  
Tel: (800) 849-8324 (336) 725-1331  
Fax: (800) 346-9640 (336) 725-3269