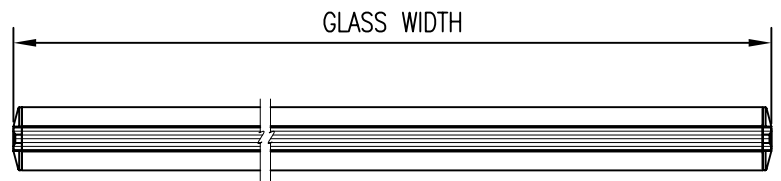
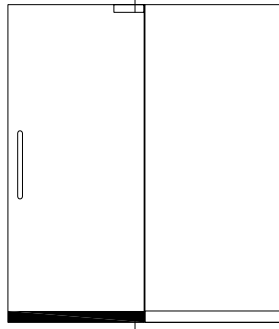


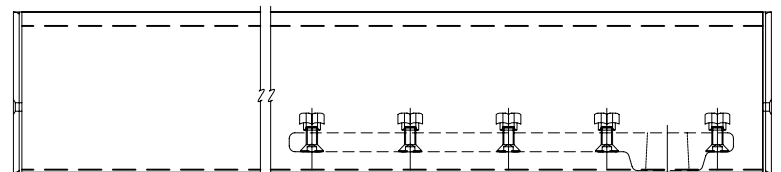


## Architectural Glass Fittings Catalogue

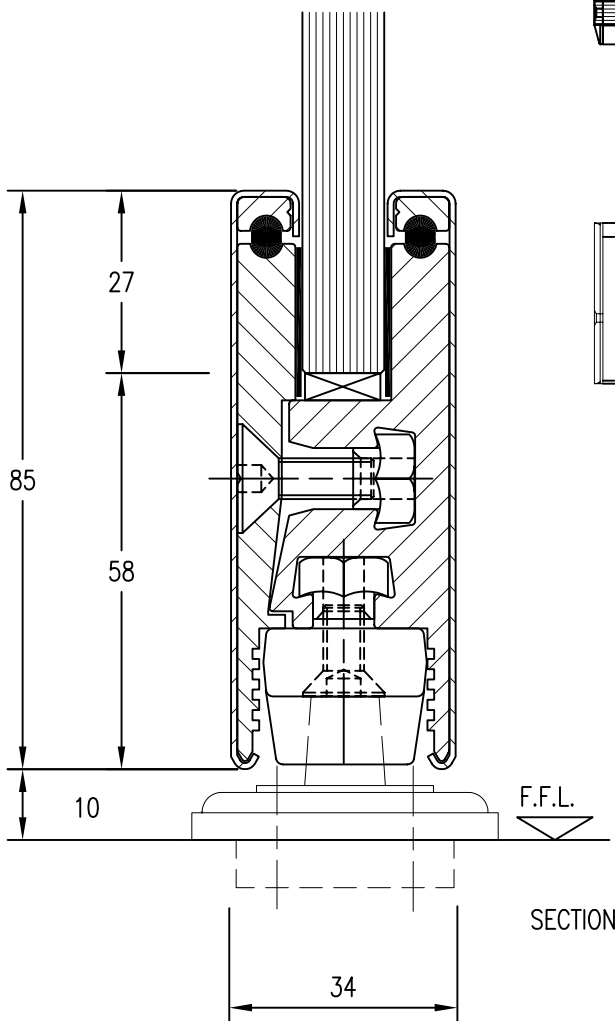
Door Control Hardware	Section	1
<b>Rail Assemblies</b>	<b>Section</b>	<b>2</b>
Patch Fittings	Section	3
Patch Locks	Section	4
Commercial Door Handles	Section	5
Point Fixings, Spacers & Hinges	Section	6
Shower Fittings	Section	7
Sliding Door & Operable Wall Systems	Section	8
Pool Gate & Balustrade Fittings	Section	9
Structural Fittings	Section	10
Panic Hardware	Section	11
Miscellaneous Hardware	Section	12



PLAN



ELEVATION

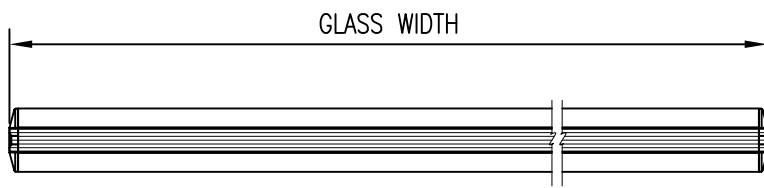
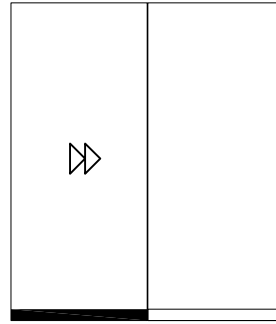


SECTION

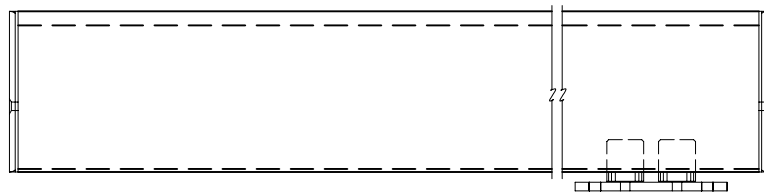
**CDS41 SPECIFICATION:** On-Eazi 85mm High Bottom Door Rail complete with Bottom Adaptor to suit Dorma BTS Floor Springs & Floor Pivots. Adjustable Pivot Point set at 55mm or specify as required. Specify Glass Thickness 10, 12 or 15mm. Specify Alternative Rail Height 100mm or as required.  
**MAX DOOR WEIGHT:** 150kgs  
**ILLUSTRATED** with CD355 Floor Pivot.

**FINISHES:**

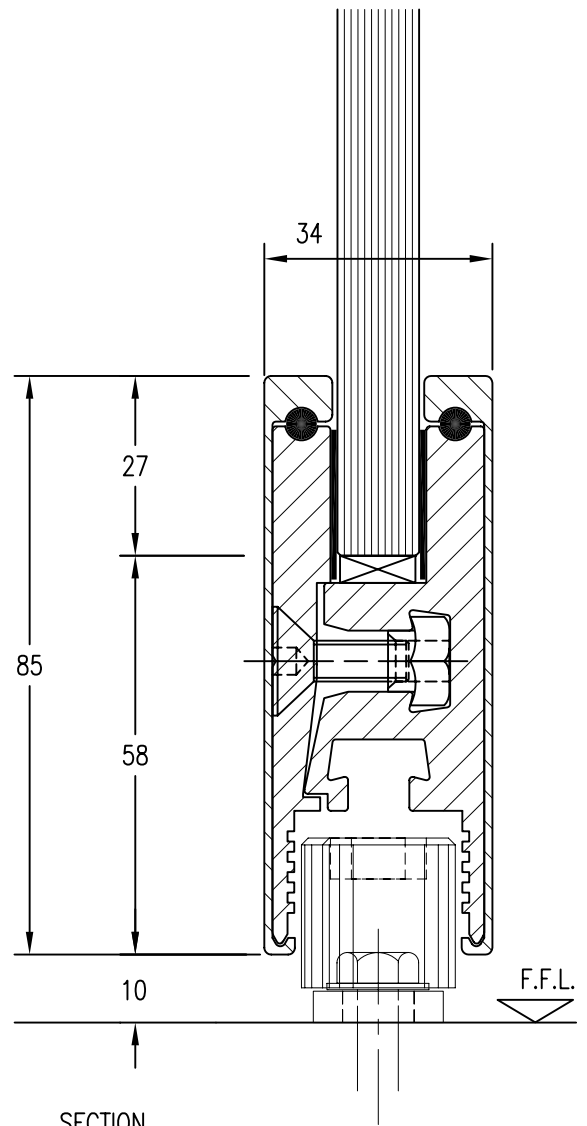
ALUMINIUM	BRASS	STAINLESS
MILL	PBU	SSS
SAA	CP	PSS
S/F	SCP	
P/S/F		



PLAN



ELEVATION

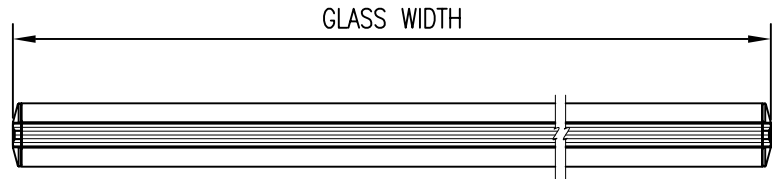
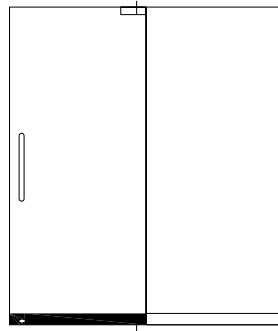


SECTION

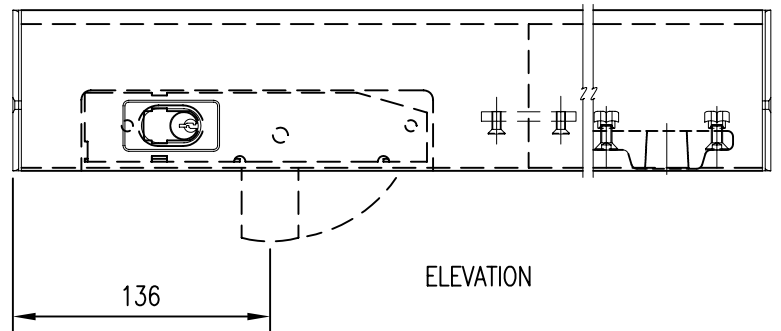
CDS41S SPECIFICATION: On-Eazi 85mm High Bottom Door Rail to suit Automatic or Manual Sliding Doors.  
Specify Glass Thickness 10, 12 or 15mm.  
Specify Alternative Rail Height 100mm or as required.  
ILLUSTRATED with CD03 Internal Roller Guide.

FINISHES:

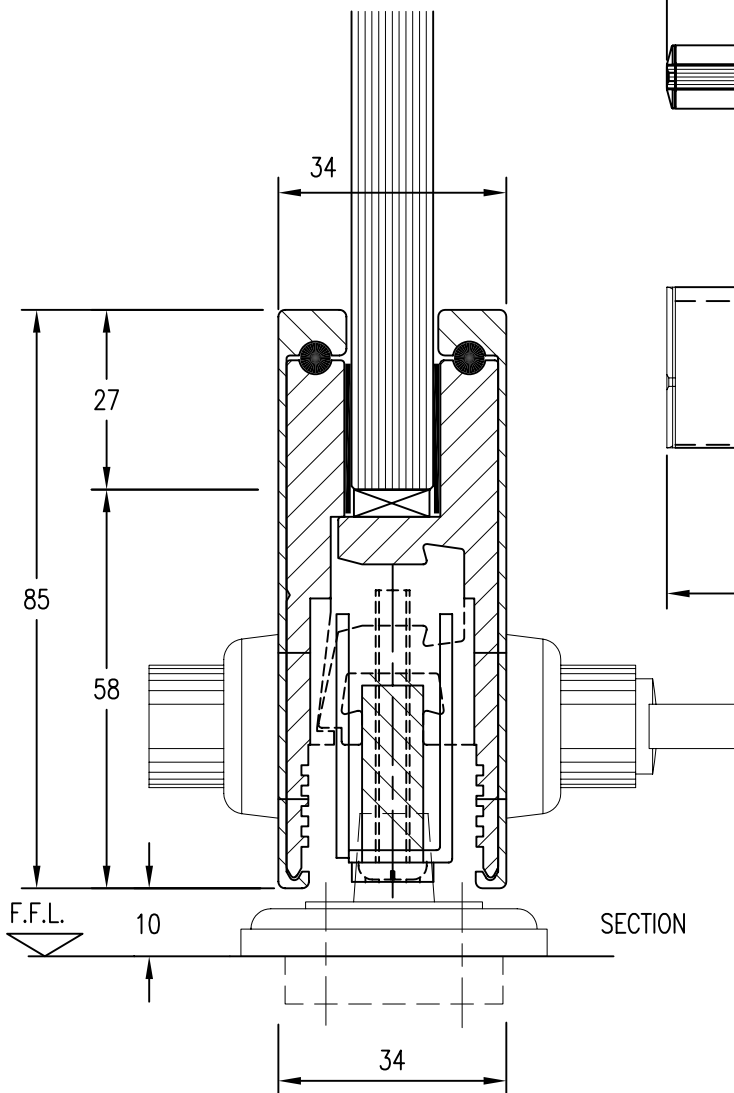
ALUMINIUM	BRASS	STAINLESS
MILL	PBU	SSS
SAA	CP	PSS
S/F	SCP	
P/S/F		



PLAN



ELEVATION

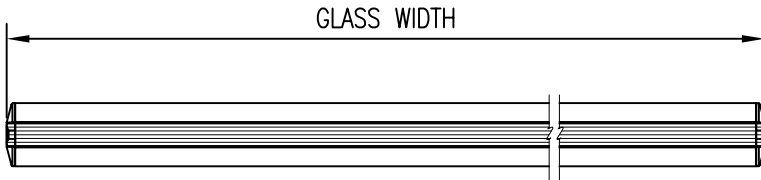
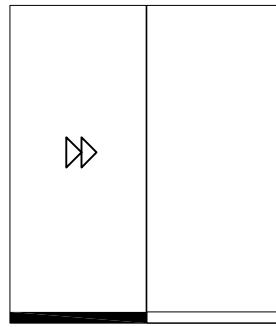


SECTION

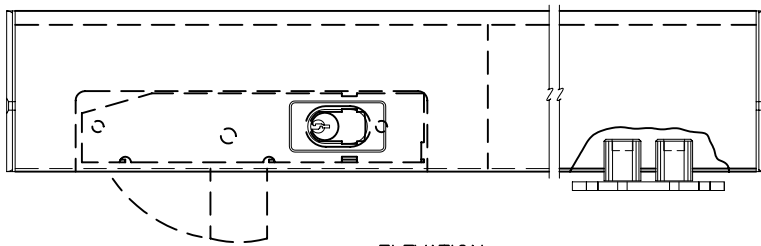
CDS42 SPECIFICATION: On-Eazi 85mm High Bottom Door Rail complete with Bottom Adaptor and Door Lock (DC 590) to suit Dorma BTS Floor Springs & Floor Pivots. Adjustable Pivot Point set at 55mm or specify as required. Specify Glass Thickness 10, 12 or 15mm. Specify Lock Operation either Single Cylinder, Double Cylinder or Cylinder and Turn. Specify Alternative Rail Height 100mm or as required. MAX DOOR WEIGHT: 150kgs ILLUSTRATED with CD355 Floor Pivot.

FINISHES:

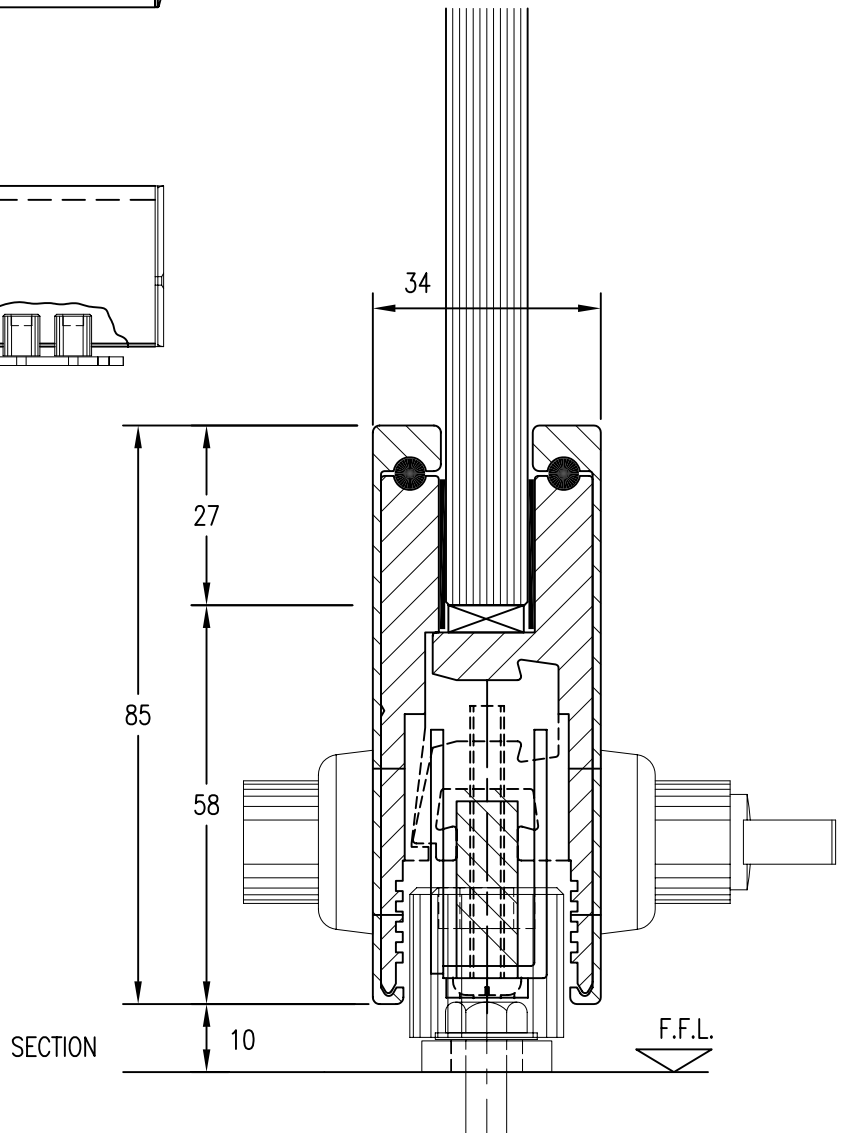
ALUMINIUM	BRASS	STAINLESS
MILL	PBU	SSS
SAA	CP	PSS
S/F	SCP	
P/S/F		



PLAN



ELEVATION

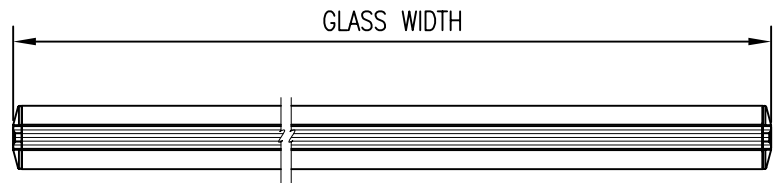
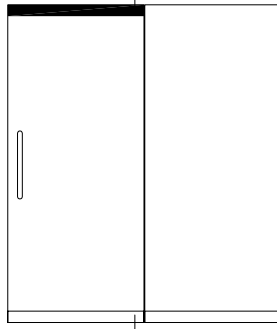


SECTION

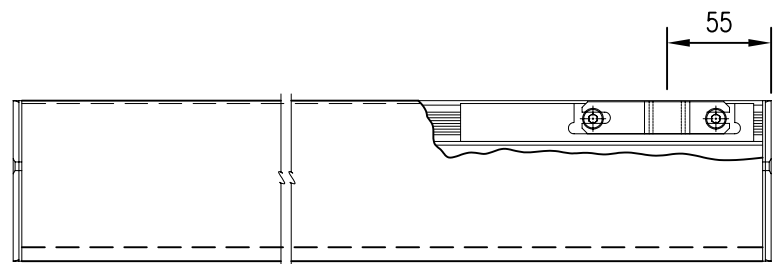
CDS42S SPECIFICATION: On-Eazi 85mm High Bottom Door Rail complete with Door Lock (DC 590) to suit Automatic or Manual Sliding Doors. Specify Lock Operation either Single Cylinder, Double Cylinder or Cylinder and Turn.  
Specify Glass Thickness 10, 12 or 15mm.  
Specify Alternative Rail Height 100mm or as required.  
ILLUSTRATED with CD03 Internal Roller Guide.

FINISHES:

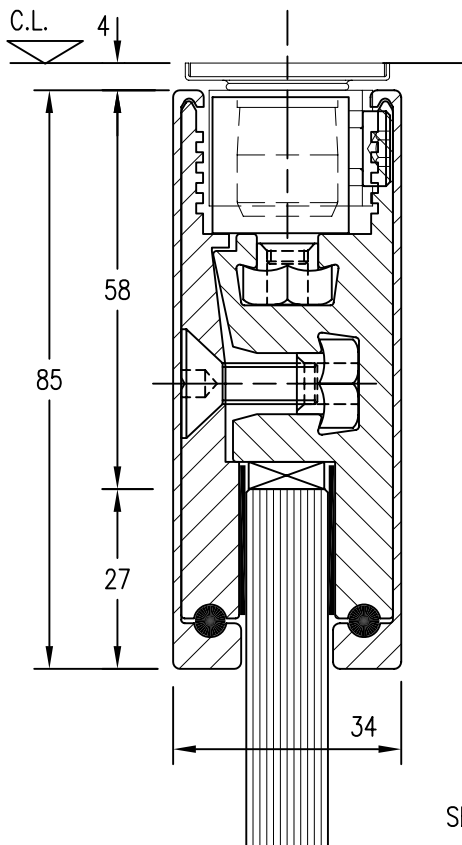
ALUMINIUM	BRASS	STAINLESS
MILL	PBU	SSS
SAA	CP	PSS
S/F	SCP	
P/S/F		



PLAN



ELEVATION

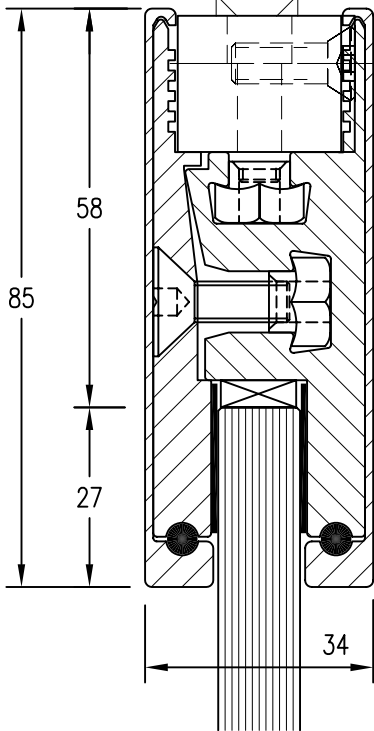
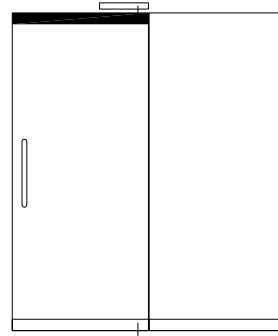
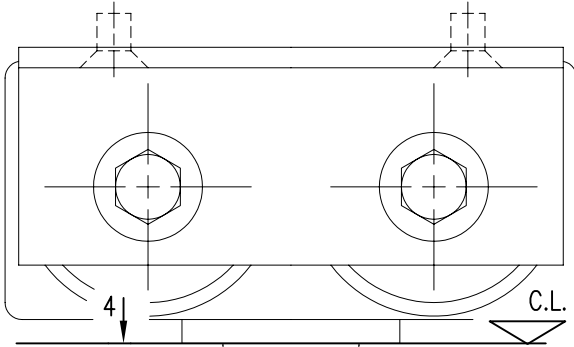


SECTION

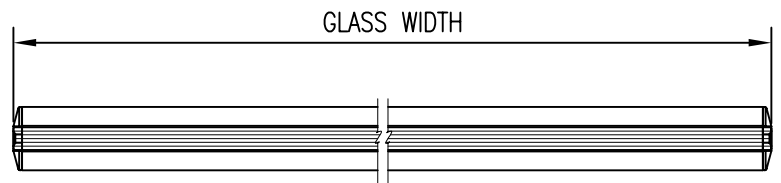
CDS43 SPECIFICATION: On-Eazi 85mm High Top Door Rail complete with Side Load Top Adaptor to suit CD58 15mm diameter Top Pivot. Adjustable Pivot Point set at 55mm or specify as required. Specify Glass Thickness 10, 12 or 15mm. Specify Alternative Rail Height 100mm or as required. ILLUSTRATED with CD58 Top Pivot.

FINISHES:

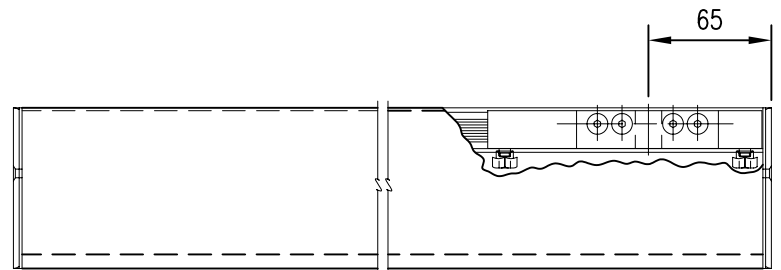
ALUMINIUM	BRASS	STAINLESS
MILL	PBU	SSS
SAA	CP	PSS
S/F	SCP	
P/S/F		



SECTION



PLAN

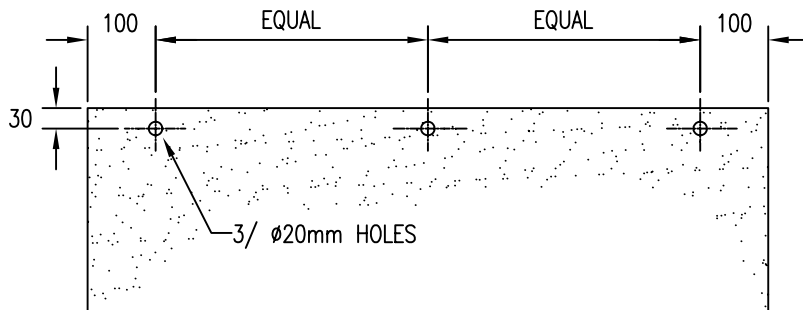
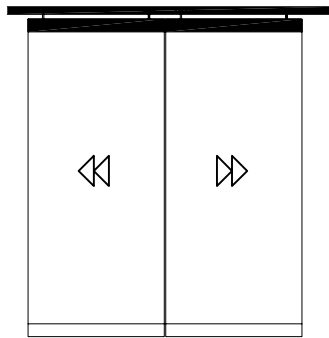


ELEVATION

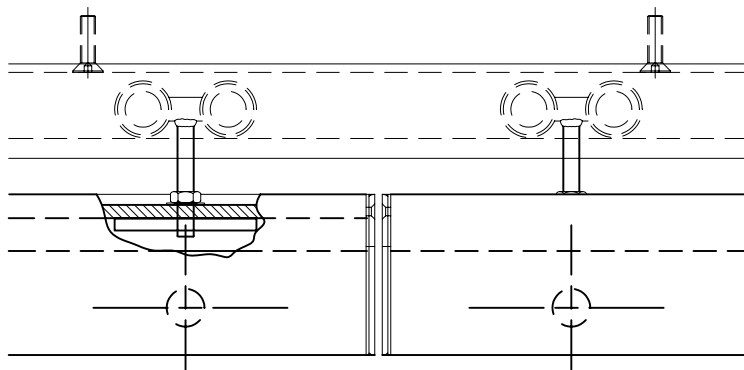
**CDS43 RTS SPECIFICATION:** On-Eazi 85mm High Top Door Rail complete with Side Load RTS Top Adaptor to suit Dorma RTS Transom Closers. Adjustable Pivot Point set at 65mm or specify as required. Specify Glass Thickness 10 or 12mm. Specify Alternative Rail Height 100mm or as required. ILLUSTRATED with RTS85 Transom Closer.  
**NOTE:** When ordering Bottom Rail to suit specify 65mm Pivot Point.

FINISHES:

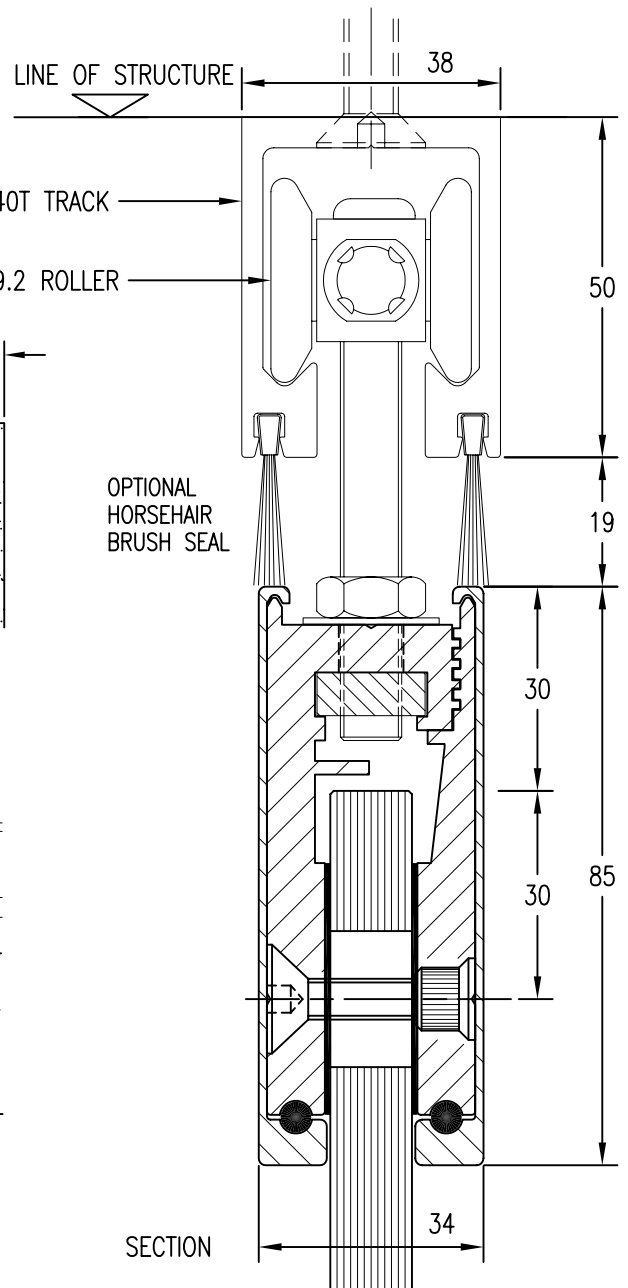
ALUMINIUM	BRASS	STAINLESS
MILL	PBU	SSS
SAA	CP	PSS
S/F	SCP	
P/S/F		



GLASS PREPARATION



ELEVATION



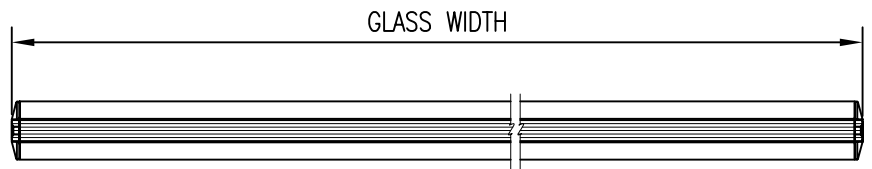
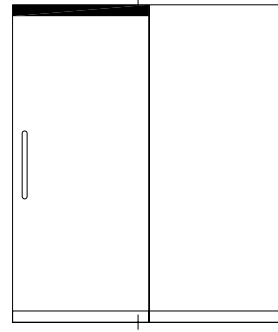
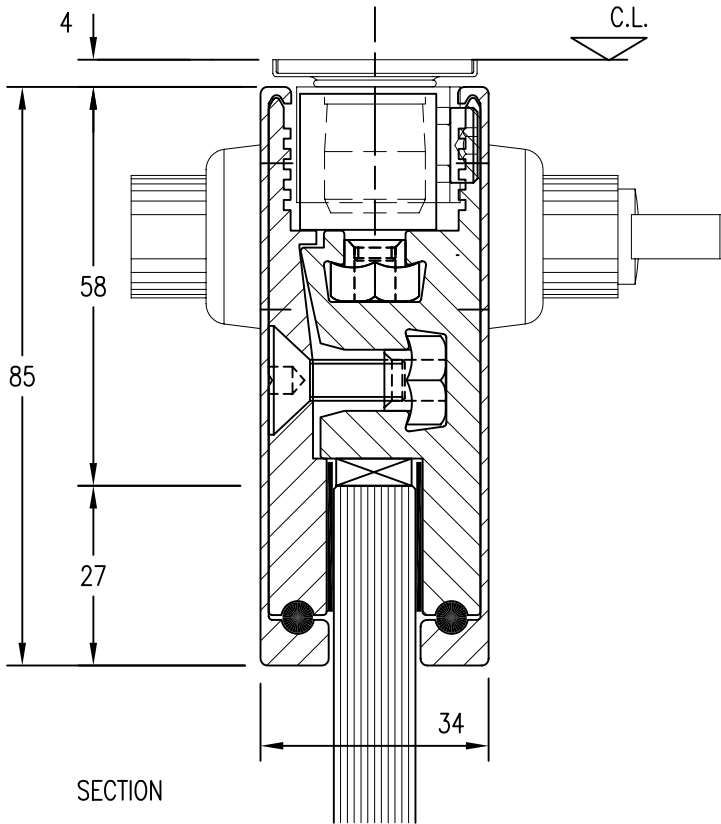
SECTION

**CDS43S SPECIFICATION:** On-Eazi 85mm High Bolt through Top Door Rail to suit most automatic or manual Sliding Door Systems.  
 Specify Glass Thickness 10, 12 or 15mm.  
 Specify Alternative Rail Height 100mm or as required.  
 ILLUSTRATED with CDS40T Track & CDS49.2 Roller.

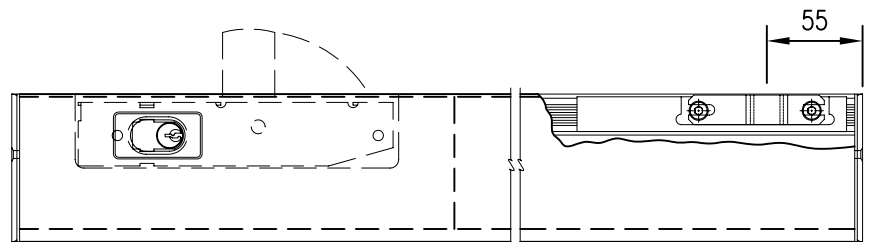
FINISHES:

ALUMINIUM	BRASS	STAINLESS
MILL	PBU	SSS
SAA	CP	PSS
S/F	SCP	
P/S/F		





PLAN

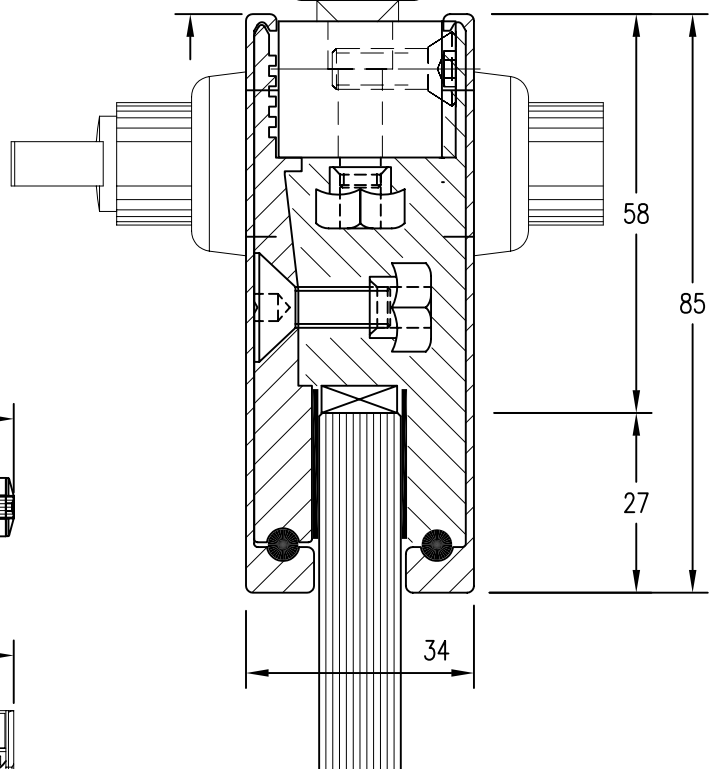
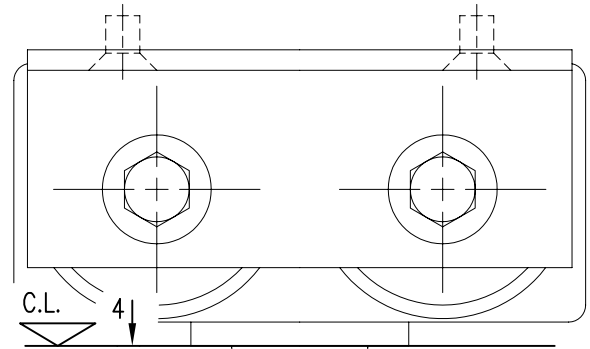
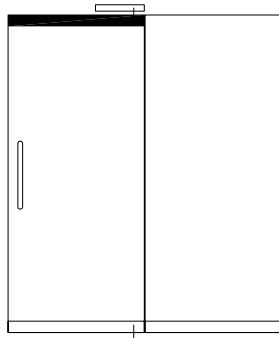


ELEVATION

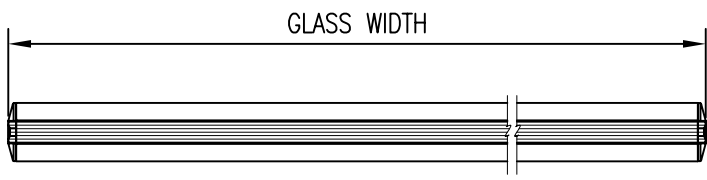
CDS44 SPECIFICATION: On-Eazi 85mm High Top Door Rail complete with Side Load Top Adaptor and Door Lock (DC 590) to suit CD58 Top Pivot. Adjustable Pivot Point set at 55mm or specify as required. Specify Glass Thickness 10, 12 or 15mm. Specify Lock Operation either Single Cylinder, Double Cylinder or Cylinder and Turn. Specify Alternative Rail Height 100mm or as required. MAX DOOR WEIGHT: 150kgs ILLUSTRATED with CD58 Top Pivot.

FINISHES:

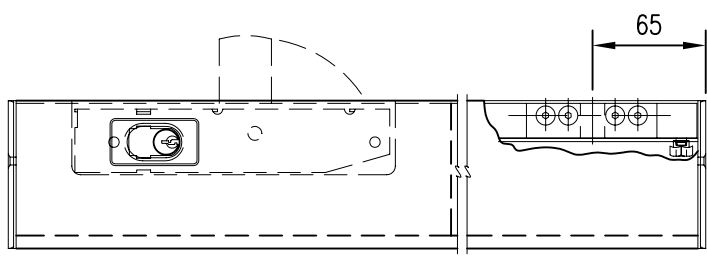
ALUMINIUM	BRASS	STAINLESS
MILL	PBU	SSS
SAA	CP	PSS
S/F	SCP	
P/S/F		



SECTION



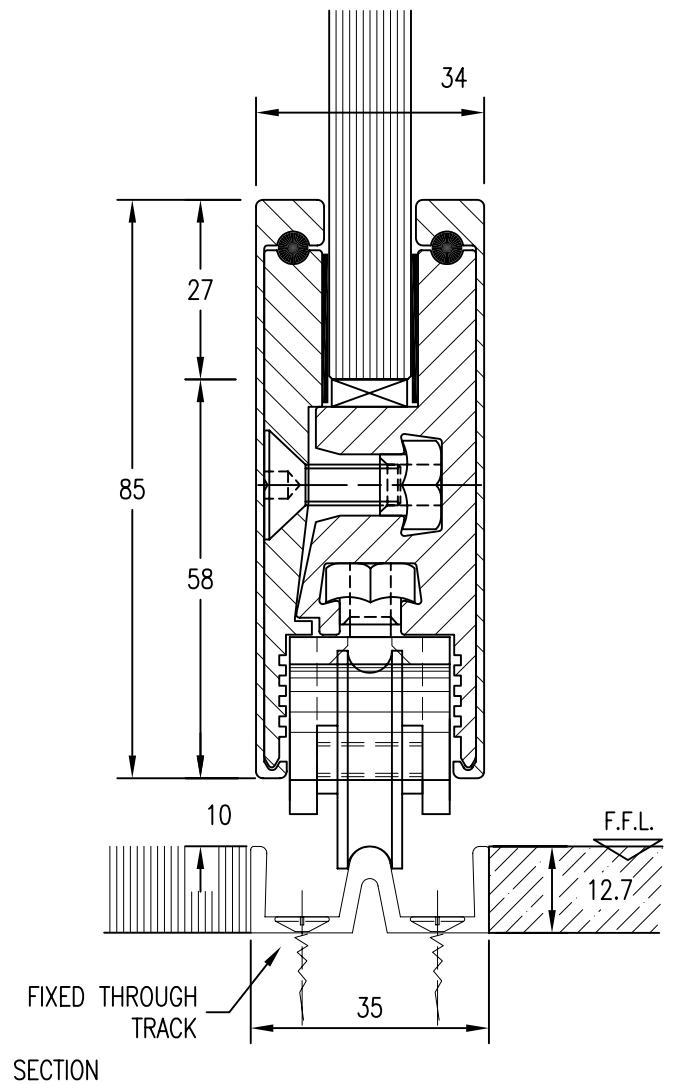
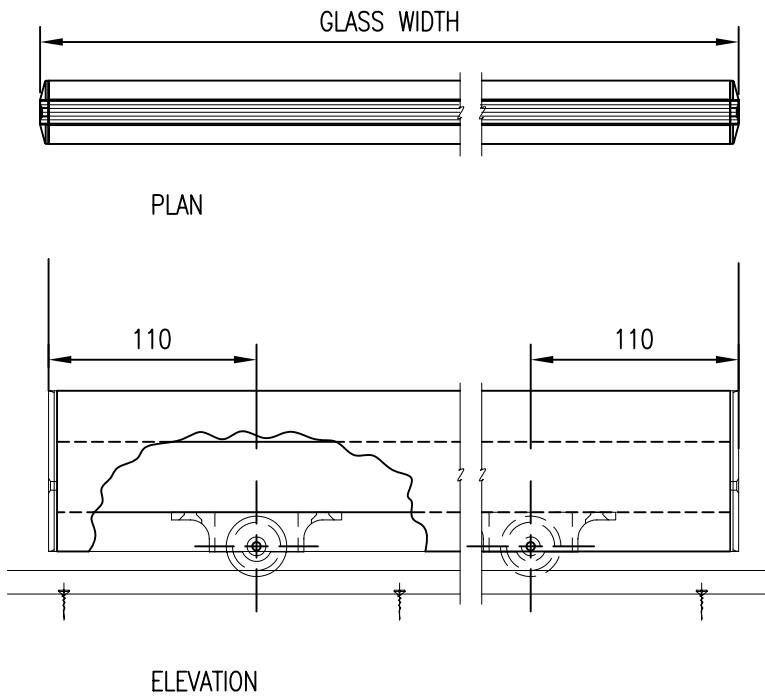
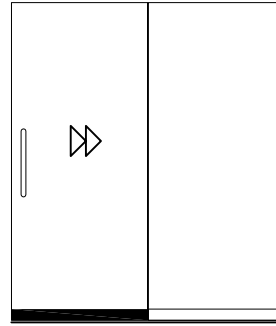
PLAN



ELEVATION

**CDS44 RTS SPECIFICATION:** On-Eazi 85mm High Top Door Rail complete with Side Load RTS Top Adaptor and Door Lock (DC 590) to suit Dorma RTS Transom Closers. Adjustable Pivot Point set at 65mm or specify as required. Specify Glass Thickness 10, 12 or 15mm. Specify Lock Operation either Single Cylinder, Double Cylinder or Cylinder and Turn.  
Specify Alternative Rail Height 100mm or as required.  
MAX DOOR WEIGHT: 150kgs ILLUSTRATED with RTS85 Transom Closer.  
NOTE: When ordering Bottom Rail to suit specify 65mm Pivot Point.

<u>FINISHES:</u>		
ALUMINIUM	BRASS	STAINLESS
MILL	PBU	SSS
SAA	CP	PSS
S/F	SCP	
P/S/F		

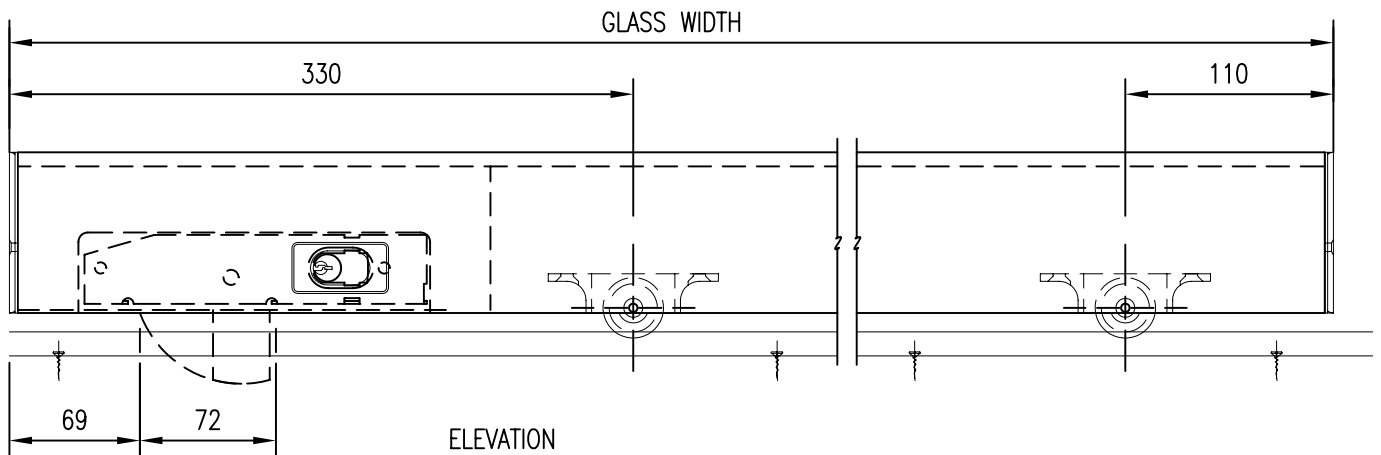
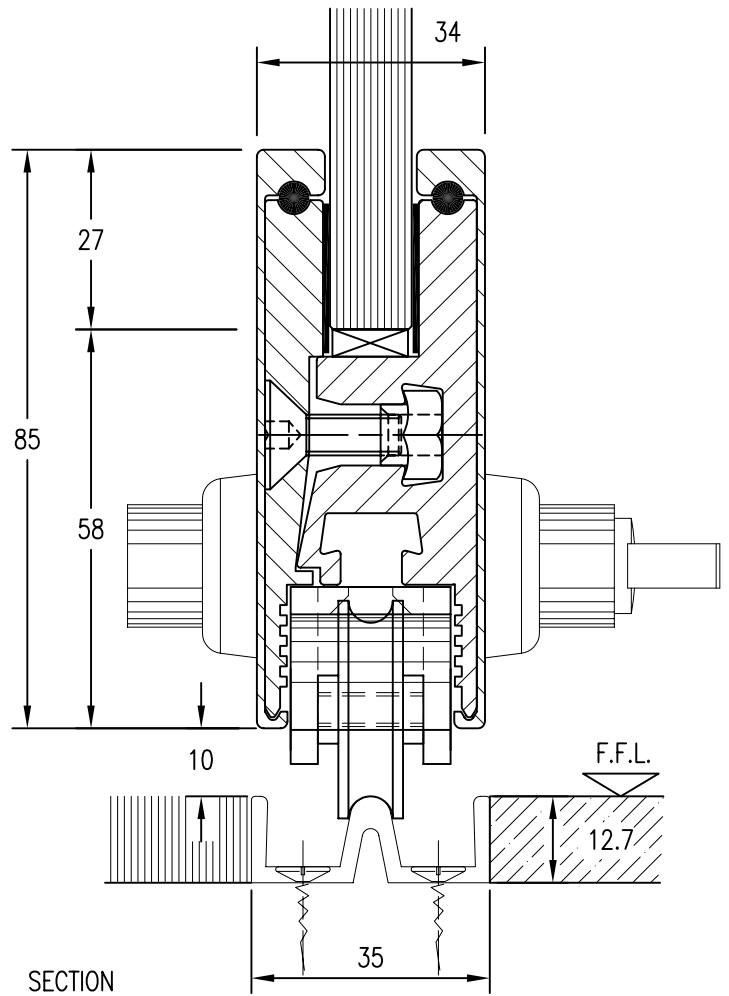
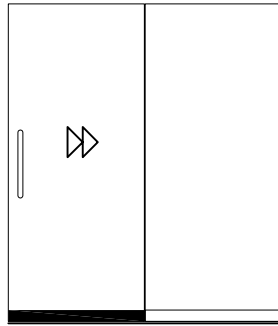


**CDS41B/S SPECIFICATION:** On-Eazi 85mm High Bottom Door Rail complete with Heavy Duty Rollers to suit CDS50 Floor Mounted Sliding Brass Track, ILLUSTRATED.

Specify Glass Thickness 10, 12 or 15mm.  
Specify Alternative Rail Height 100mm or as required.  
MAX DOOR WEIGHT: 150Kgs

FINISHES:

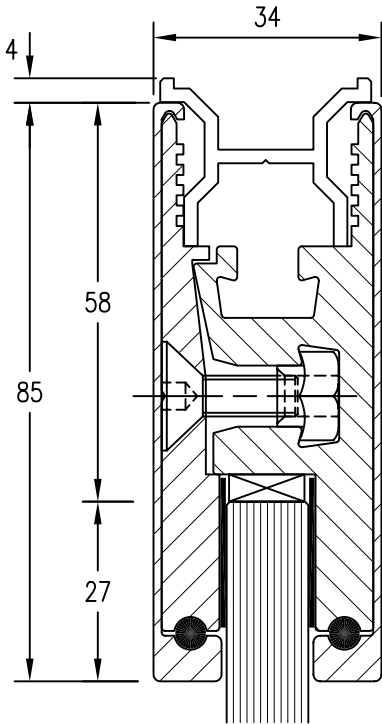
ALUMINIUM	BRASS	STAINLESS
MILL	PBU	SSS
SAA	CP	PSS
S/F	SCP	
P/S/F		



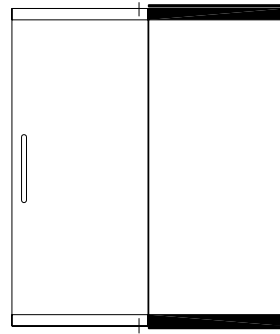
**CDS42B/S SPECIFICATION:** On-Eazi 85mm High Bottom Door Rail complete with Heavy Duty Rollers and Door Lock (DC 590), to suit CDS50 Floor Mounted Sliding Brass Track, ILLUSTRATED.  
 Specify Glass Thickness 10, 12 or 15mm.  
 Specify lock operation either single cylinder, double cylinder or cylinder and turn.  
 Specify Alternative Rail Height 100mm or as required.  
 NOTE: Minimum Door width recommended 1000mm.  
 MAX DOOR WEIGHT: 150Kgs

FINISHES:

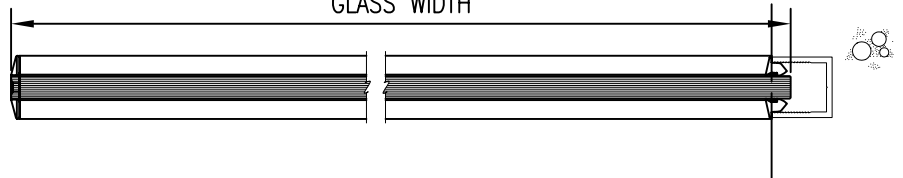
ALUMINIUM	BRASS	STAINLESS
MILL	PBU	SSS
SAA	CP	PSS
S/F	SCP	
P/S/F		



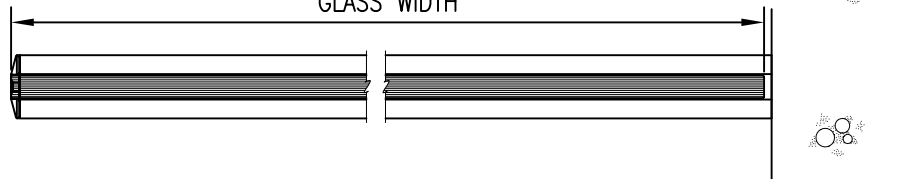
CDS48 TOP



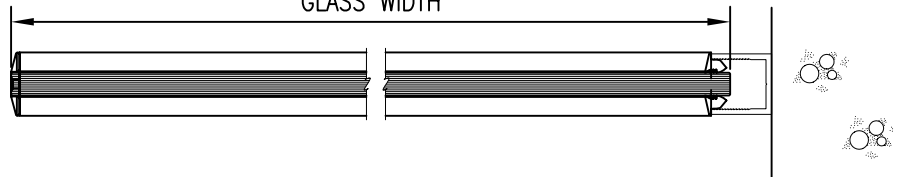
RECESSED CHANNEL  
GLASS WIDTH



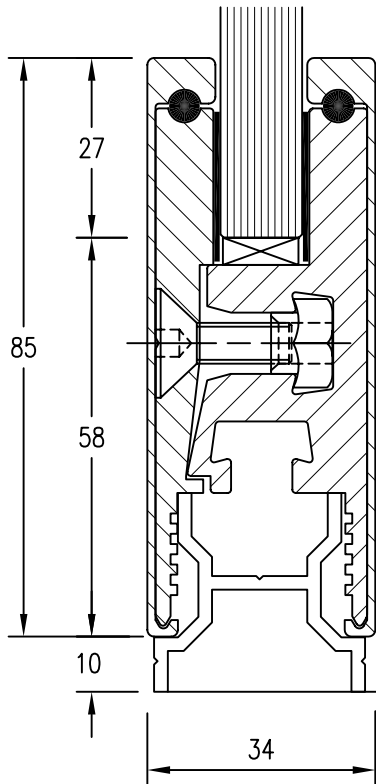
SILICONE TO WALL  
GLASS WIDTH



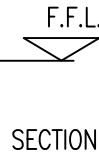
SURFACE FIXED CHANNEL  
GLASS WIDTH



PLAN



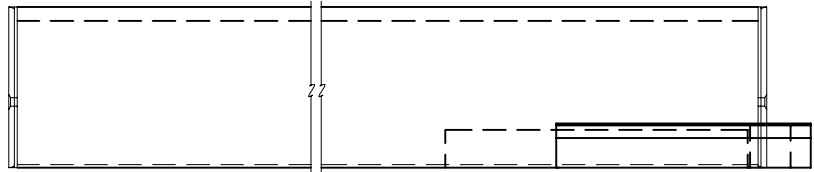
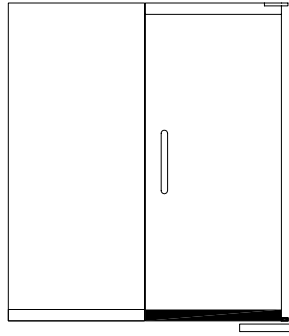
CDS47 BOTTOM



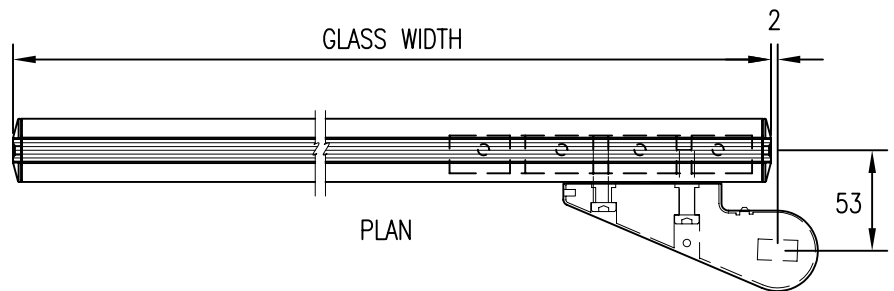
CDS47/48 SPECIFICATION: On-Eazi 85mm High Side Lite Rail complete with 4/10mm Filler Section to suit side light installation. ILLUSTRATED. Specify Glass Thickness 10, 12 or 15mm. Specify Alternative Rail Height 100mm or as required. Specify one or two End Caps as required. Specify CDS47 for Bottom Side Lite Rail. Specify CDS48 for Top Side Lite Rail.

FINISHES:

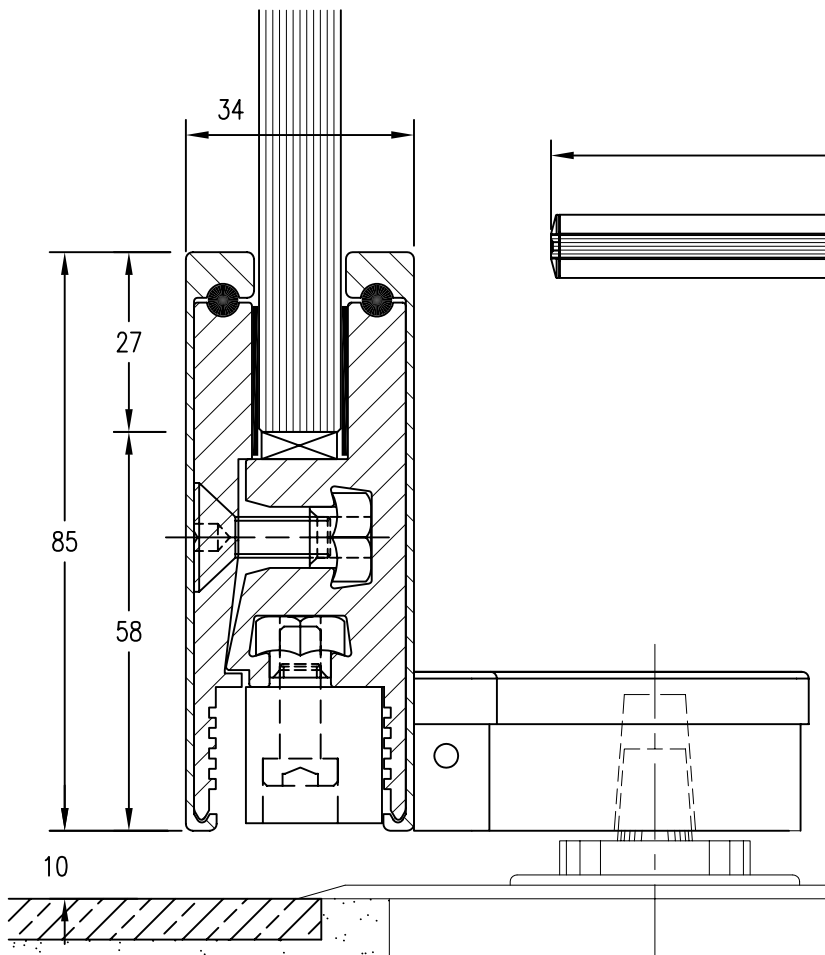
ALUMINIUM	BRASS	STAINLESS
MILL	PBU	SSS
SAA	CP	PSS
S/F	SCP	
P/S/F		



ELEVATION



PLAN

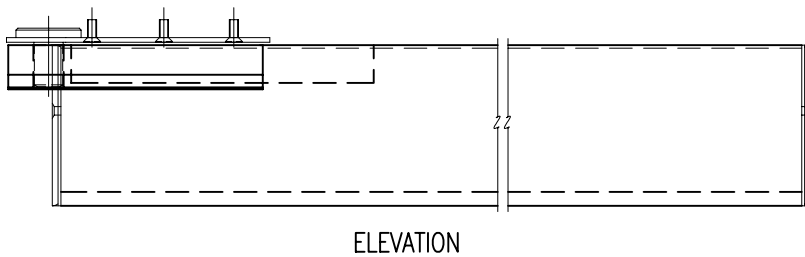
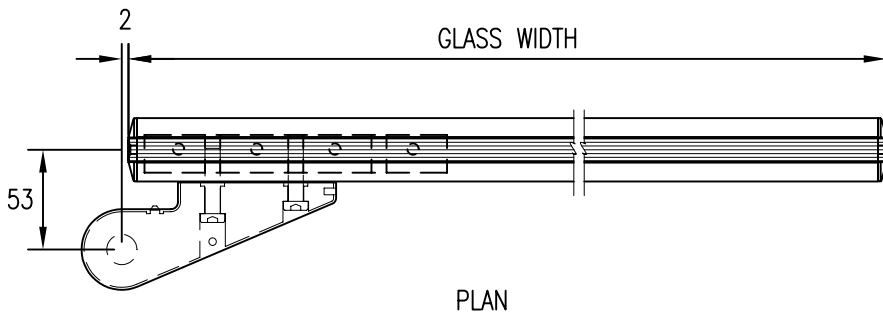
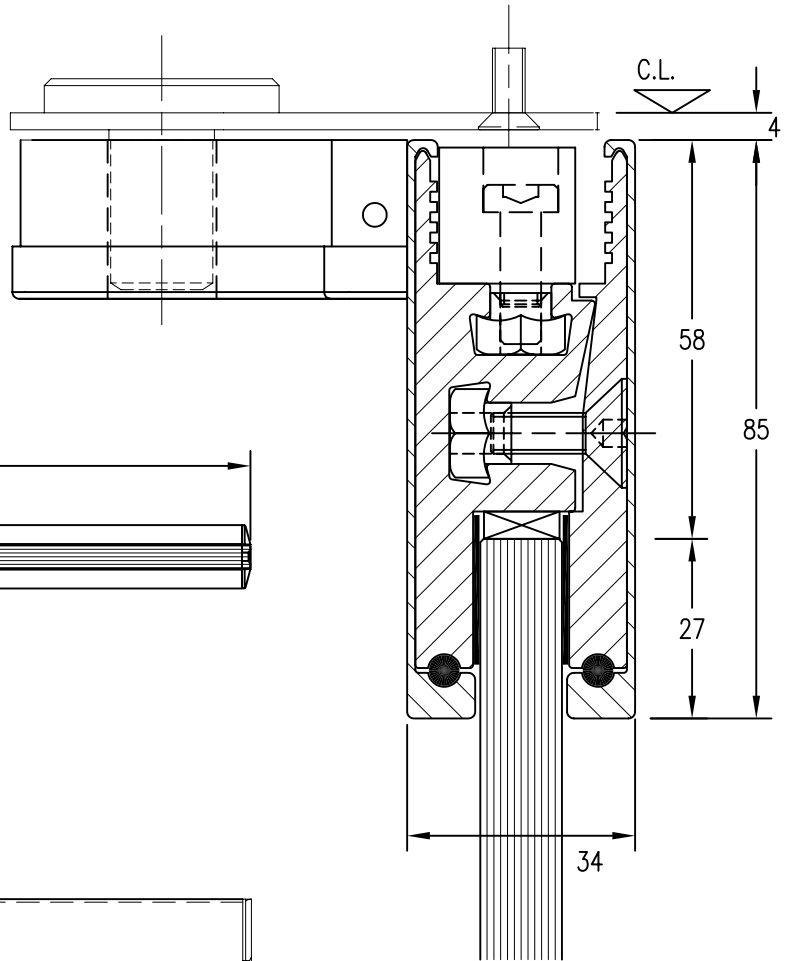
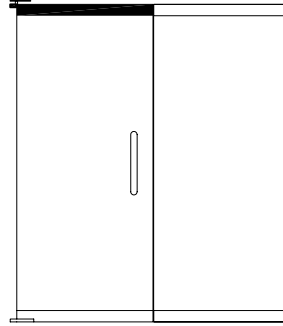


SECTION

**CDS41L/R SPECIFICATION:** On-Eazi 85mm High Bottom Door Rail complete with Offset Pivot Assembly to suit Dorma BTS Floor Springs & Floor Pivots. Specify Glass Thickness 10, 12 or 15mm. Specify Alternative Rail Height 100mm or as required. Specify L / R for Handing. [RIGHT HAND DRAWN]  
**MAX DOOR WEIGHT:** 100kgs  
**NOTE:** Offset Pivot Assembly finished in SAA, SSS or PSS only.  
 ILLUSTRATED with a Dorma BTS Floorspring.

**FINISHES:**

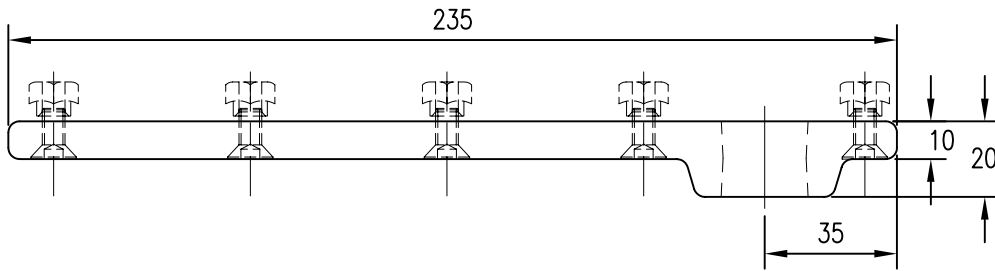
ALUMINIUM	BRASS	STAINLESS
MILL	PBU	SSS
SAA	CP	PSS
S/F	SCP	
P/S/F		



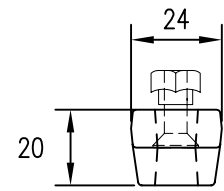
**CDS43L/R SPECIFICATION:** On-Eazi 85mm High Top Door Rail complete with Offset Pivot Assembly to suit CD58 Offset Top Pivot. ILLUSTRATED.  
 Specify Glass Thickness 10, 12 or 15mm.  
 Specify Alternative Rail Height 100mm or as required.  
 Specify L / R for Handing. [LEFT HAND DRAWN]  
**MAX DOOR WEIGHT:** 100kgs  
**NOTE:** Offset Pivot Assembly finished in SAA, SSS or PSS only.

FINISHES:

ALUMINIUM	BRASS	STAINLESS
MILL	PBU	SSS
SAA	CP	PSS
S/F	SCP	
P/S/F		



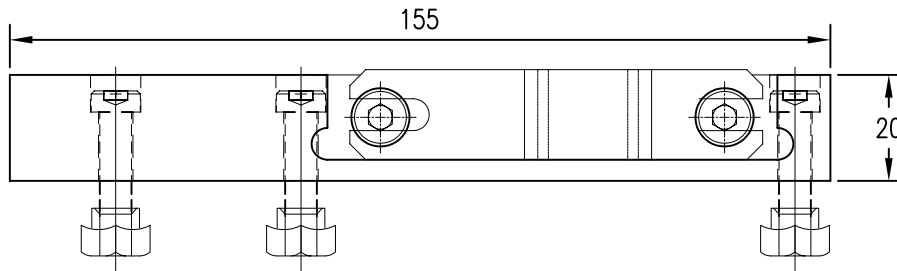
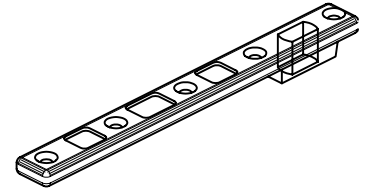
SIDE VIEW



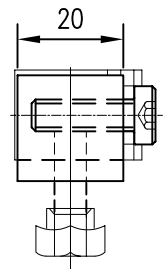
END VIEW

**CDS40-3**

SPECIFICATION:  
On-Eazi Bottom Rail Strap to suit  
DORMA Floor Spring or Pivot Bearing.



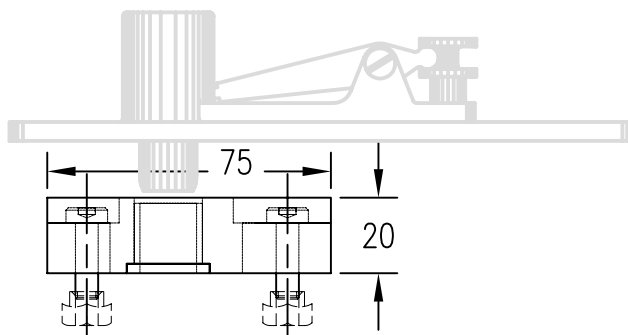
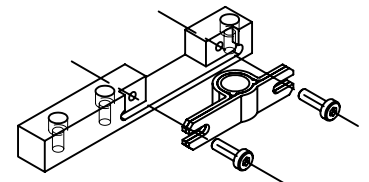
SIDE VIEW



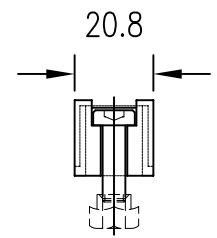
END VIEW

**CDS40-4**

SPECIFICATION:  
On-Eazi Side Load Adjustable Top Adaptor  
to suit Pivot.



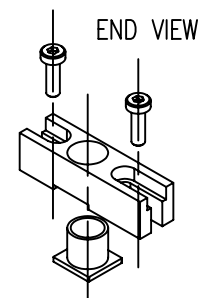
SIDE VIEW



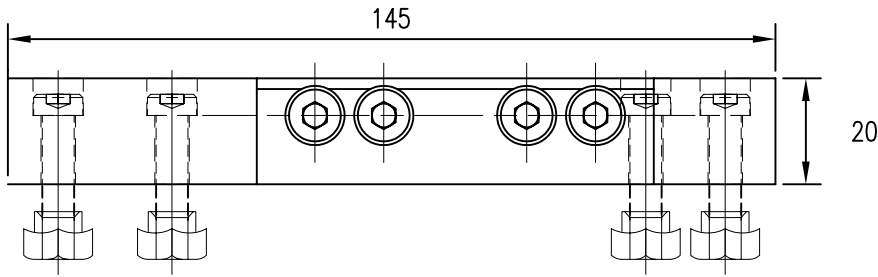
END VIEW

**CDS40-5**

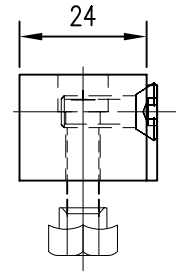
SPECIFICATION:  
On-Eazi Top Adaptor to suit  
Walking Beam Pivot. (ILLUSTRATED)







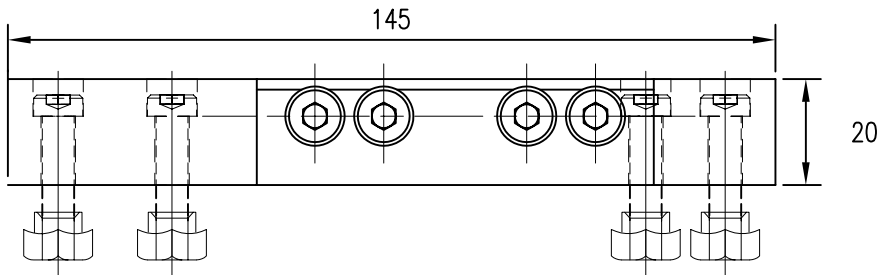
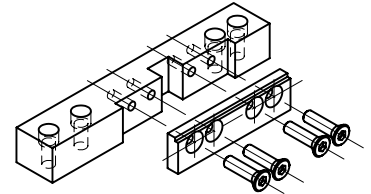
SIDE VIEW



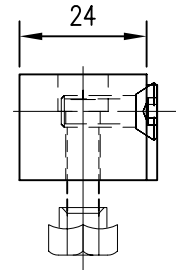
END VIEW

**CDS40-6RTS**

SPECIFICATION:  
On-Eazi Top Adaptor to suit  
DORMA RTS Transom Closer.



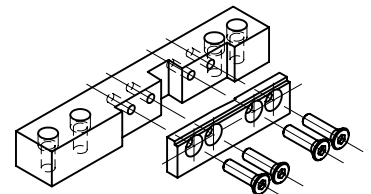
SIDE VIEW



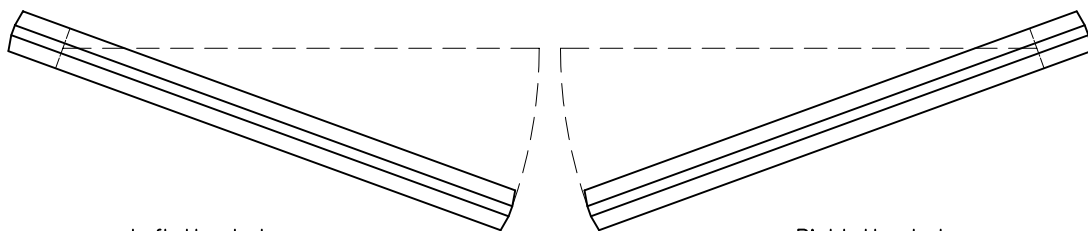
END VIEW

**CDS40-6RTS L/R**

SPECIFICATION:  
On-Eazi Top Adaptor to suit  
DORMA RTS Transom Closer Including 3 Deg. Offset  
Specify LH or RH.



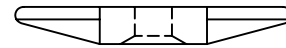
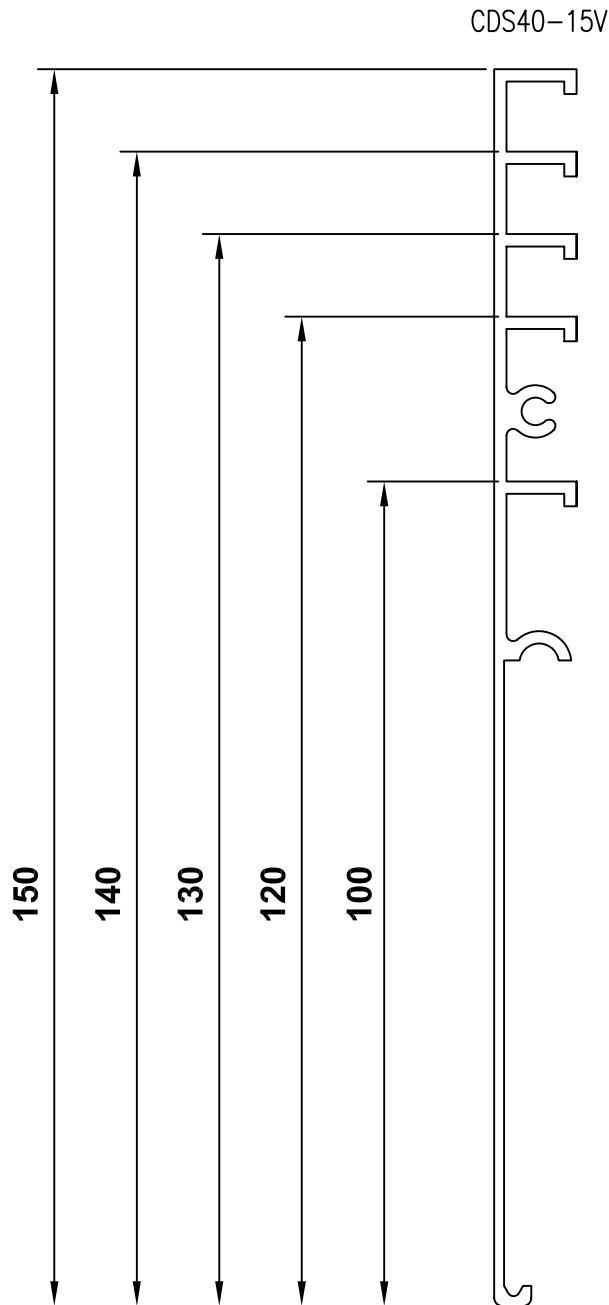
**INSIDE**



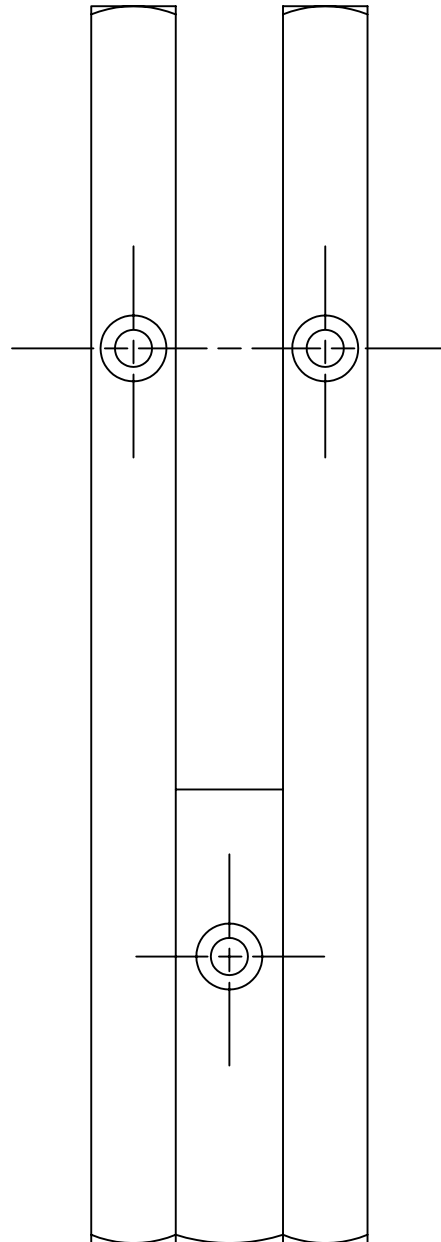
Left Hand door

Right Hand door

**OUTSIDE**



CDS40-14V



CDS40-15V SPECIFICATIONS:  
Variable Height Rail Cover

CDS40-14V SPECIFICATIONS:  
Variable Height Rail End Cap

FINISHES:

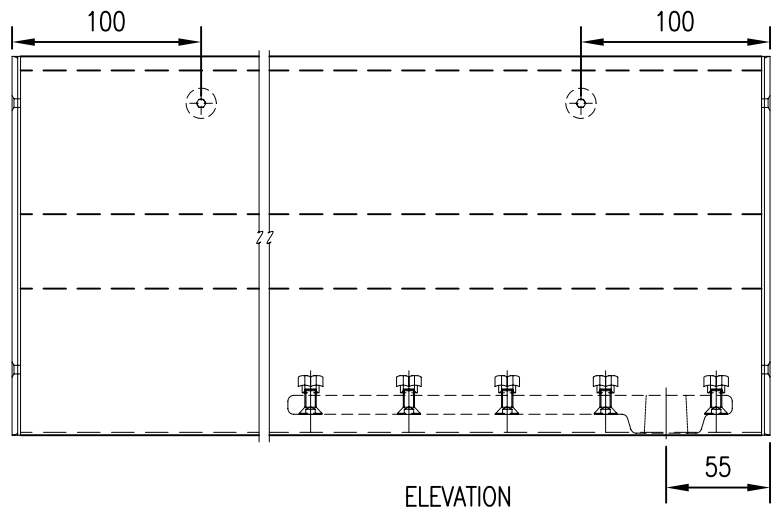
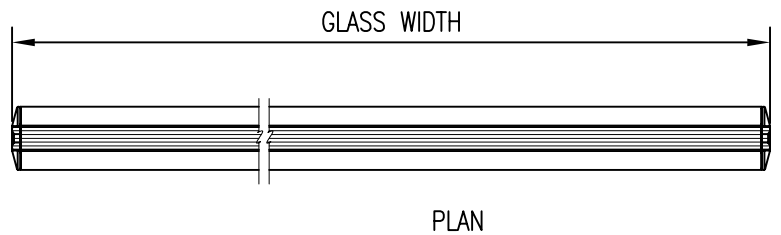
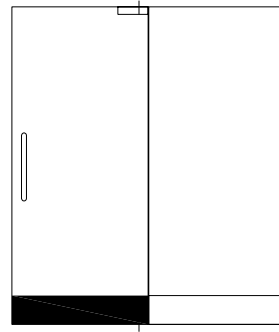
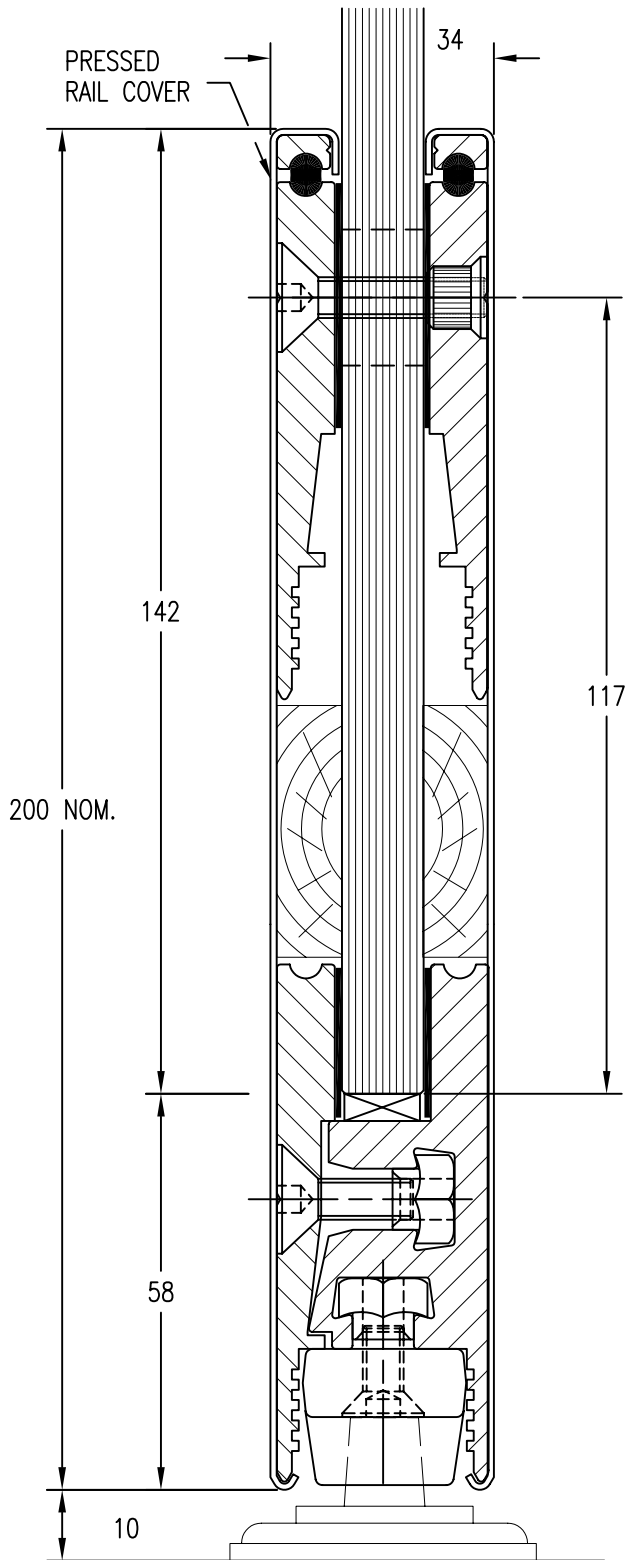
ALUMINIUM

MILL

SAA

S/F

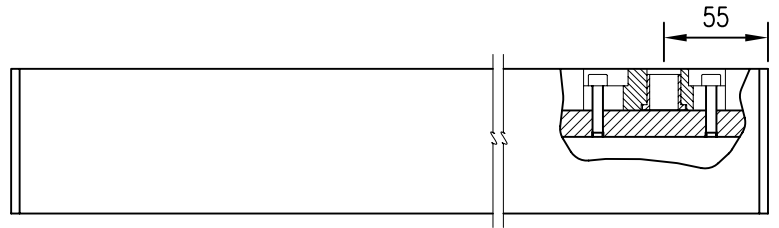
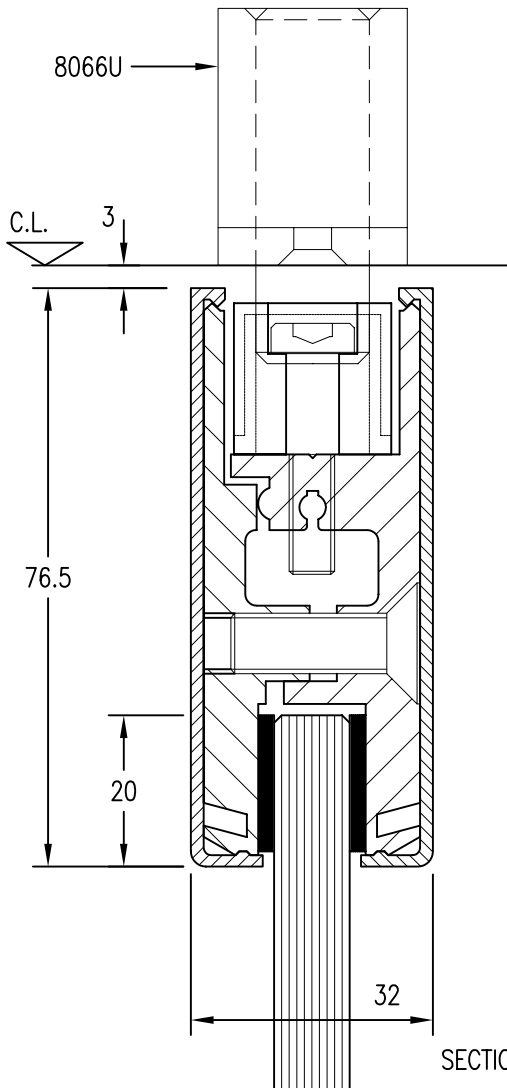
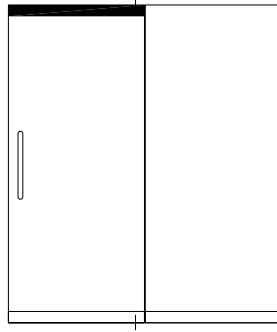
P/S/F



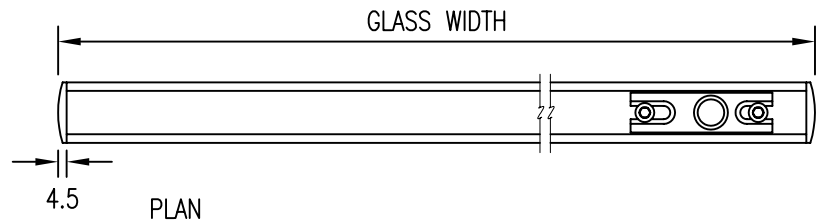
CDS 41V SPECIFICATION: 200mm (Nominal) High Bottom or Top Rail available to suit DORMA Floor Springs or Transom Closers or Sliding Mechanisms.  
 Specify height of Rail minimum 150mm maximum 400mm.  
 Specify glass thickness 10,12 or 15mm.  
 Specify fittings required, including Pivots and Locks.  
 Note: Glass preparation drawings, on request.  
 ILLUSTRATED with CD355 Floor Pivot.

FINISHES:

ALUMINIUM	BRASS	STAINLESS
MILL	PBU	SSS
SAA	CP	PSS
S/F	SCP	
P/S/F		



ELEVATION

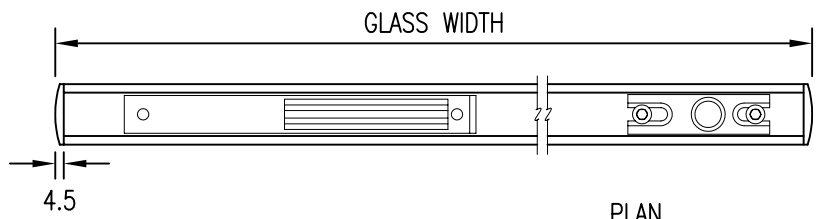
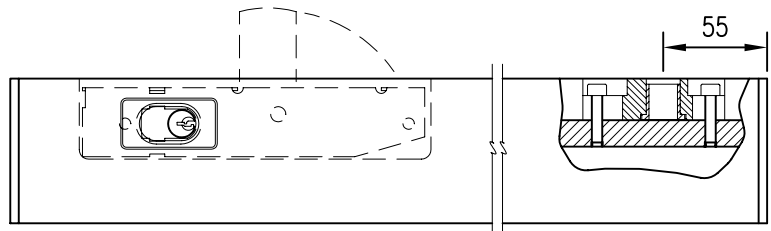
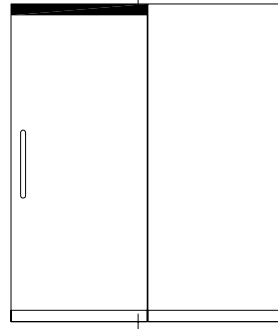
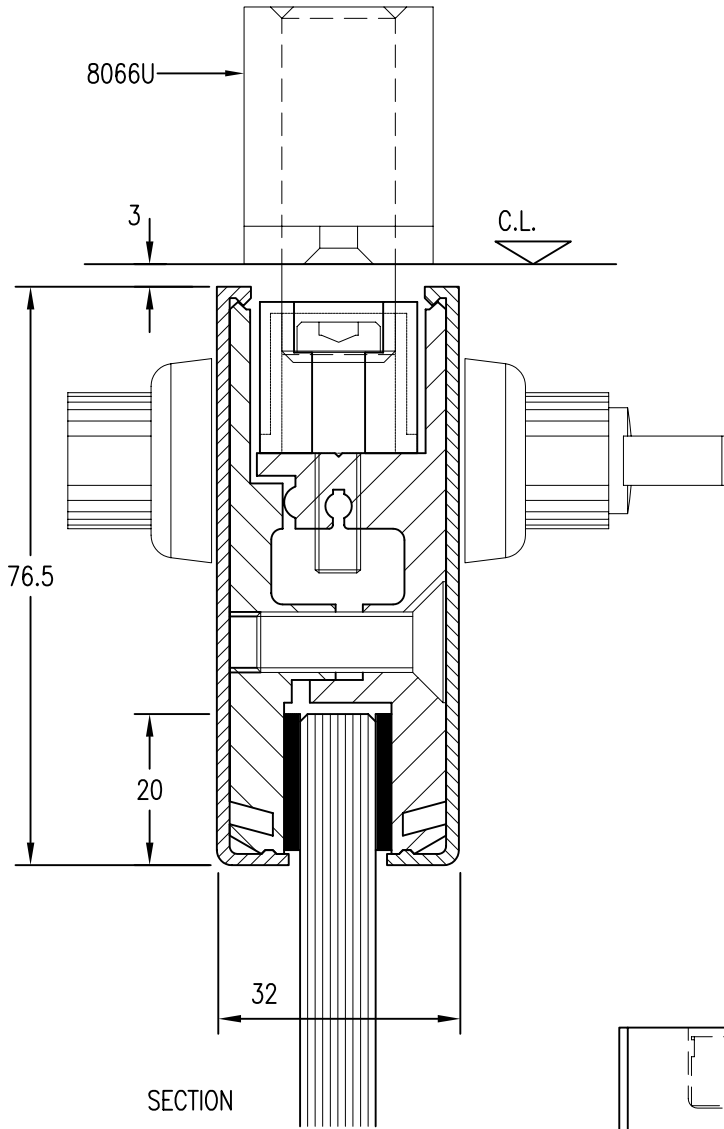


PLAN

358TR1 SPECIFICATION: UNIVERSAL 76.5mm High Top Door Rail complete with insert to suit DORMA 8066U Top Pivot.  
 Adjustable Pivot Point 55/65mm specify as required.  
 Specify Glass Thickness 10, 12mm.  
 Specify Alternative Rail Height 100mm.  
 ILLUSTRATED with 8066U Top Pivot.

FINISHES:

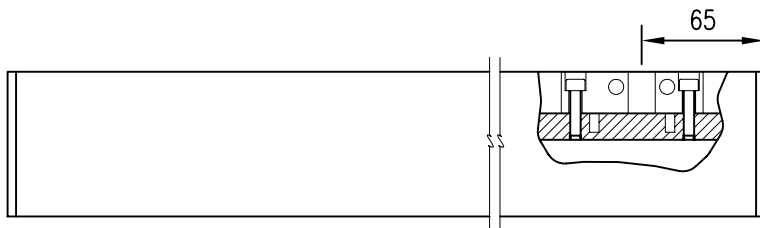
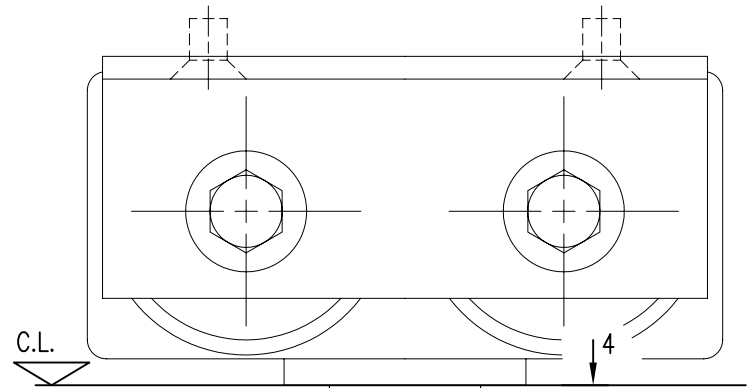
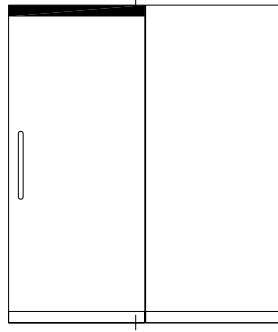
ALUMINIUM	BRASS	STAINLESS
MILL	PBU	SSS
SAA	CP	PSS
S/F	SCP	
P/S/F		



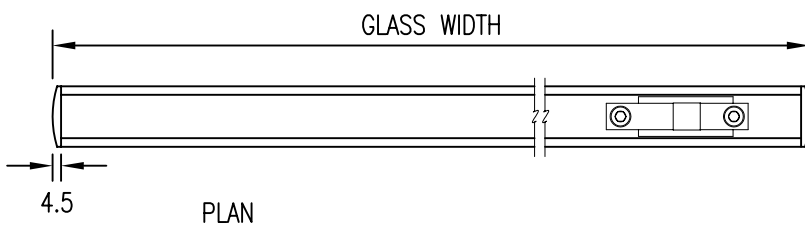
358TR2 SPECIFICATION: UNIVERSAL 76.5mm High Top Door Rail complete with insert and Door Lock [DC590] to suit DORMA 8066U Top Pivot. Adjustable Pivot Point 55/65mm specify as required. Specify Glass Thickness 10, 12mm. Specify Alternative Rail Height 100mm. Specify 358TR2 [NL] for Less Lock. ILLUSTRATED with 8066U Top Pivot.

FINISHES:

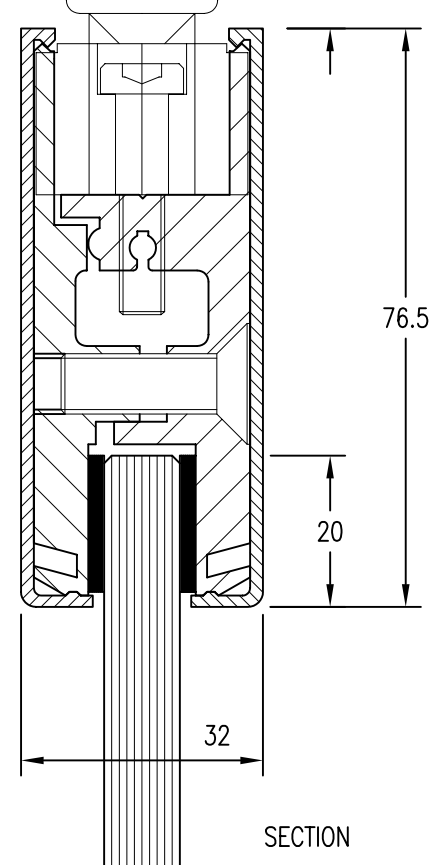
ALUMINIUM	BRASS	STAINLESS
MILL	PBU	SSS
SAA	CP	PSS
S/F	SCP	
P/S/F		



ELEVATION



PLAN

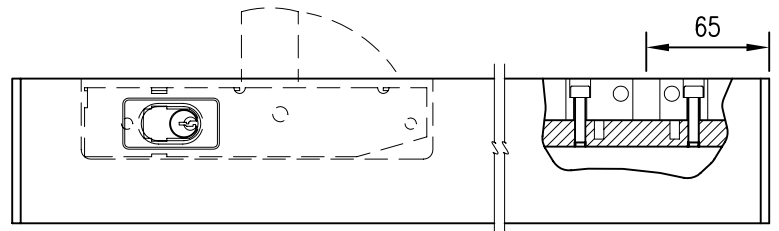
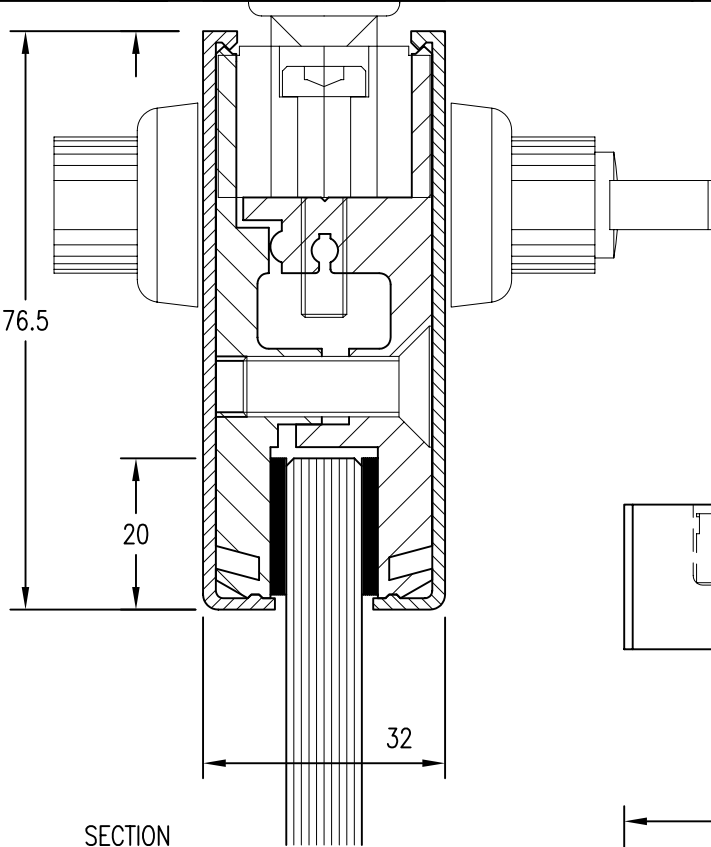
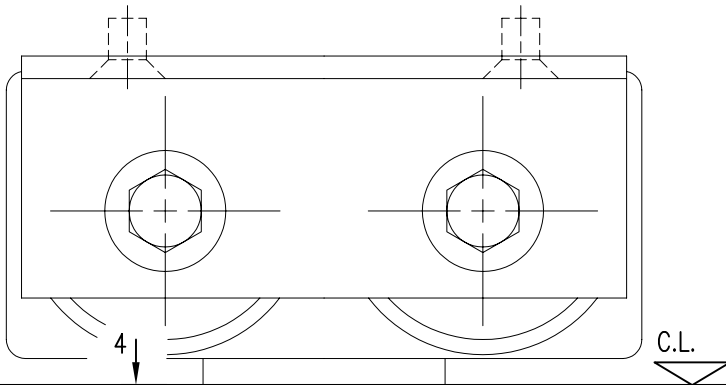
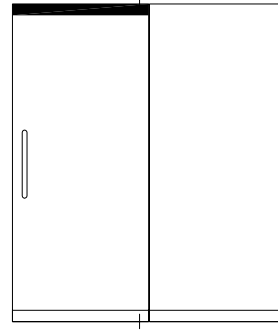


SECTION

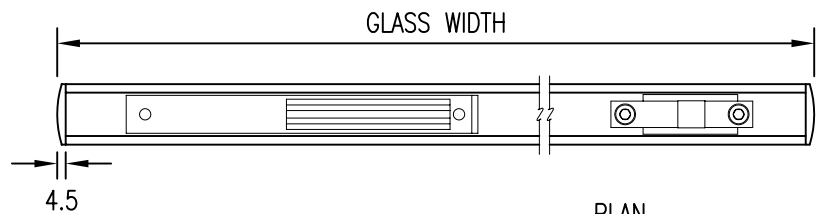
358TR3 SPECIFICATION: UNIVERSAL 76.5mm High Top Door Rail complete with Side Load RTS insert to suit DORMA RTS85 Transom Closer. Standard Pivot Point 65mm. Specify Glass Thickness 10, 12mm. Specify Alternative Rail Height 100mm. ILLUSTRATED with DORMA RTS85 Transom Closer.

FINISHES:

ALUMINIUM	BRASS	STAINLESS
MILL	PBU	SSS
SAA	CP	PSS
S/F	SCP	
P/S/F		



ELEVATION

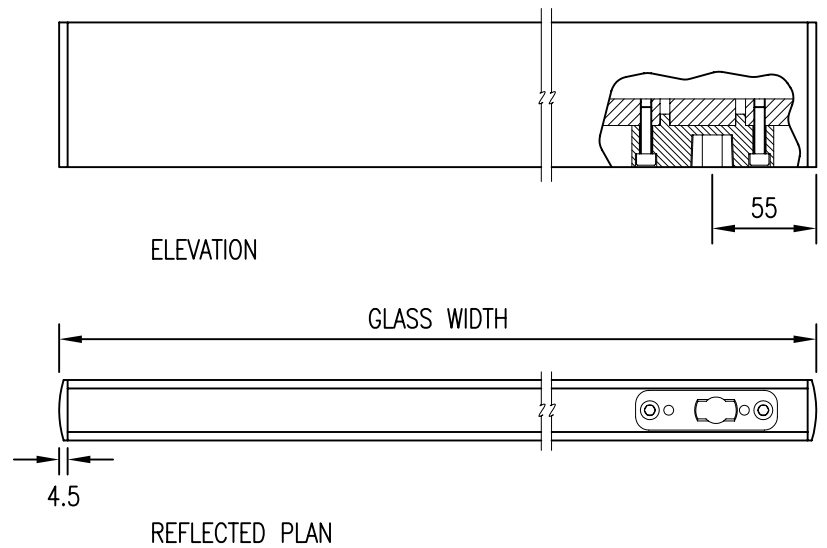
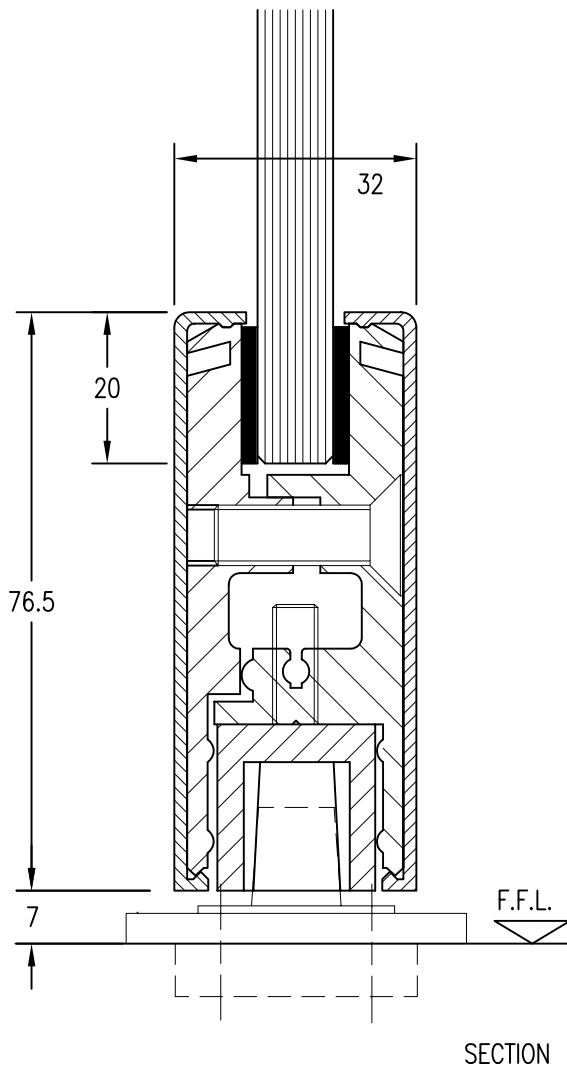
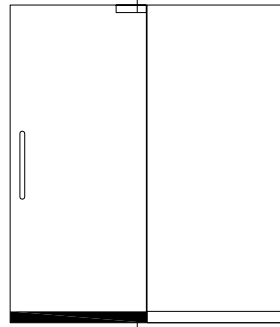


PLAN

358TR4 SPECIFICATION: UNIVERSAL 76.5mm High Top Door Rail complete with Side Load RTS Insert and Door Lock [DC590] to suit DORMA RTS Transom Closer.  
 Standard Pivot Point 65mm.  
 Specify Glass Thickness 10, 12mm.  
 Specify Alternative Rail Height 100mm.  
 Specify 358TR4 [NL] for Less Lock.  
 ILLUSTRATED with DORMA RTS85 Transom Closer.

FINISHES:

ALUMINIUM	BRASS	STAINLESS
MILL	PBU	SSS
SAA	CP	PSS
S/F	SCP	
P/S/F		

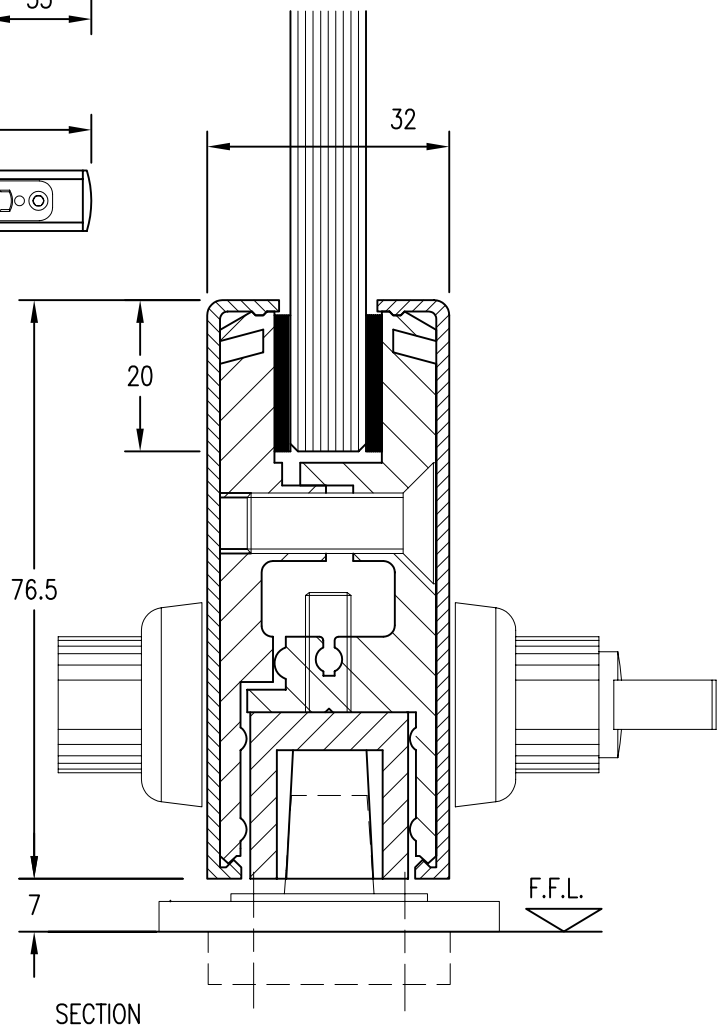
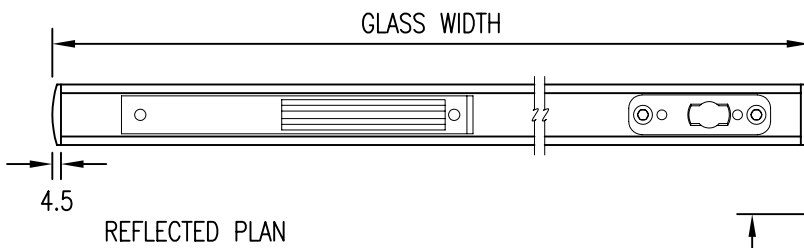
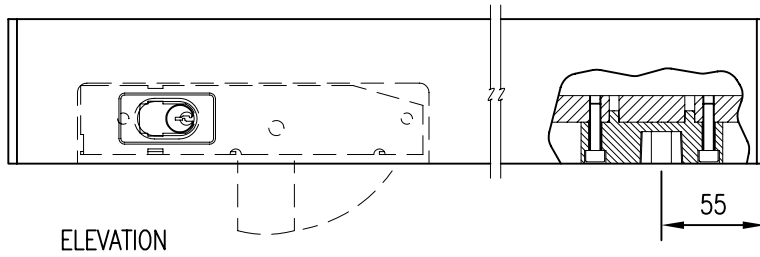
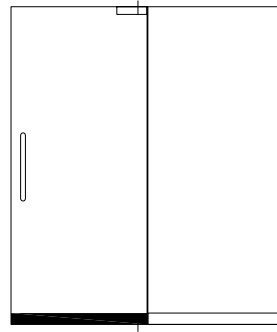


**358BR1 SPECIFICATION:** UNIVERSAL 76.5mm High Bottom Door Rail complete with insert to suit DORMA Floor Spring or Pivot Bearing. Pivot Point 55/65mm specify as required. Specify Glass Thickness 10, 12mm. Specify Alternative Rail Height 100mm. ILLUSTRATED with 355.5 Floor Pivot Bearing.

FINISHES:

ALUMINIUM	BRASS	STAINLESS
MILL	PBU	SSS
SAA	CP	PSS
S/F	SCP	
P/S/F		

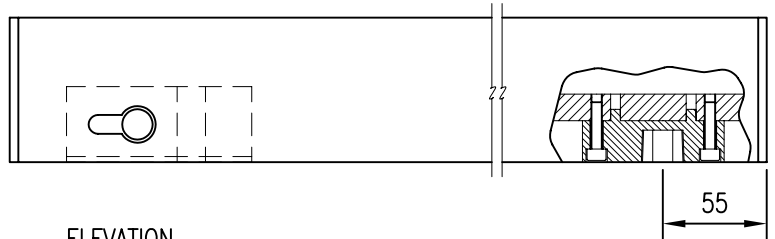
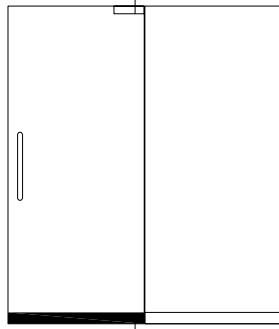




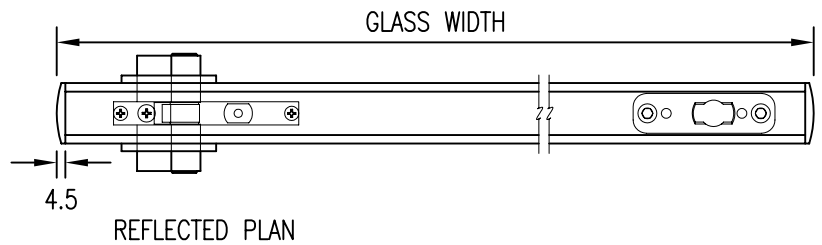
358BR2 SPECIFICATION: UNIVERSAL 76.5mm High Bottom Door Rail complete with Insert and Door Lock [DC590] to suit DORMA Floor Spring or Pivot Bearing.  
 Pivot Point 55/65mm specify as required.  
 Specify Glass Thickness 10, 12mm.  
 Specify Alternative Rail Height 100mm.  
 Specify 358BR2 [NL] for Less Lock.  
 ILLUSTRATED with 355.5 Floor Pivot Bearing.

FINISHES:

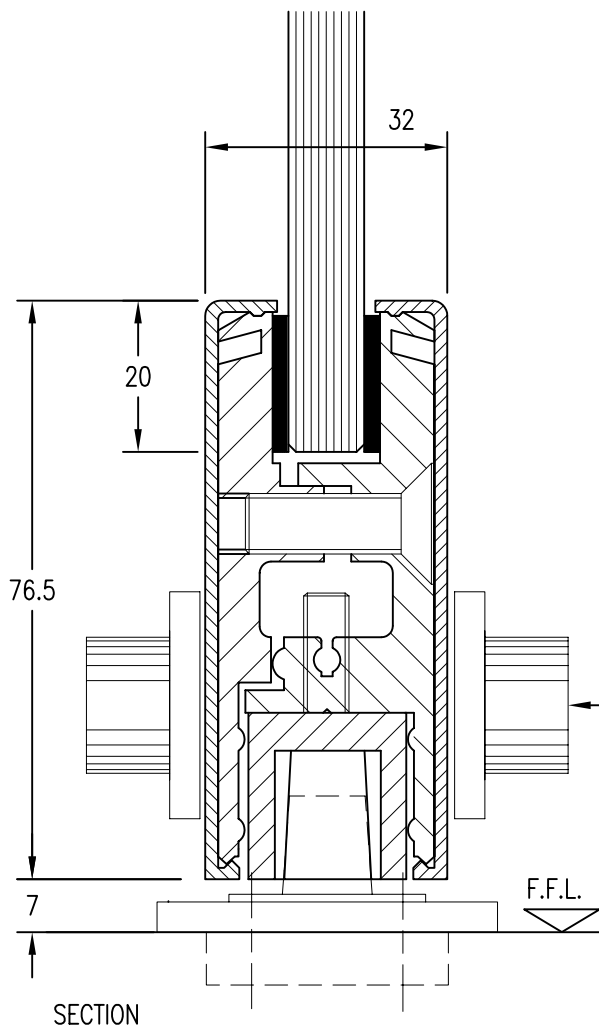
ALUMINIUM	BRASS	STAINLESS
MILL	PBU	SSS
SAA	CP	PSS
S/F	SCP	
P/S/F		



ELEVATION



REFLECTED PLAN



SECTION

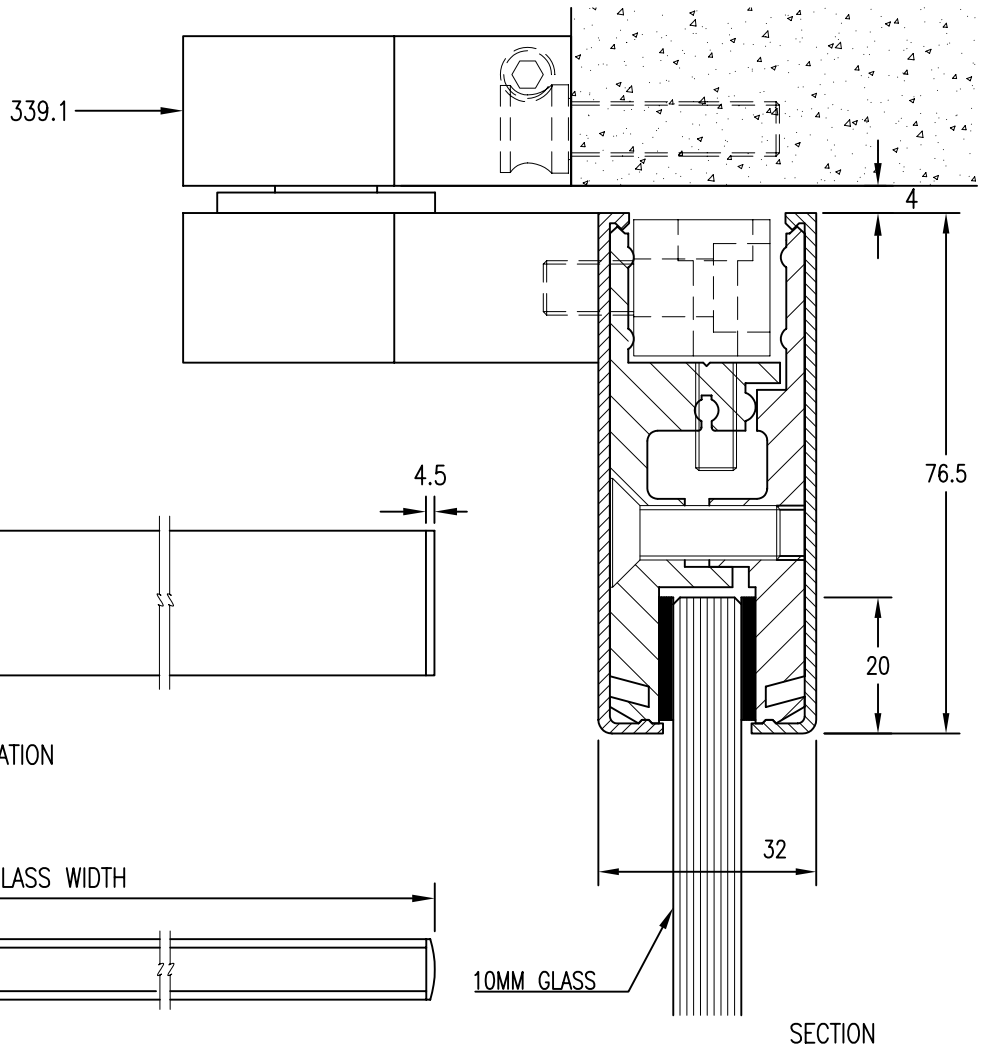
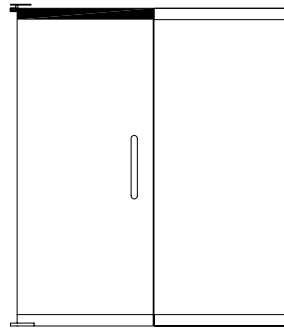
OPTIONAL - CD68 & PROFILE ESCUTCHEONS  
 CYLINDER/TURN  
 DOUBLE CYLINDER  
 SINGLE CYLINDER  
 SINGLE TURN

358BR3 SPECIFICATION: UNIVERSAL 76.5mm High Bottom Door Rail complete with Insert and Euro US10 Pin Lock Body and 05-193 Spring Ferrule to suit DORMA Floor Spring or Pivot Bearing. Pivot Point 55/65mm specify as required. Specify Glass Thickness 10, 12mm. Specify Alternative Rail Height 100mm. Specify 358BR2 [NL] for Less Lock. ILLUSTRATED with 355.5 Floor Pivot Bearing.

FINISHES:

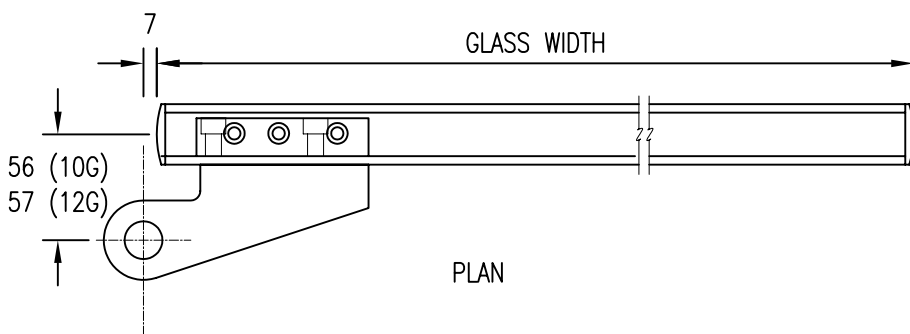
ALUMINIUM	BRASS	STAINLESS
MILL	PBU	SSS
SAA	CP	PSS
S/F	SCP	
P/S/F		

# DOOR RAILS ■ 358TR O/S



ELEVATION

SECTION

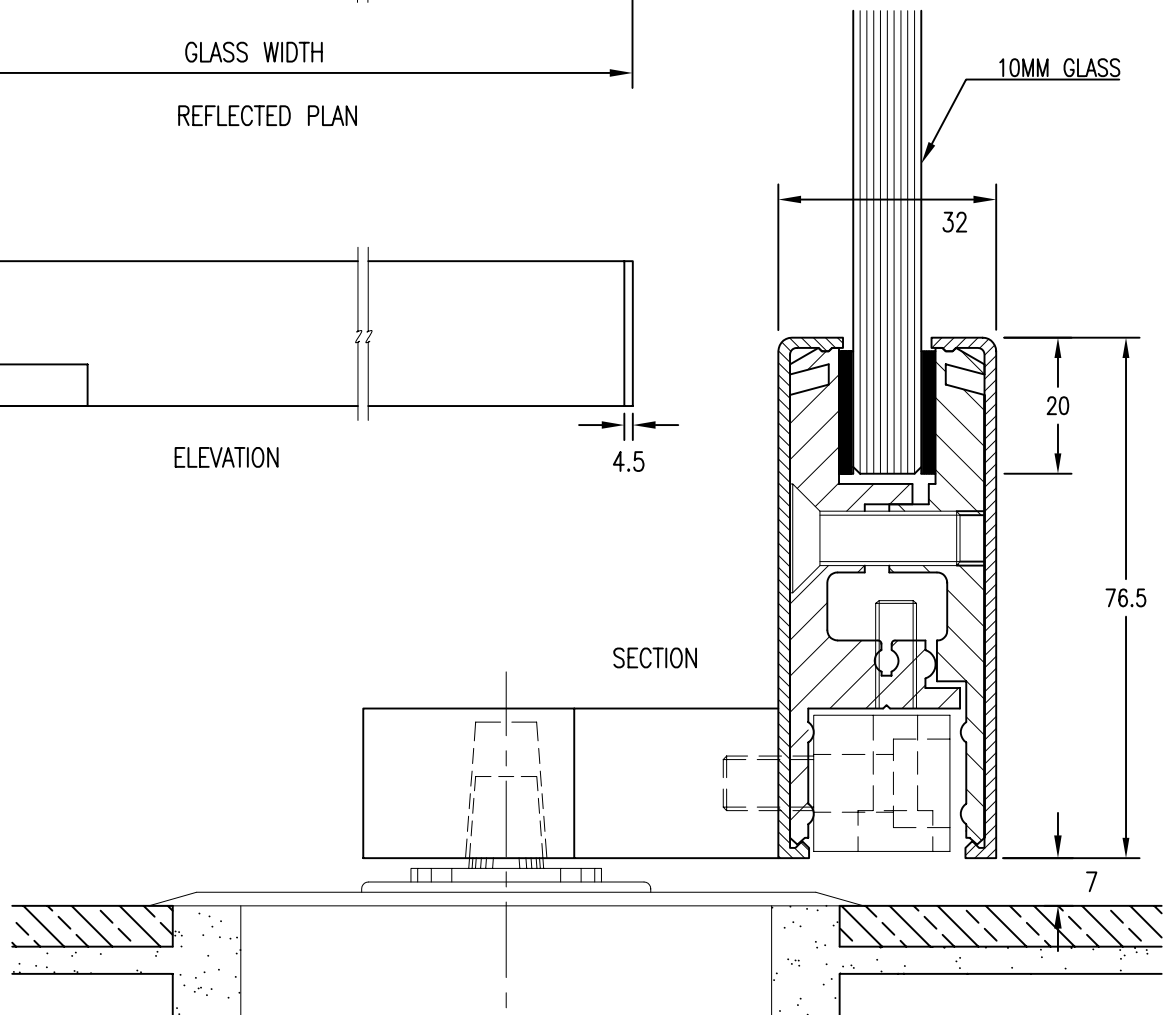
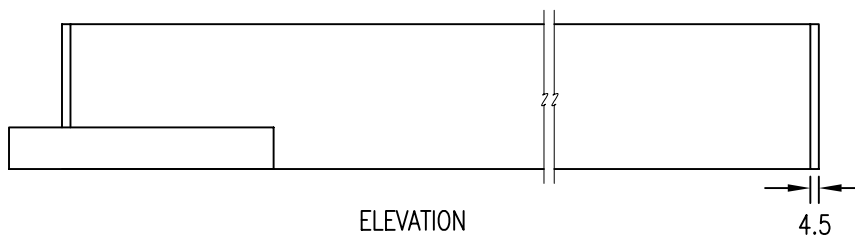
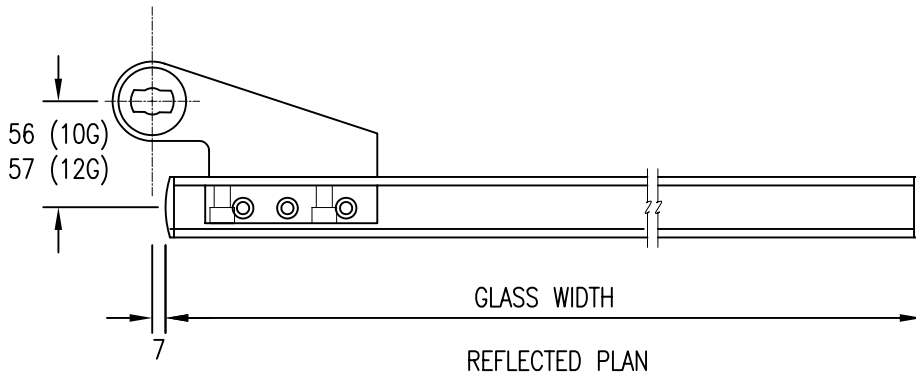
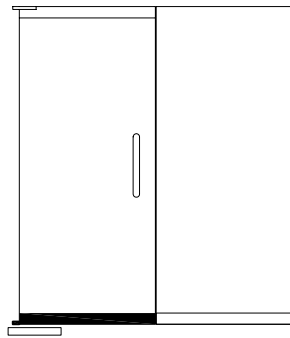


PLAN

358TR O/S SPECIFICATION: 76.5mm High Top Door Rail complete with Offset Pivot Arm to suit DORMA Offset Pivot Assemblies.  
 Specify Glass Thickness 10, 12mm.  
 Specify Alternative Rail Height 100mm.  
 SPECIFY HANDING: LH / RH, [LEFT HAND DRAWN]  
 SPECIFY LOCKING: Door Lock [DC590], [US10PIN]  
 ILLUSTRATED: 339.1 Upper Frame Portion  
 NOTE: Offset Pivot Assembly finished in SAA only.  
 MAX DOOR WEIGHT: 100kgs

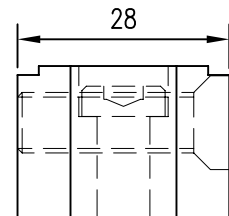
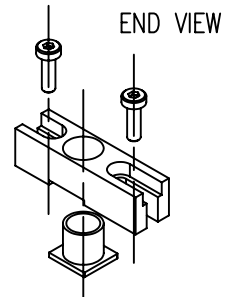
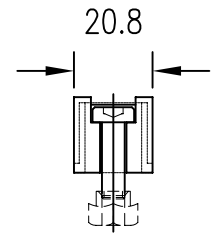
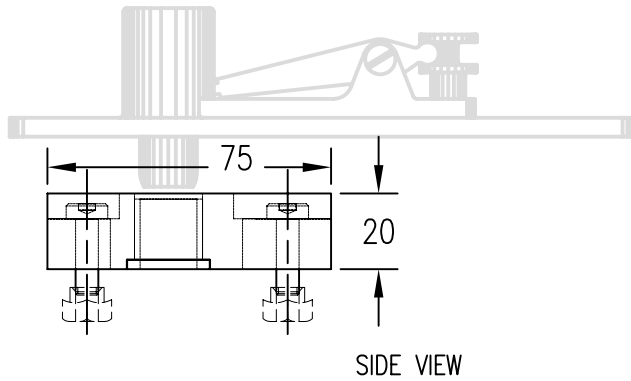
FINISHES:

ALUMINIUM	BRASS	STAINLESS
MILL	PBU	SSS
SAA	CP	PSS
S/F	SCP	
P/S/F		



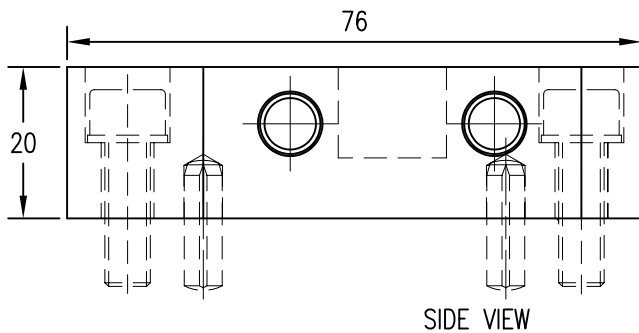
**358BR O/S SPECIFICATION:** 76.5mm High Bottom Door Rail complete with Offset Pivot Arm to suit DORMA Floor Spring and Pivot Bearings. Specify Glass Thickness 10, 12mm. Specify Alternative Rail Height 100mm or as required. SPECIFY HANDING: LH / RH, [RIGHT HAND DRAWN] SPECIFY LOCKING: Door Lock [DC590], [US10PIN] ILLUSTRATED: DORMA Floor Spring NOTE: Offset Pivot Assembly finished in SAA only. MAX DOOR WEIGHT: 100kgs

<u>FINISHES:</u>		
ALUMINIUM	BRASS	STAINLESS
MILL	PBU	SSS
SAA	CP	PSS
S/F	SCP	
P/S/F		



**355.0**

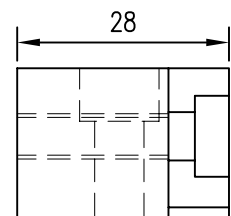
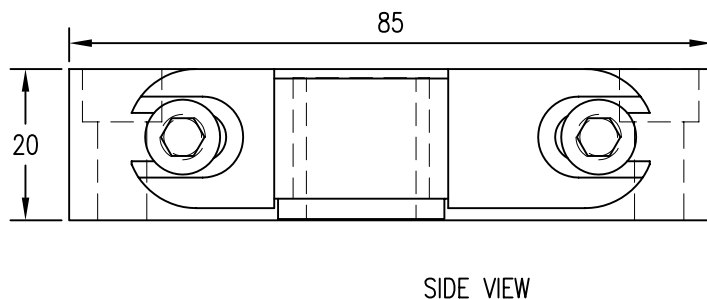
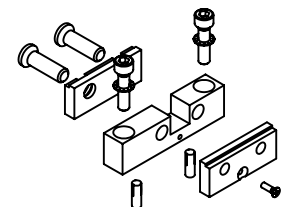
SPECIFICATION:  
Universal Top Rail Pivot Insert to suit  
Walking Beam Pivot. (ILLUSTRATED)



END VIEW

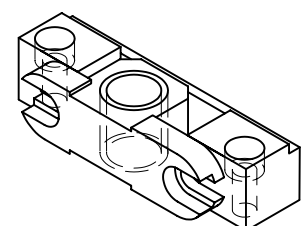
**355.4**

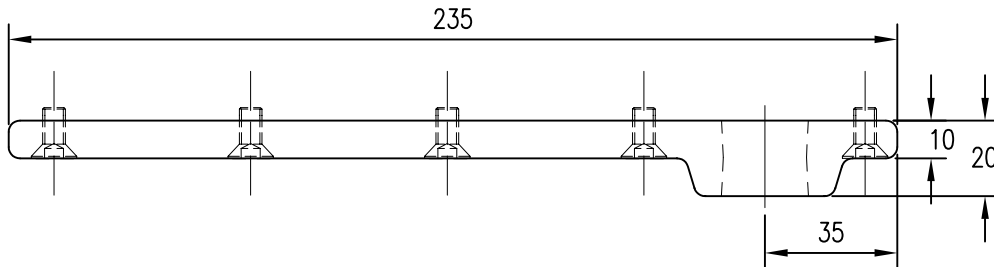
SPECIFICATION:  
Universal Top RTS Rail Insert to suit  
DORMA RTS Transom Closer.



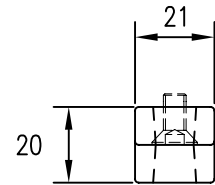
**355.9**

SPECIFICATION:  
Universal Top Rail Side Load Pivot Insert.  
To suit PT24





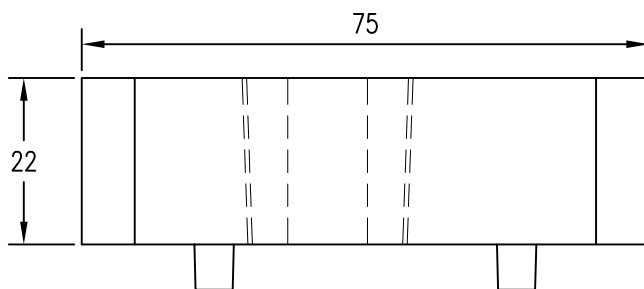
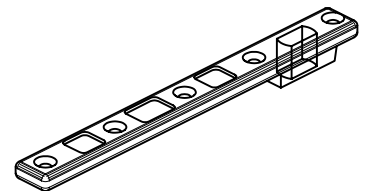
SIDE VIEW



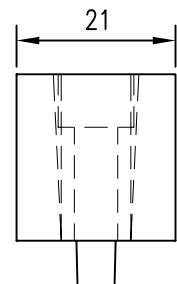
END VIEW

**7421.4**

SPECIFICATION:  
 Universal Bottom Strap Pack to suit Universal Rail  
 and DORMA Floor Spring or Pivot Bearing.



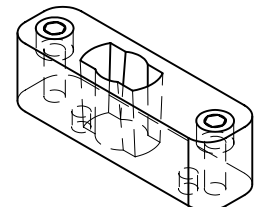
SIDE VIEW

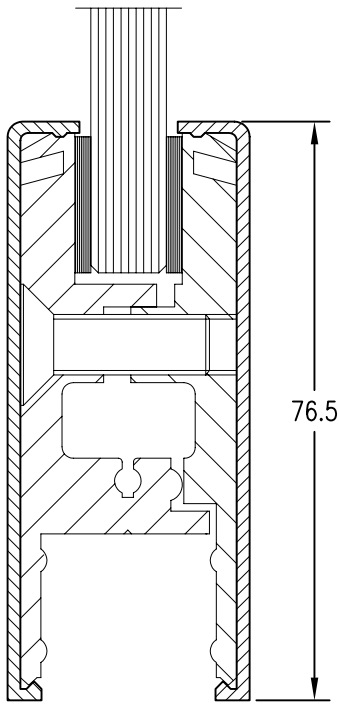


END VIEW

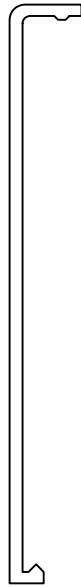
**355.1**

SPECIFICATION:  
 Universal Bottom Rail Pivot Insert  
 to suit DORMA Floor Spring or Floor Pivot Bearing.

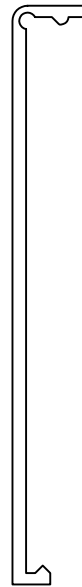




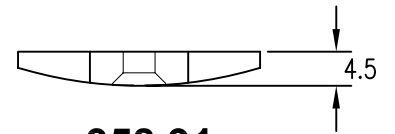
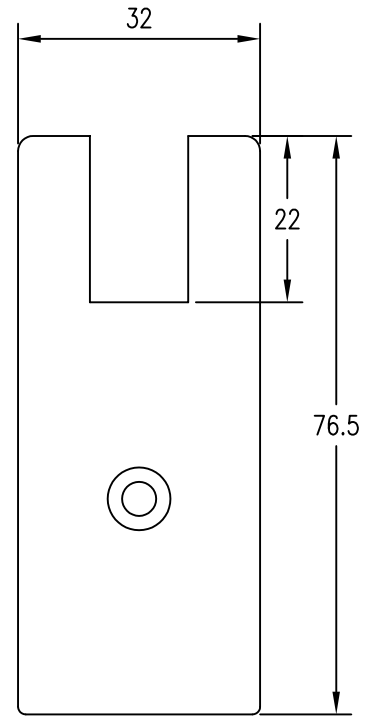
SECTION



**358.51**  
RAIL COVER  
S/S, PSS, PBU

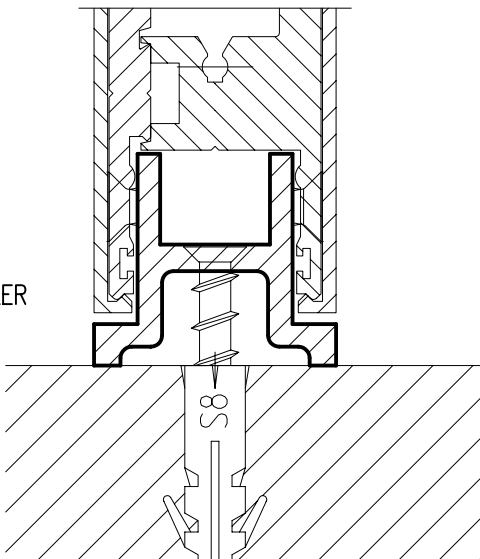


**358.51**  
RAIL COVER  
ALUMINIUM

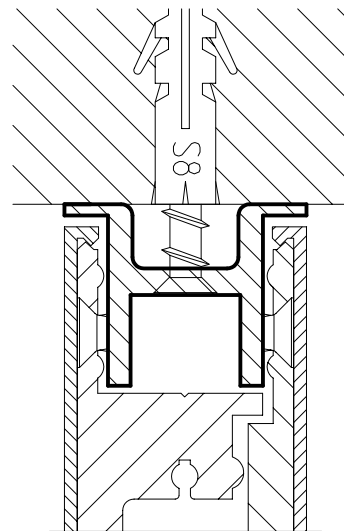


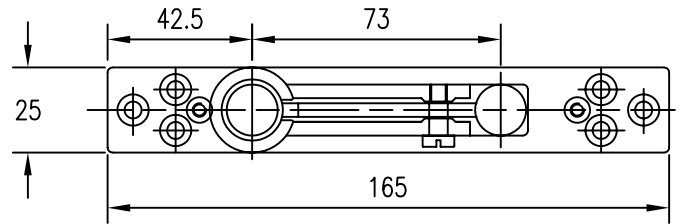
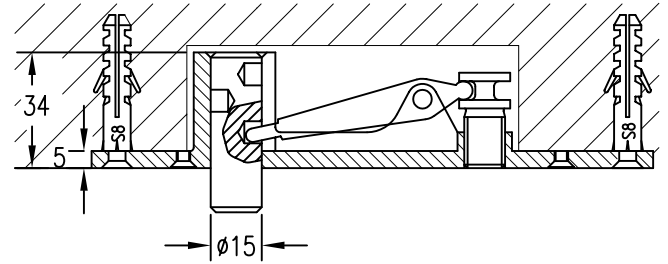
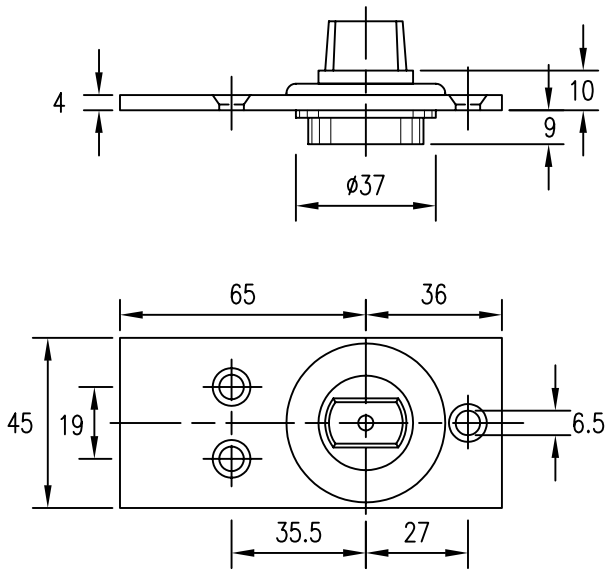
**358.91**  
STD END CAP

**358.71**  
BOTTOM FILLER



**358.72**  
TOP FILLER



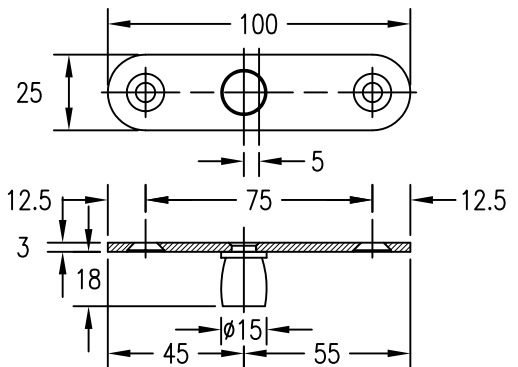
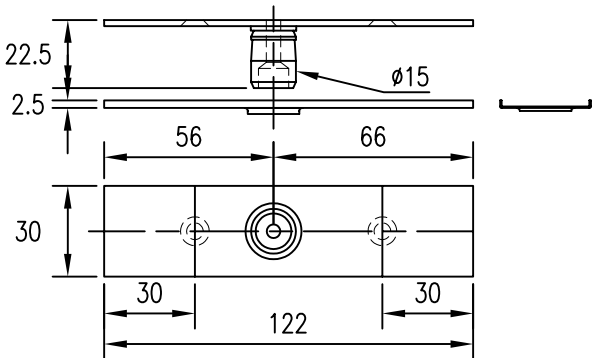


**CD355**

FLOOR PIVOT BEARING with 2.5MM EXTENSION  
 MAX DOOR WEIGHT - 110Kg with RTS CLOSER  
 MAX DOOR WEIGHT - 200Kg with FREE PIVOT

**8066U**

WIND DOWN 15MM UPPER PIVOT ASSEMBLY

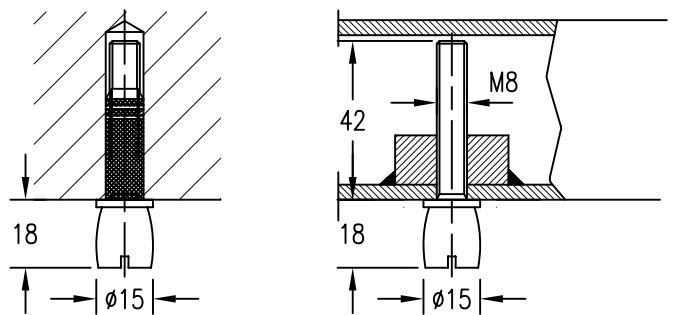
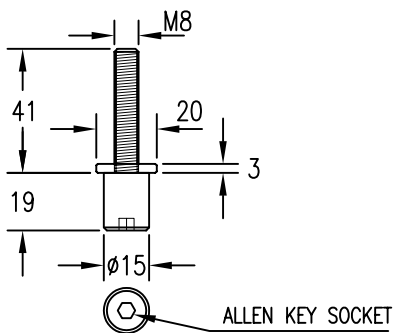


**CD58**

15MM UPPER PIVOT ASSEMBLY WITH COVER

**PT24**

FIXED PLATE 15MM UPPER PIVOT ASSEMBLY



**CD59**

M8 THREADED 15MM UPPER PIVOT

**PT25**

M8 THREADED 15MM UPPER PIVOT