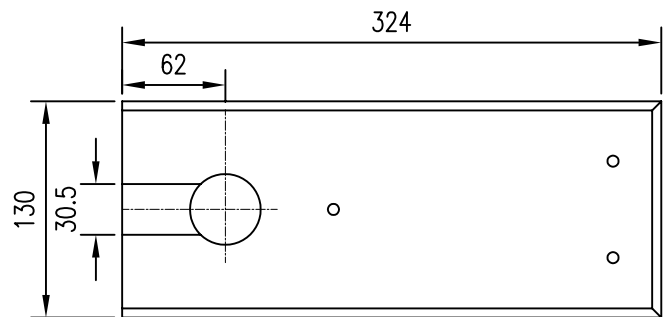
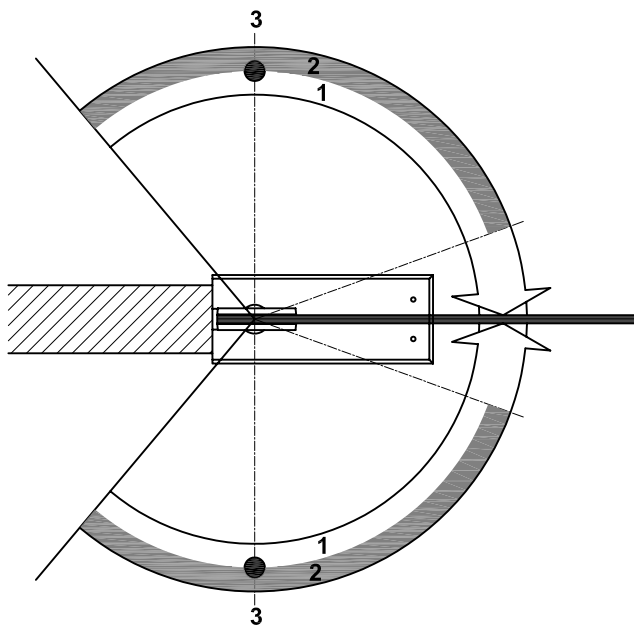
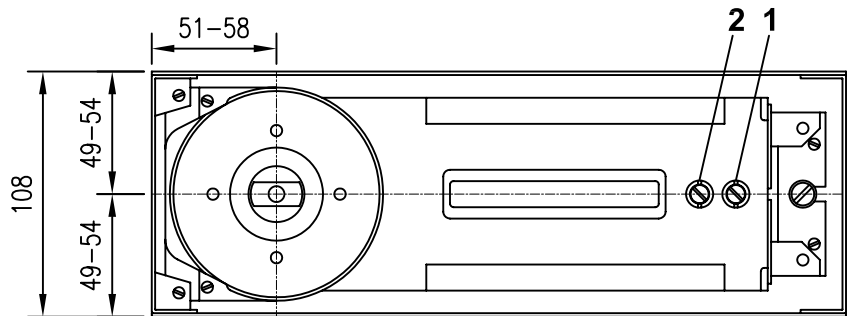
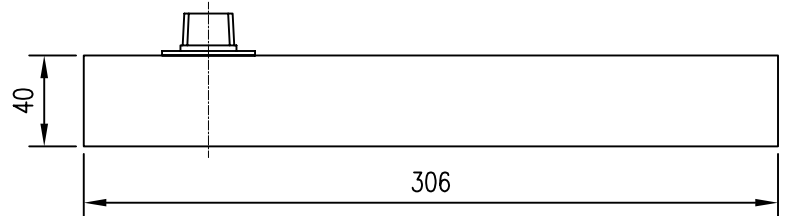
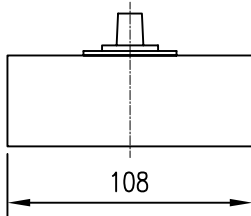
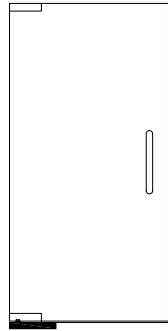




Architectural Glass Fittings Catalogue

Door Control Hardware	Section	1
Rail Assemblies	Section	2
Patch Fittings	Section	3
Patch Locks	Section	4
Commercial Door Handles	Section	5
Point Fixings, Spacers & Hinges	Section	6
Shower Fittings	Section	7
Sliding Door & Operable Wall Systems	Section	8
Pool Gate & Balustrade Fittings	Section	9
Structural Fittings	Section	10
Panic Hardware	Section	11
Miscellaneous Hardware	Section	12



8410 COVER PLATE

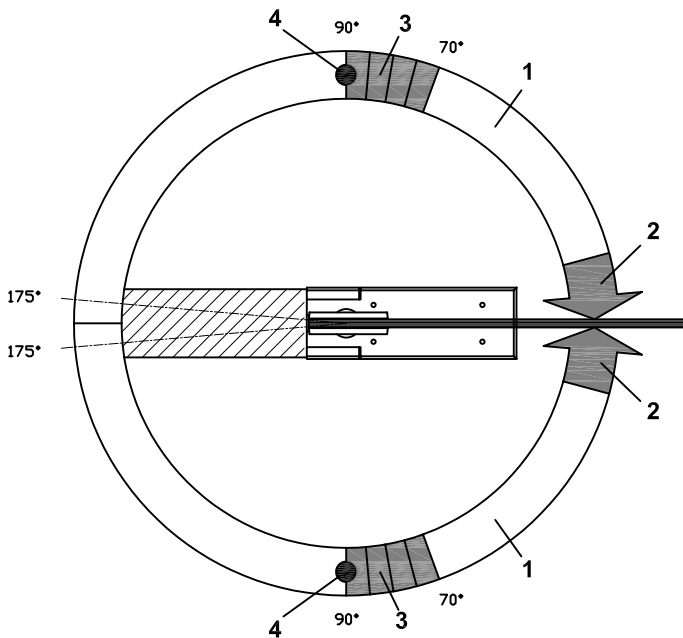
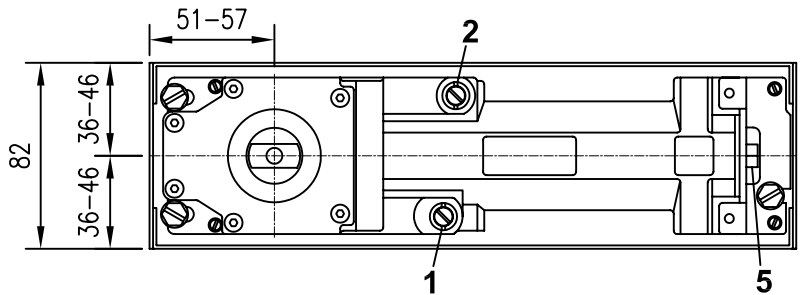
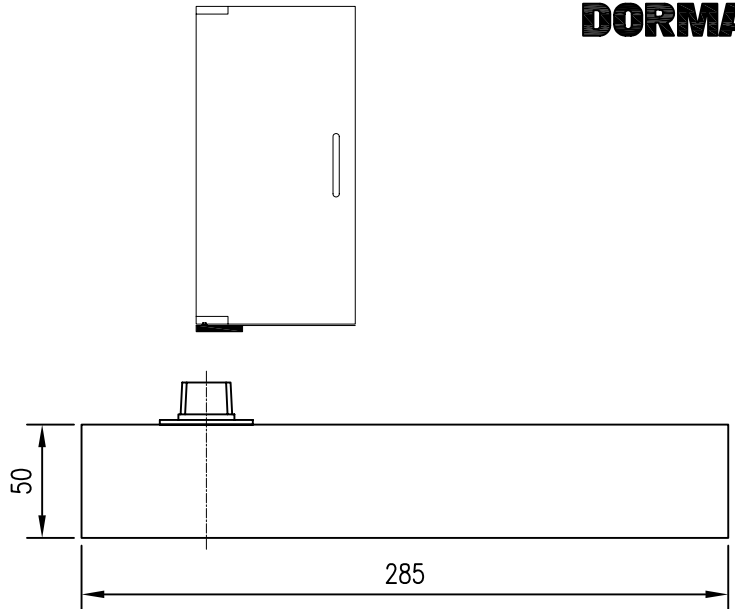
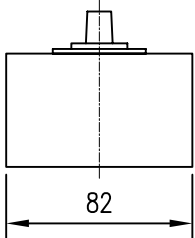
- 1. First adjusting closing range (130° - 0°)
- 2. Second adjusting closing range (130° - approx. 20°)
- 3. Hold open at 90° (optional extra)

BTS84 SPECIFICATION: DORMA BTS84 Floor Spring, suited to doors up to 100kg's in weight and 1100mm wide.

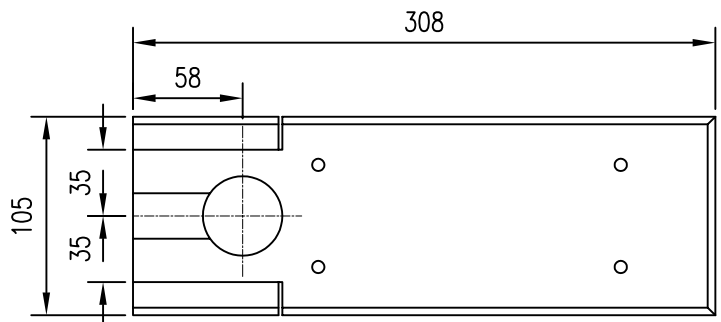
Specify: BTS84.15.HO – EN2 Spring Strength, Hold Open
 BTS84.15.NHO – EN2 Spring Strength, Non Hold Open
 BTS84.HO – EN4 Spring Strength, Hold Open
 BTS84.NHO – EN4 Spring Strength, Non Hold Open

8410 FINISHES:

BRASS	STAINLESS
SB	SSS
PBU	PSS



1. Adjustable closing speed in the range 175° - 15°
2. Adjustable closing speed in the range 15° - 0°
3. Mechanical backcheck (from approx. 70°).
4. Fixed hold-open at 90°
5. Adjustable spring strength (EN 1-4)

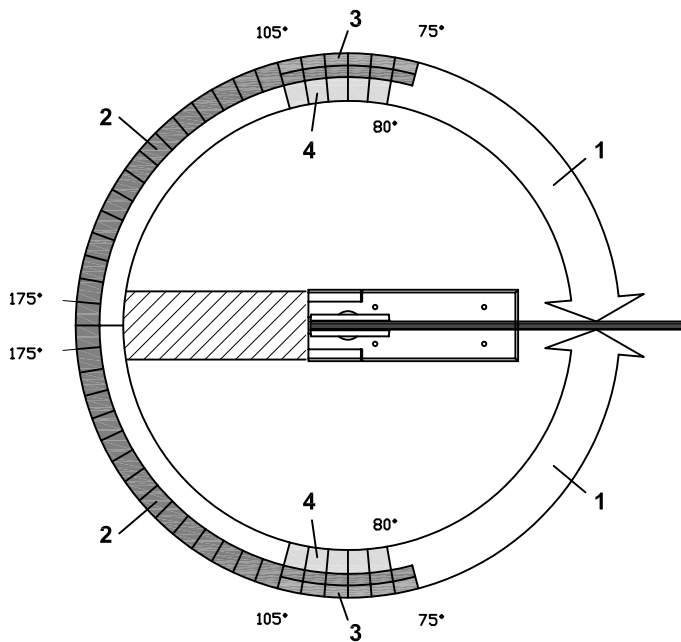
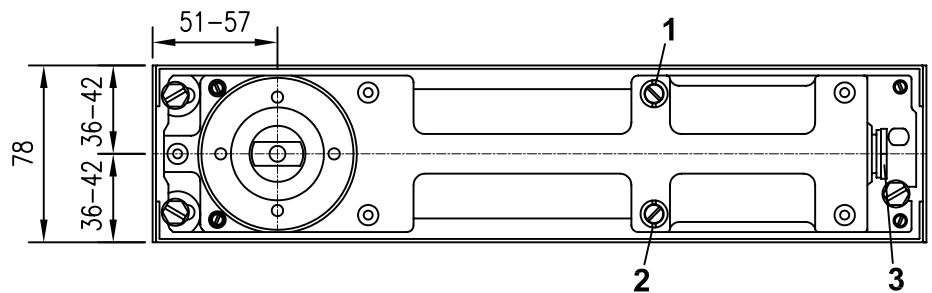
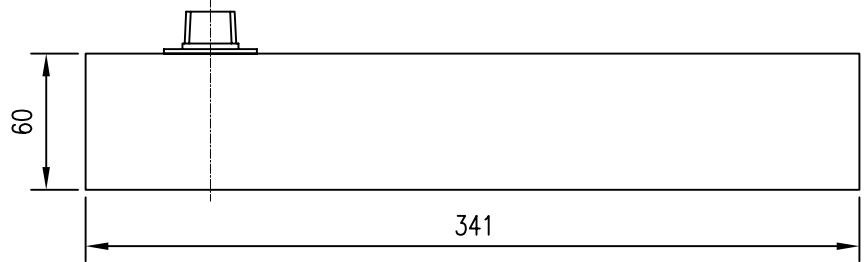
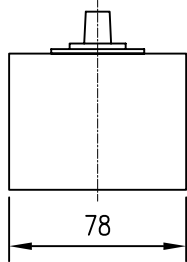
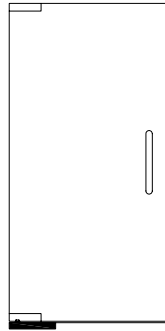


7510 COVER PLATE

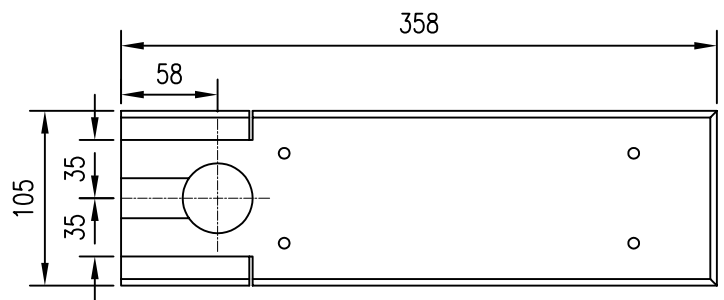
BTS75V SPECIFICATION: DORMA BTS75V Variable Spring Strength Floor Spring, suited to doors up to 120kg's in weight and 1100mm wide.
Specify: BTS75.HO - EN1-4 Spring Strength, Hold Open
BTS75.NHO - EN1-4 Spring Strength, Non Hold Open

7510 FINISHES:

BRASS	STAINLESS
SB	SSS
PBU	PSS



- 1. Adjustable closing speed
- 2. Hold-open range or delayed action range
- 3. Adjustable range - point at which hold-open begins, or end of delayed action range (approx. 75° to 105°).
- 4. Mechanical backcheck (from approx. 80°)



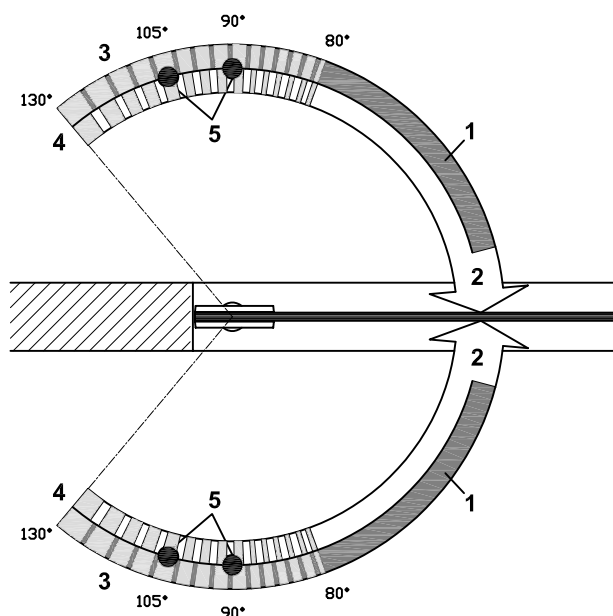
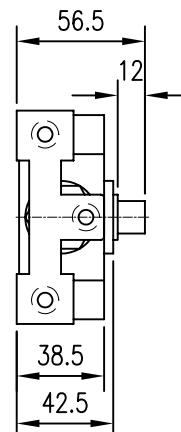
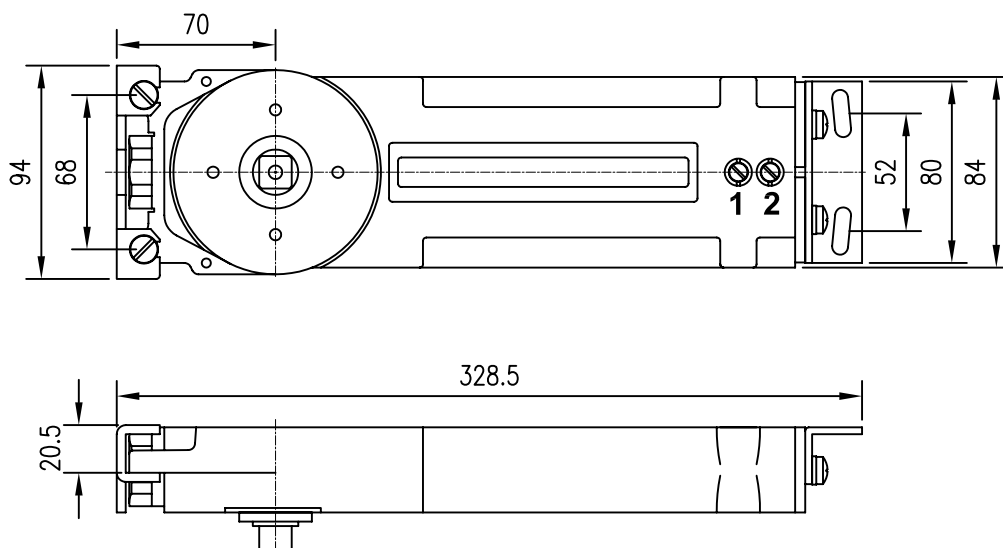
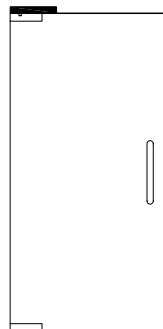
7410 COVER PLATE

BTS80 SPECIFICATION: DORMA BTS80 Heavy Duty Floor Spring, suited to doors up to 300kg's in weight and 1400mm wide. Floor Spring includes engageable Hold Open as standard.

Specify: BTS80.15 – EN3 Spring Strength, Engageable Hold Open
 BTS80 – EN4 Spring Strength, Engageable Hold Open
 BTS80.53 – EN6 Spring Strength, Engageable Hold Open

7410 FINISHES:

BRASS	STAINLESS
SB	SSS
PBU	PSS

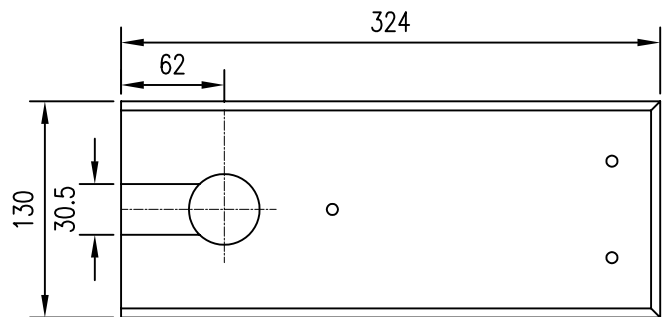
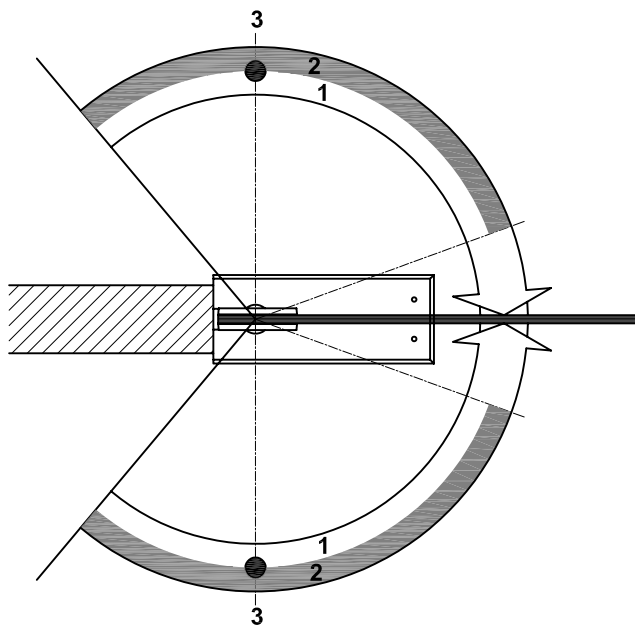
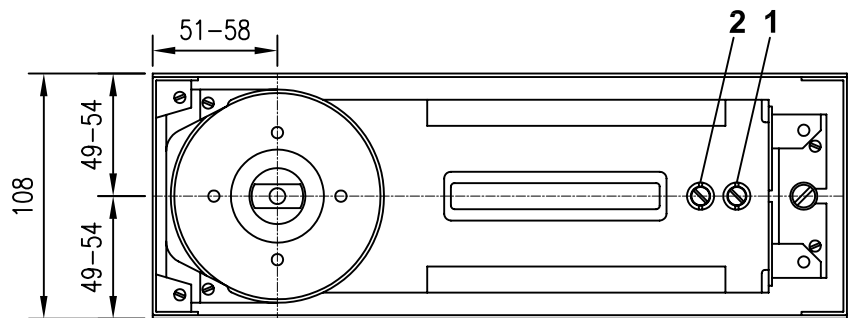
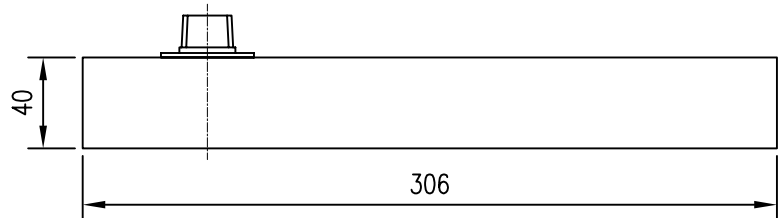
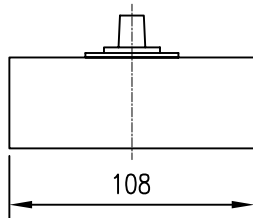
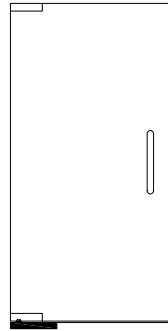


1. Fully controlled closing with adjustable speed (130° to 20°)
2. Adjustable final closing (130° to 0°)
3. Progressive mechanical backcheck (80° to 130°)
4. Mechanical backstop**
5. Hold-open points - depending on model (optional) 105° or 90°

** Door opening angle max. 130° on both sides.

RTS85 SPECIFICATION: DORMA RTS85 Transom Closer suited to doors up to 1250mm wide.

Specify: RTS85/2.HO – EN2 Spring Strength, Hold Open
 RTS85/2.NHO – EN2 Spring Strength, Non Hold Open
 RTS85/3.HO – EN3 Spring Strength, Hold Open
 RTS85/3.NHO – EN3 Spring Strength, Non Hold Open
 RTS85/4.HO – EN4 Spring Strength, Hold Open
 RTS85/4.NHO – EN4 Spring Strength, Non Hold Open
 RTS85/5.HO – EN5 Spring Strength, Hold Open
 RTS85/5.NHO – EN5 Spring Strength, Non Hold Open



8410 COVER PLATE

1. First adjusting closing range (130° - 0°)
2. Second adjusting closing range (130° - approx. 20°)
3. Hold open at 90° (optional extra)

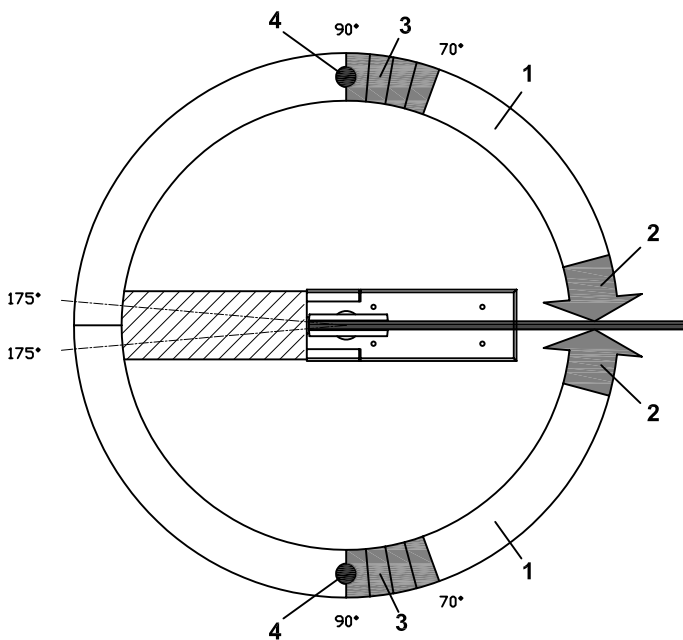
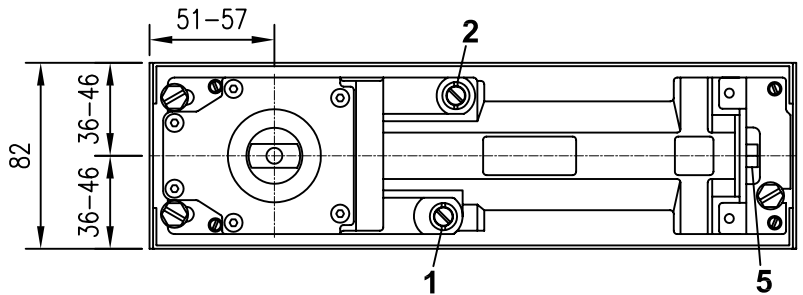
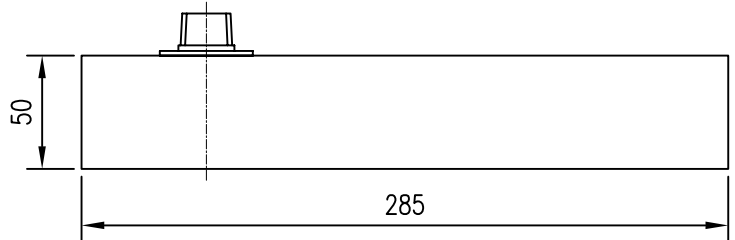
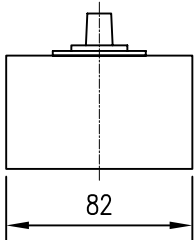
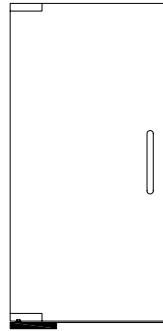
**** Door opening angle maximum 130° on both sides. In the case of doors which can be opened further door stops must be used.**

BTS84 SPECIFICATION: DORMA BTS84 Floor Spring, suited to doors up to 100kg's in weight and 1100mm wide.

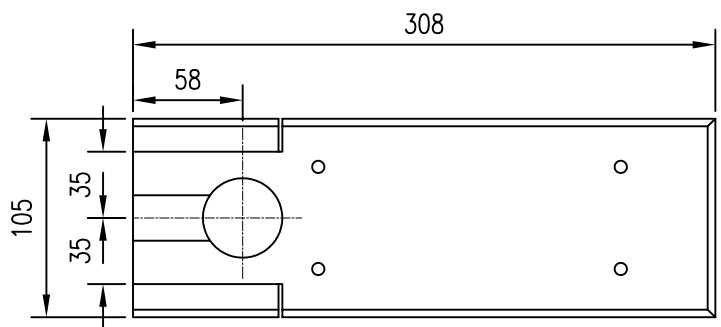
Specify: BTS84.15.HO – EN2 Spring Strength, Hold Open
 BTS84.15.NHO – EN2 Spring Strength, Non Hold Open
 BTS84.HO – EN4 Spring Strength, Hold Open
 BTS84.NHO – EN4 Spring Strength, Non Hold Open

8410 FINISHES:

BRASS	STAINLESS
SB	SSS
PBU	PSS



1. Adjustable closing speed in the range 175° - 15°
2. Adjustable closing speed in the range 15° - 0°
3. Mechanical backcheck (from approx. 70°).
4. Fixed hold-open at 90°
5. Adjustable spring strength (EN 1-4)

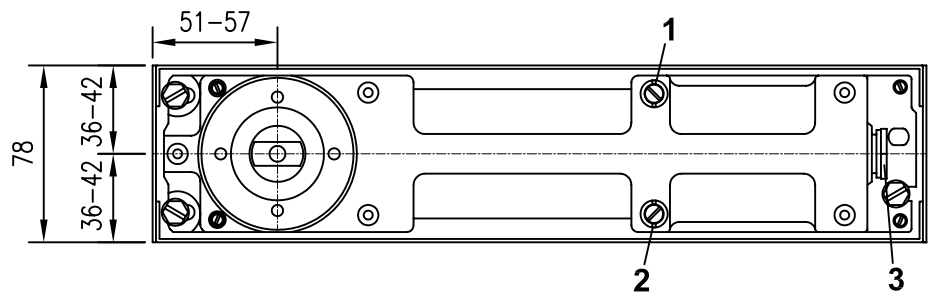
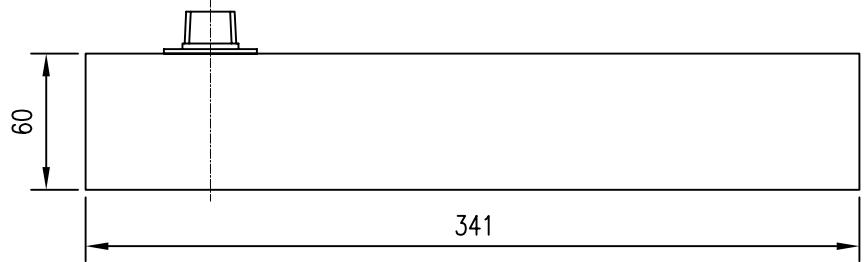
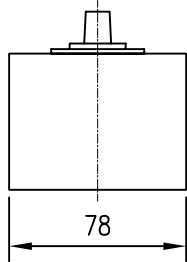
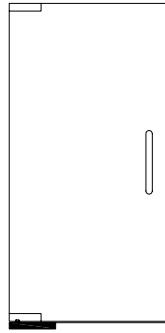


7510 COVER PLATE

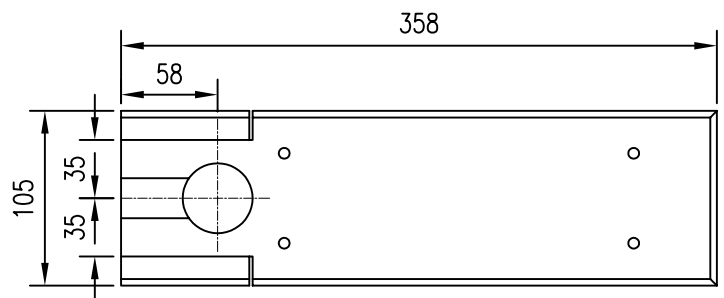
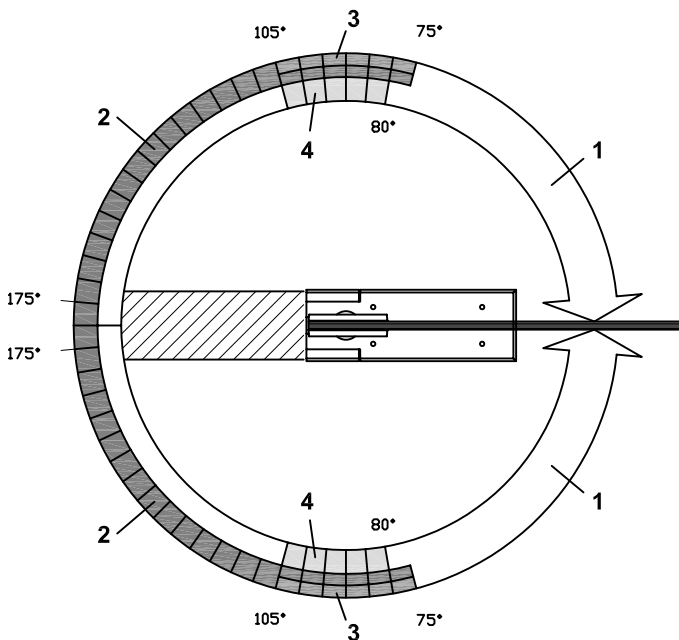
BTS75V SPECIFICATION: DORMA BTS75V EN1-4 Variable Spring Strength Floor Spring, suited to doors up to 120kg's in weight and 1100mm wide.
Specify: BTS75.HO - EN1-4 Spring Strength, Hold Open
BTS75.NHO - EN1-4 Spring Strength, Non Hold Open

7510 FINISHES:

BRASS	STAINLESS
SB	SSS
PBU	PSS



- 1. Adjustable closing speed
- 2. Hold-open range or delayed action range
- 3. Adjustable range - point at which hold-open begins, or end of delayed action range (approx. 75° to 105°).
- 4. Mechanical backcheck (from approx. 80°)



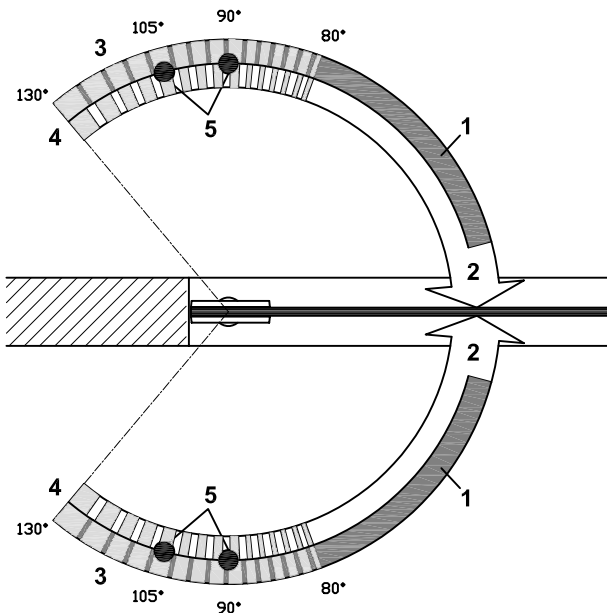
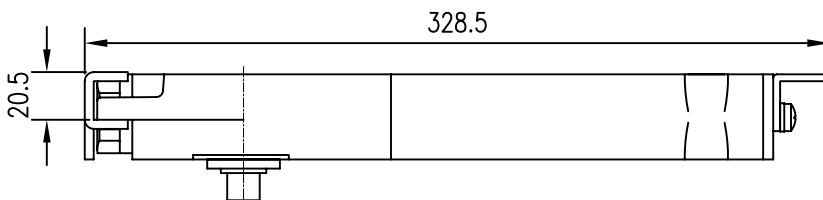
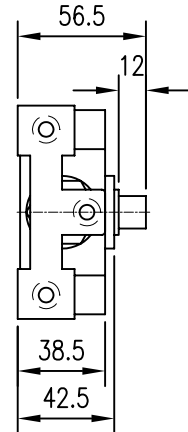
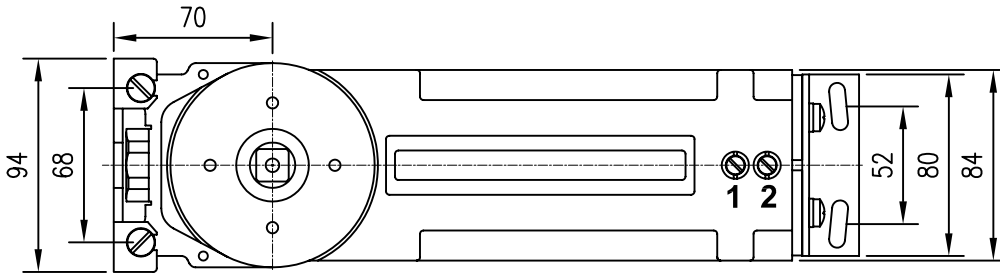
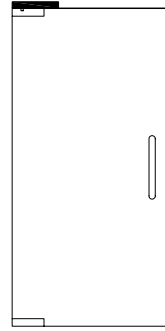
7410 COVER PLATE

BTS80 SPECIFICATION: DORMA BTS80 Heavy Duty Floor Spring, suited to doors up to 300kg's in weight and 1400mm wide. Floor Spring includes engageable Hold Open as standard.

Specify: BTS80.15 – EN3 Spring Strength, Engageable Hold Open
 BTS80 – EN4 Spring Strength, Engageable Hold Open
 BTS80.53 – EN6 Spring Strength, Engageable Hold Open

7410 FINISHES:

BRASS	STAINLESS
SB	SSS
PBU	PSS



1. Fully controlled closing with adjustable speed (130° to 20°)
2. Adjustable final closing (130° to 0°)
3. Progressive mechanical backcheck (80° to 130°)
4. Mechanical backstop**
5. Hold-open points - depending on model (optional) 105° or 90°

** Door opening angle maximum 130° on both sides. In the case of doors which can be opened further door stops must be used.

RTS85 SPECIFICATION: DORMA RTS85 Transom Closer suited to doors up to 1250mm wide.

Specify: RTS85/2.HO – EN2 Spring Strength, Hold Open
 RTS85/2.NHO – EN2 Spring Strength, Non Hold Open
 RTS85/3.HO – EN3 Spring Strength, Hold Open
 RTS85/3.NHO – EN3 Spring Strength, Non Hold Open
 RTS85/4.HO – EN4 Spring Strength, Hold Open
 RTS85/4.NHO – EN4 Spring Strength, Non Hold Open
 RTS85/5.HO – EN5 Spring Strength, Hold Open
 RTS85/5.NHO – EN5 Spring Strength, Non Hold Open