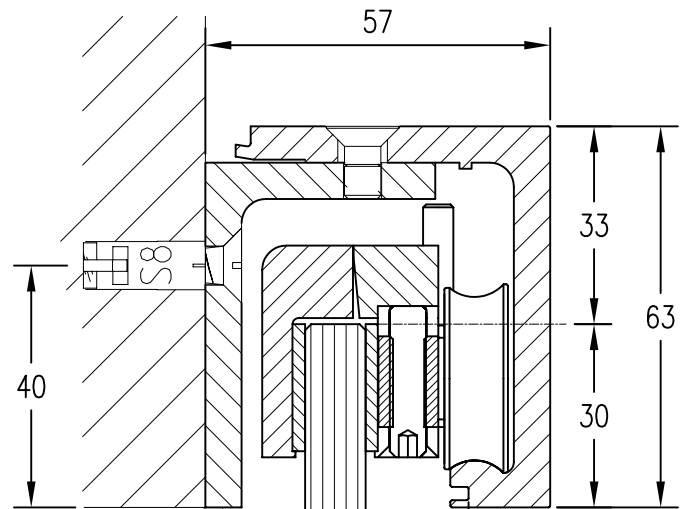
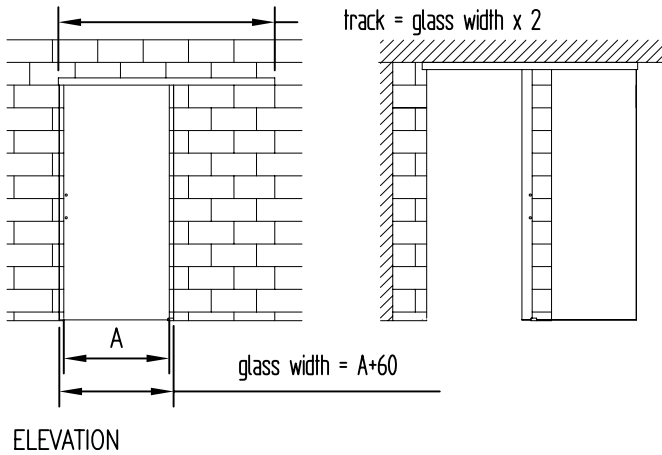




## Architectural Glass Fittings Catalogue

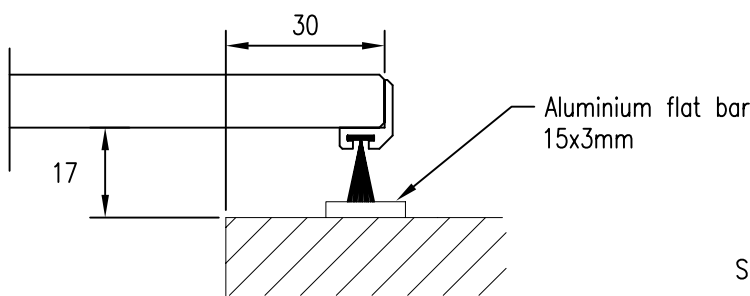
Door Control Hardware	Section	1
Rail Assemblies	Section	2
Patch Fittings	Section	3
Patch Locks	Section	4
Commercial Door Handles	Section	5
Point Fixings, Spacers & Hinges	Section	6
Shower Fittings	Section	7
<b>Sliding Door &amp; Operable Wall Systems</b>	<b>Section</b>	<b>8</b>
Pool Gate & Balustrade Fittings	Section	9
Structural Fittings	Section	10
Panic Hardware	Section	11
Miscellaneous Hardware	Section	12

Track Fixed to Wall or Ceiling



Art. No. 07.352  
Stock Lengths—  
2, 3 or 4 Mtrs

Art. No. 07.350  
Stock Lengths—  
2, 3 or 4Mtrs



PLAN of Overlap  
with 12mm Brush (Optional)

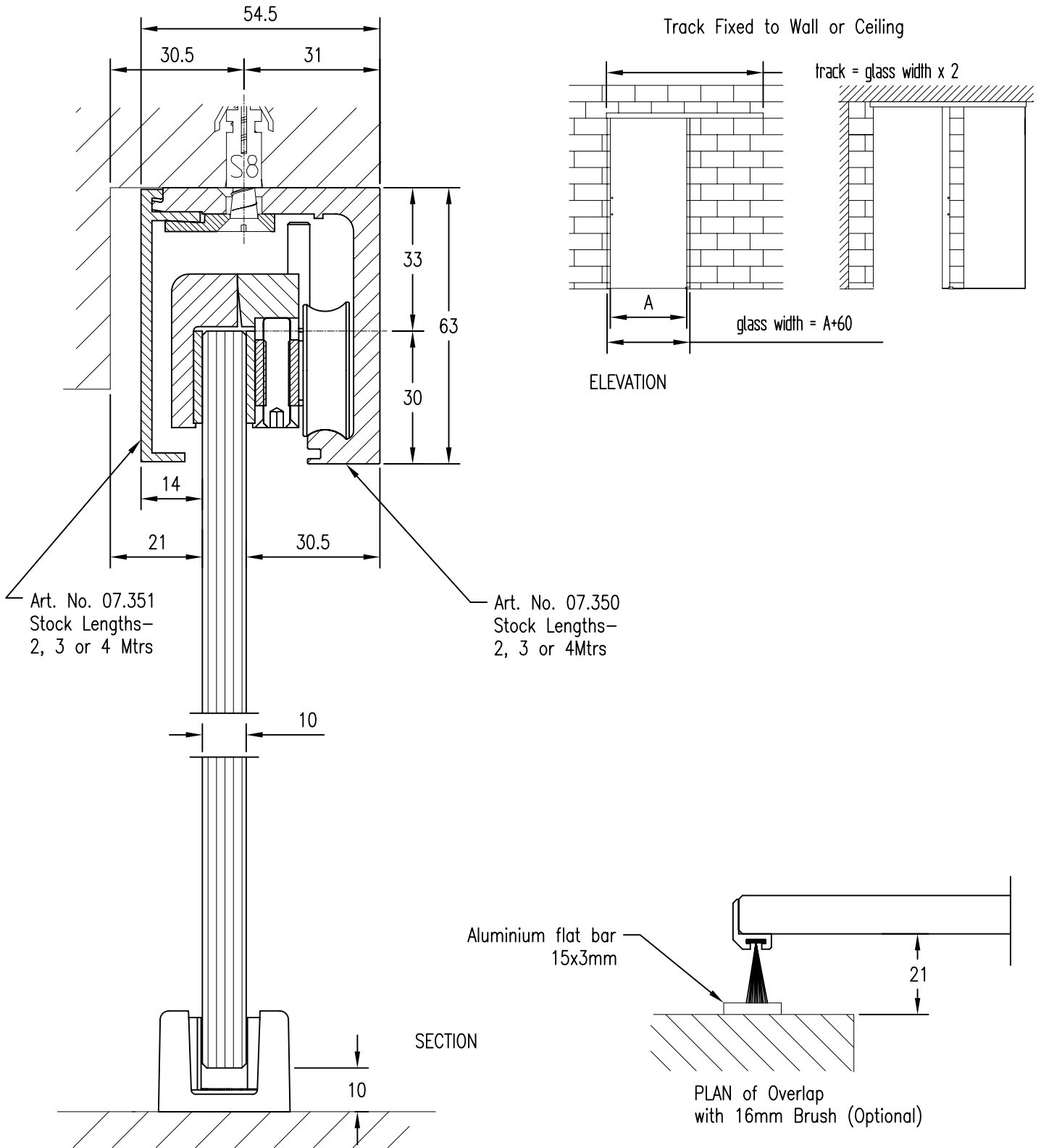
SECTION

**AGILE 150 WALL FIX SPECIFICATION:** The AGILE 150 Series Wall Fix Sliding Door System is suited to Sliding Toughened Glass Doors between 8 and 12mm thick, up to 1450mm wide, and 150kg in weight. Specify: A07.300 for a 1900mm o/a kit including Track, Rollers, Stops and Floor Guide to suit 1 door. Specify: A07.302 for a 2900mm o/a kit including Track, Rollers, Stops and Floor Guide to suit 1 door. Also available in 2000mm, 3000mm and 4000mm Lengths.

**FINISHES:**

ALUMINIUM

- MILL
- SAA
- ASSS



**AGILE 150 CEILING FIX SPECIFICATION:** The AGILE 150 Series Ceiling Fix Sliding Door System is suited to Sliding Toughened Glass Doors between 8 and 12mm thick, up to 1450mm wide, and 150kg in weight. Specify: A07.301 for a 1900mm o/a kit including Track, Rollers, Stops and Floor Guide to suit 1 door. Specify: A07.303 for a 2900mm o/a kit including Track, Rollers, Stops and Floor Guide to suit 1 door. Also available in 2000mm, 3000mm and 4000mm Lengths.

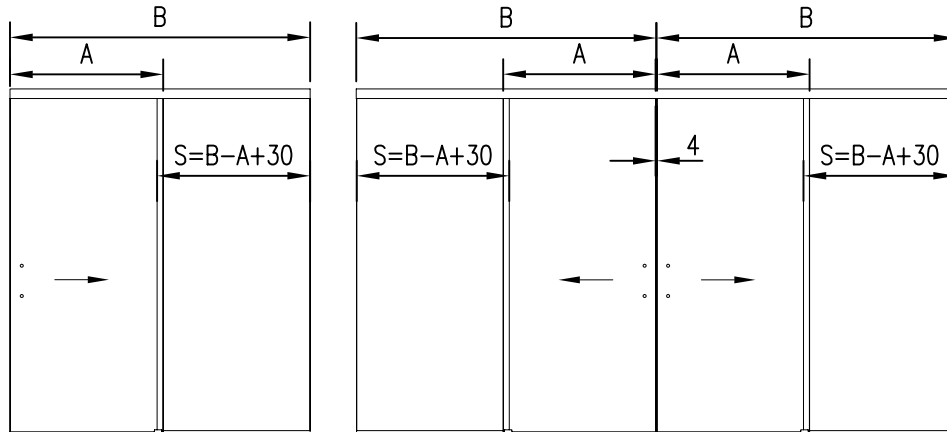
**FINISHES:**

ALUMINIUM

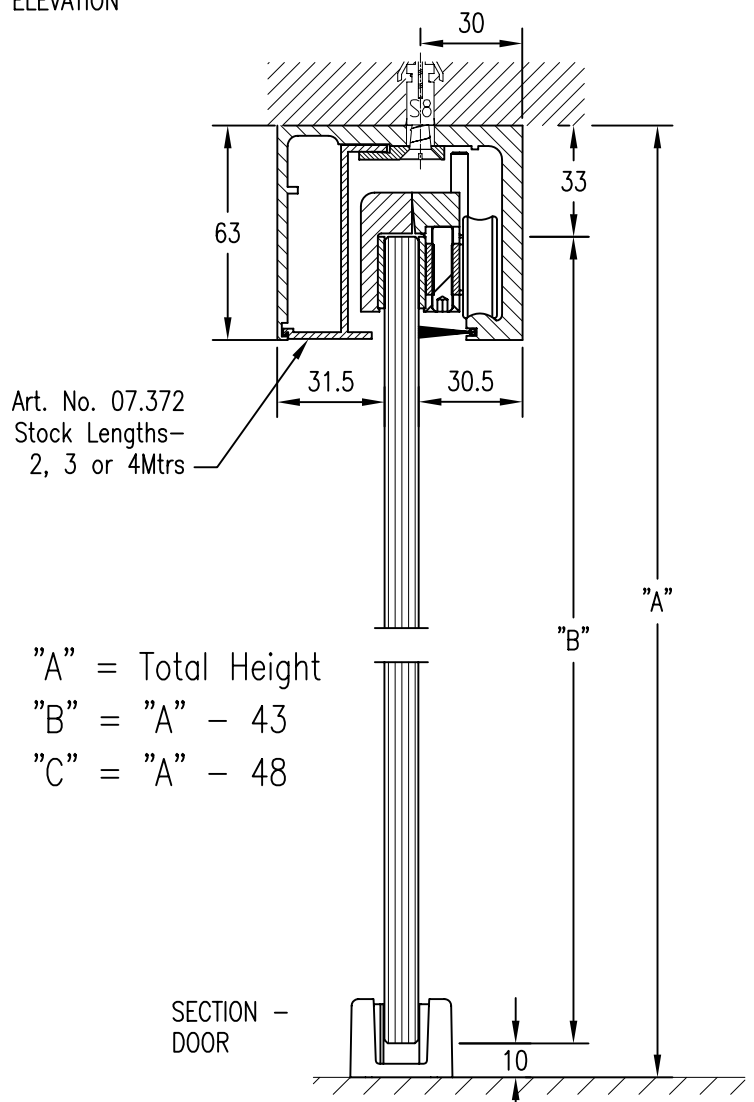
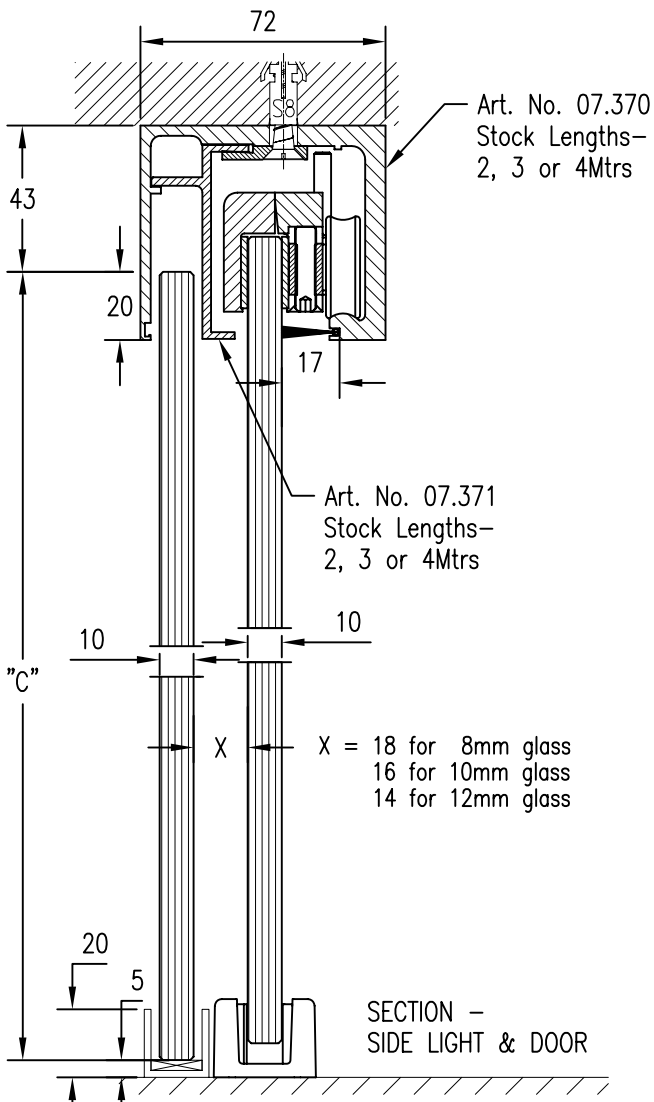
MILL

SAA

ASSS



ELEVATION



**AGILE 150 INTEGRATED SIDELIGHT SPECIFICATION:** The AGILE 150 Series Integrated Sidelight Sliding Door System is suited to Sliding Toughened Glass Doors between 8 and 12mm thick, up to 1450mm wide, and 150kg in weight.  
Also available in 2000mm, 3000mm and 4000mm Lengths.

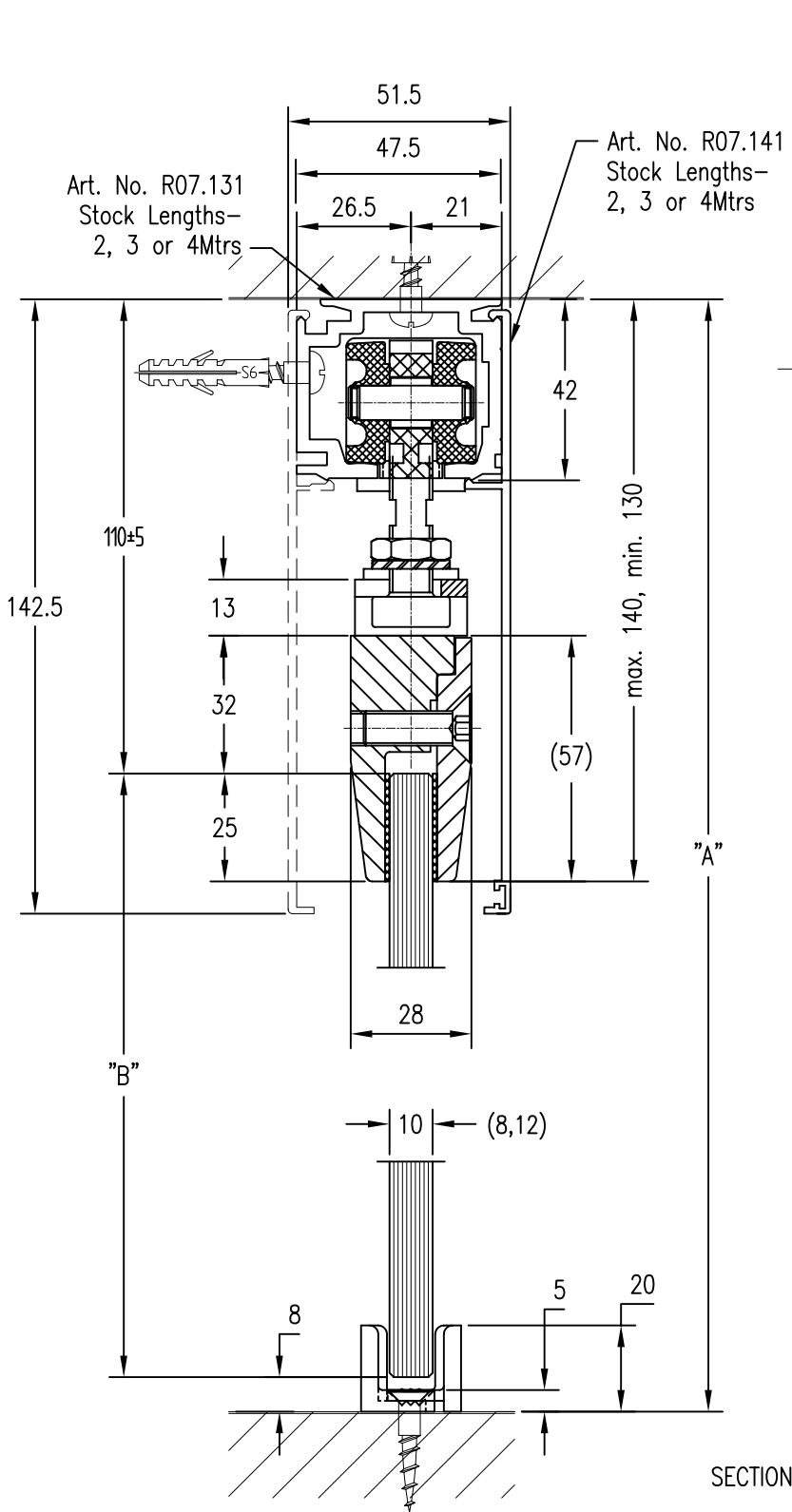
**FINISHES:**

ALUMINIUM

MILL

SAA

ASSS



"A" = Total Height  
 "B" = "A" - 118

**RS120 SPECIFICATION:** The RS120 Sliding Door System is suited to Sliding Toughened Glass Doors between 8 and 12mm thick, up to 1450mm wide, and 120kg in weight. \*150kg on application  
 Specify: R07.101 for a 1900mm o/a kit including Track, Rollers, Stops and Floor Guide to suit 1 door.  
 Specify: R07.102 for a 2900mm o/a kit including Track, Rollers, Stops and Floor Guide to suit 1 door.  
 Also available in 2000mm, 3000mm and 4000mm Lengths.

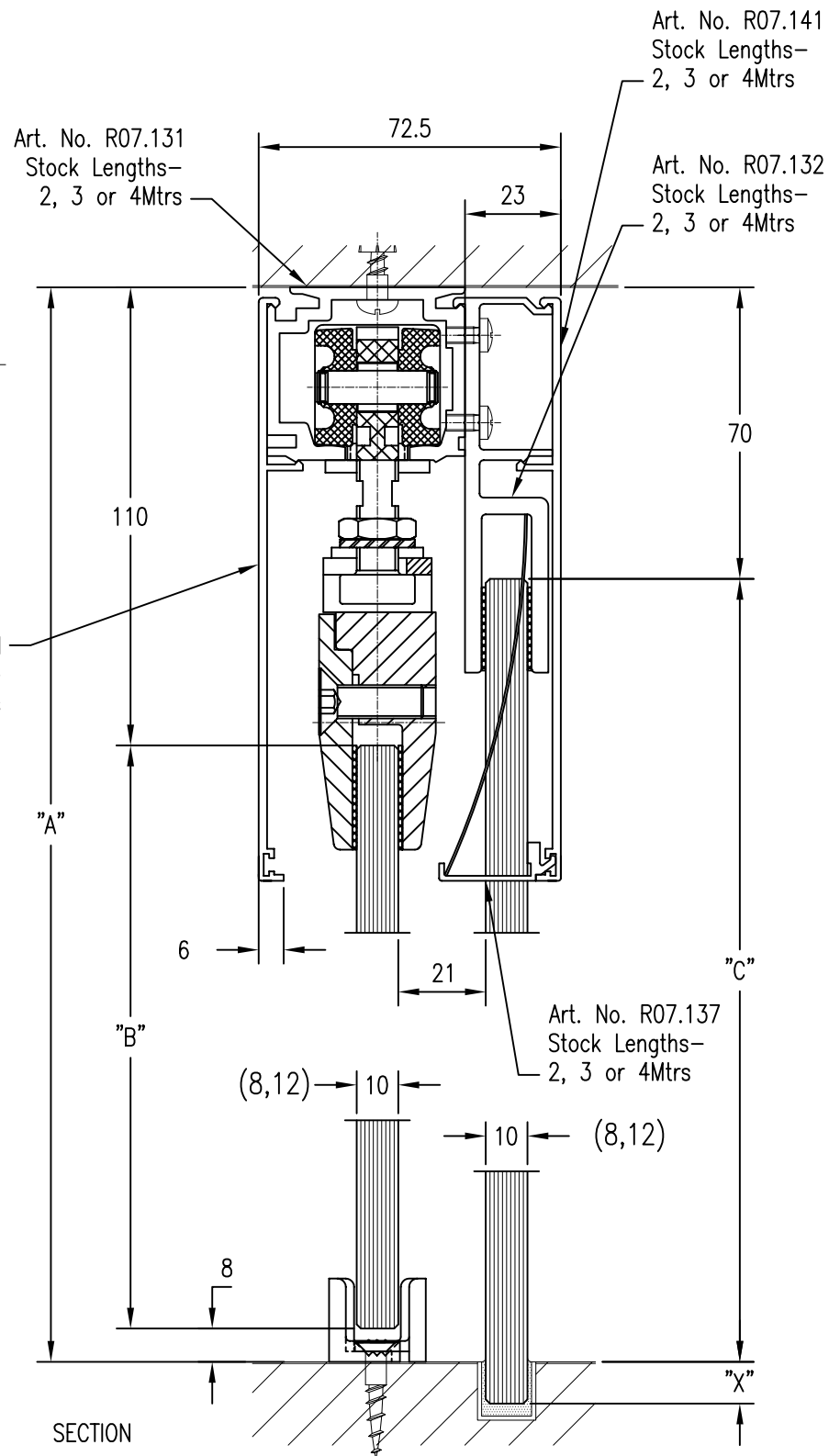
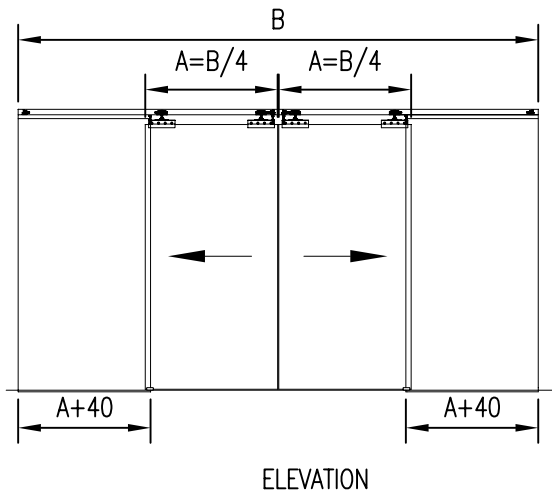
FINISHES:

ALUMINIUM

MILL

SAA

ASSS



"A" = Total Height  
 "B" = "A" - 118  
 "C" = "A" - 70 + "X"

**RS120 INTEGRATED SIDELIGHT SPECIFICATION:** The RS120 Integrated Sidelight Sliding Door System is suited to Sliding Toughened Glass Doors between 8 and 12mm thick, up to 1450mm wide, and 120kg in weight. \*150kg on application  
 Available in 2000mm, 3000mm and 4000mm Lengths.

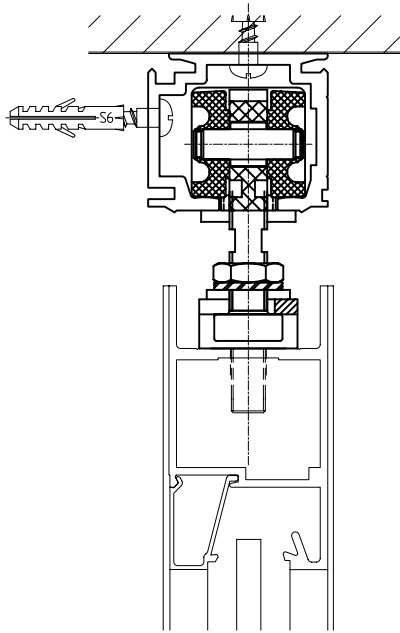
FINISHES:

ALUMINIUM

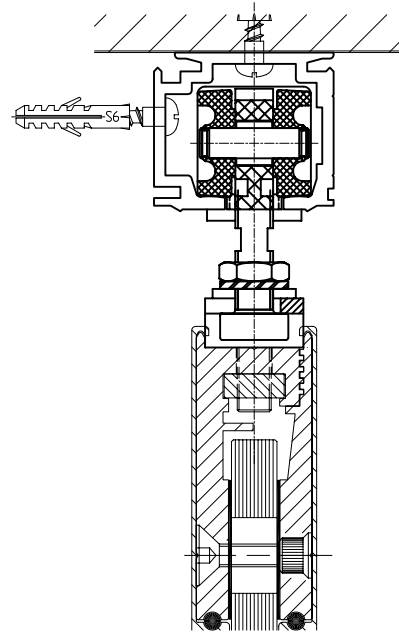
MILL

SAA

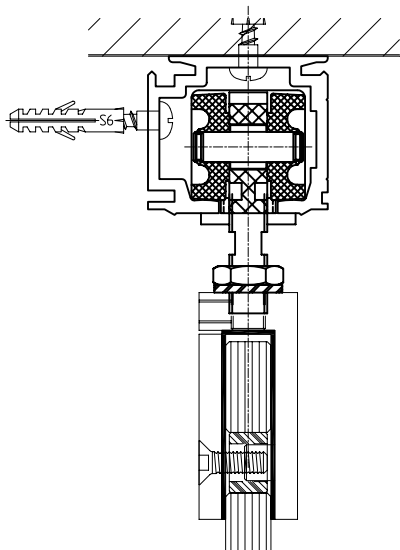
ASSS



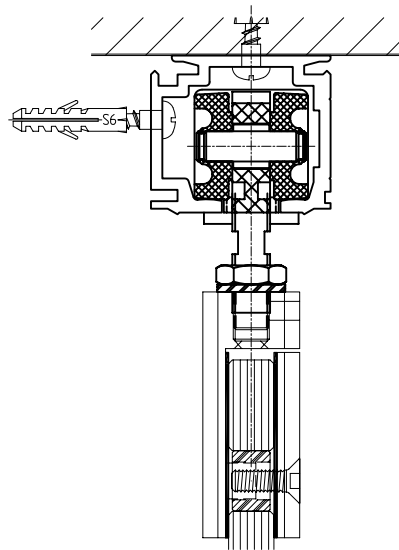
RS120 with ALUMINIUM FRAMED DOOR (BY OTHERS)



RS120 with CDS43S (REFER DRAWING 2-07 & 8-04)



RS120 with CD161CS (REFER DRAWING 7-09 & 8-04)

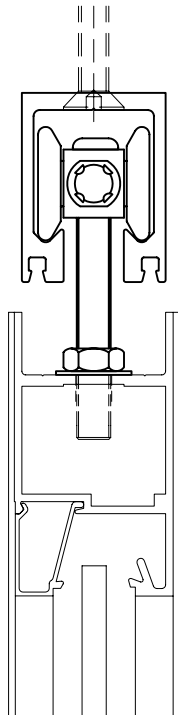


RS120 with CD262CS (REFER DRAWING 7-10 & 8-04)

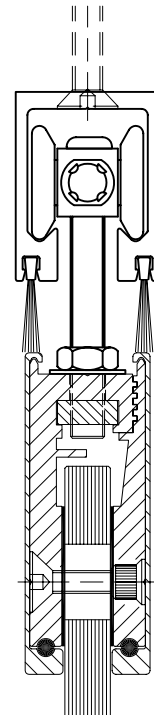
RS120 TRACK AND CARRIER OPTIONS: The RS120 Sliding Door System can be used in conjunction with the above carrier configurations.

FINISHES:

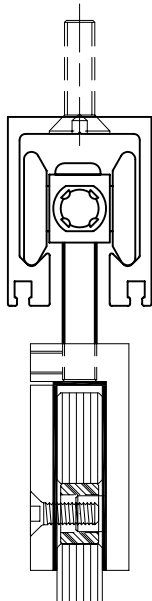
ALUMINIUM	BRASS	STAINLESS
MILL	PB	SSS
SAA	PBL	PSS
S/F	CP	
P/S/F	SCP	



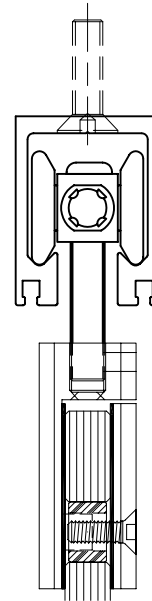
CDS40T with ALUMINIUM FRAMED DOOR (BY OTHERS)



CDS40T with CDS43S (REFER DRAWING 2-07)



CDS40T with CD161CS (REFER DRAWING 7-09)



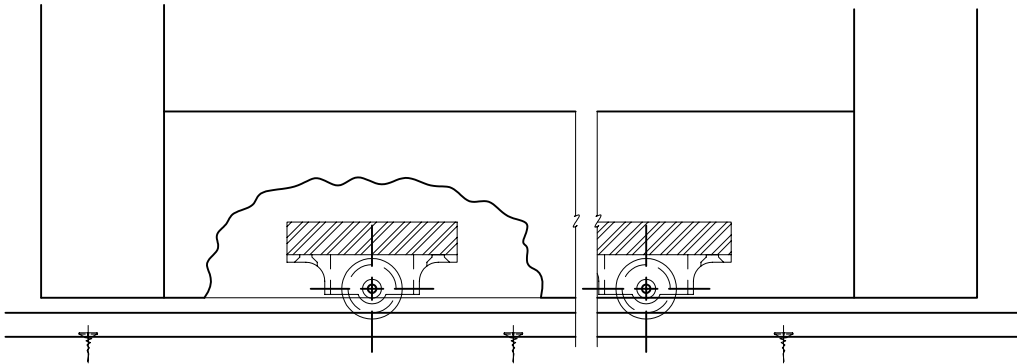
CDS40T with CD262CS (REFER DRAWING 7-10)

**CDS40T TRACK AND CARRIER SPECIFICATION:** The CDS40T Sliding Door system is suited to Sliding Toughened Glass Doors between 8 and 15mm thick, and door weights up to 150kg depending on carrier selection.  
Specify: CDS49.1 Single or CDS49.2 Tandem Roller, and CDS49.3 Track Stops.

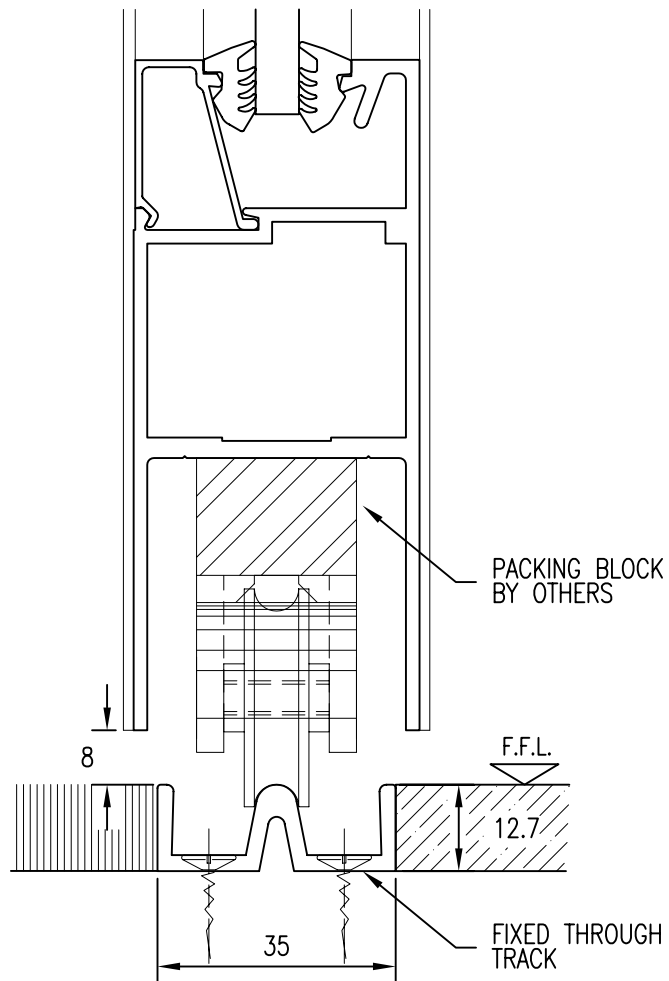
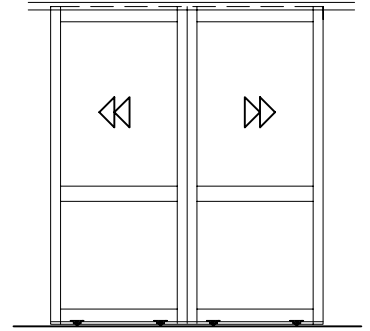
FINISHES:

ALUMINIUM	BRASS	STAINLESS
MILL	PB	SSS
SAA	PBL	PSS
S/F	CP	
P/S/F	SCP	





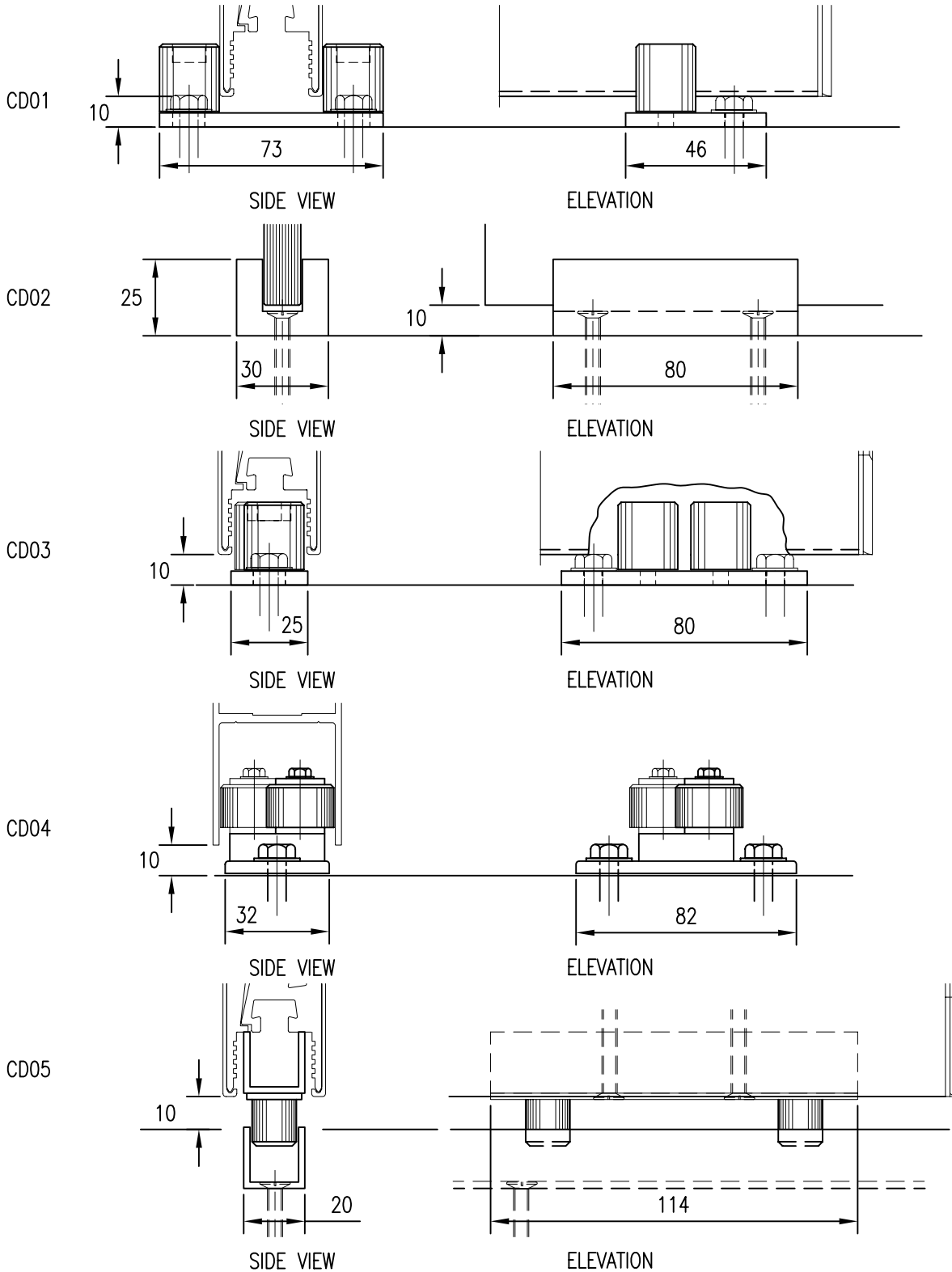
ELEVATION



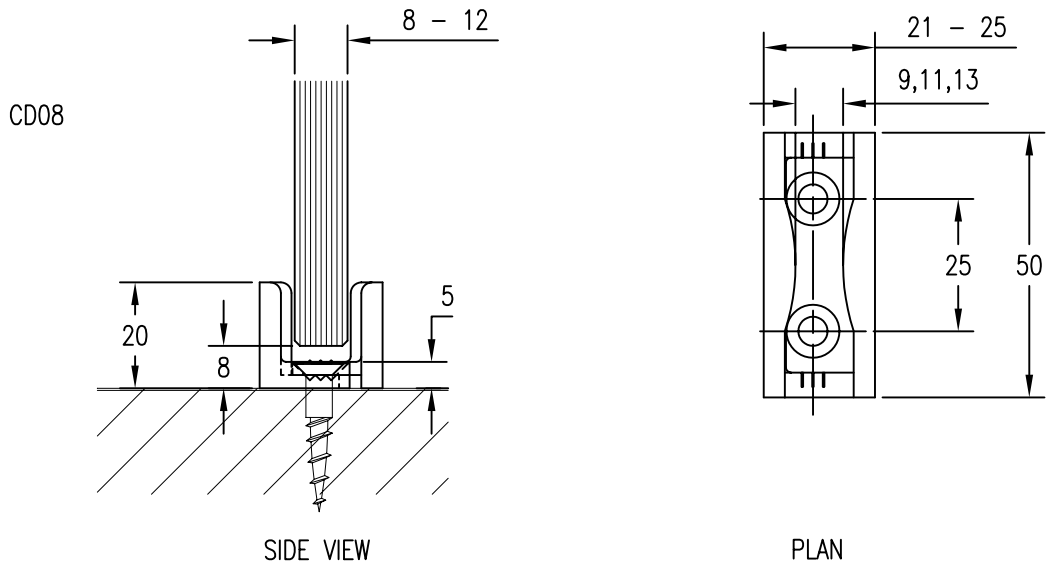
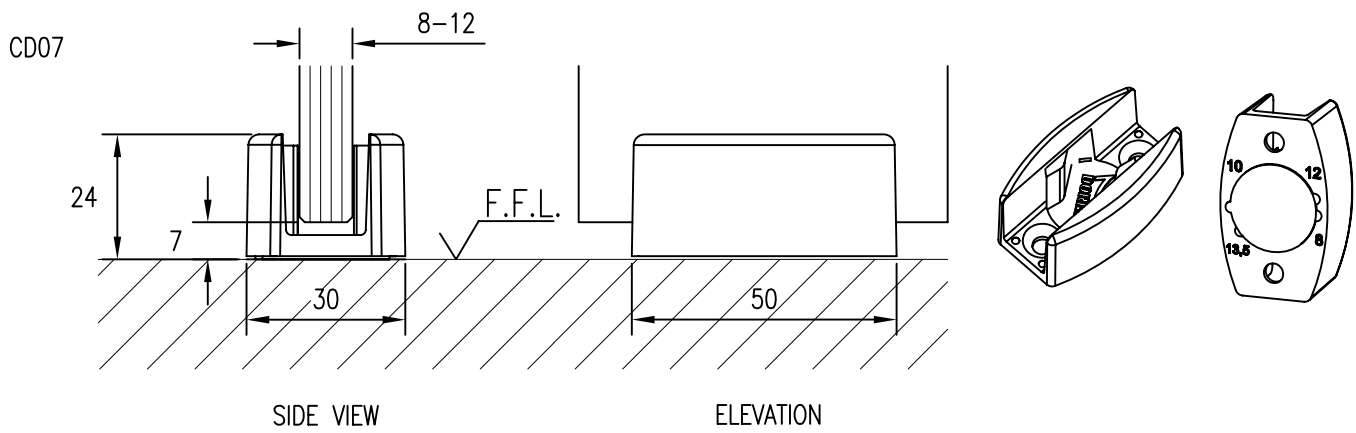
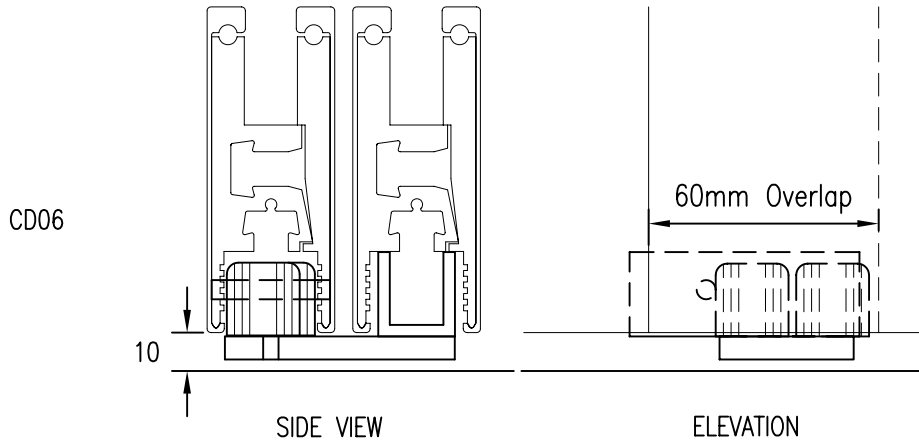
CDS50 SPECIFICATION: Extruded Brass Bottom Track For Manual Sliding Doors.

Note: Maximum door weight 150kg per leaf.

Specify No. of CDS50.1 Rollers.



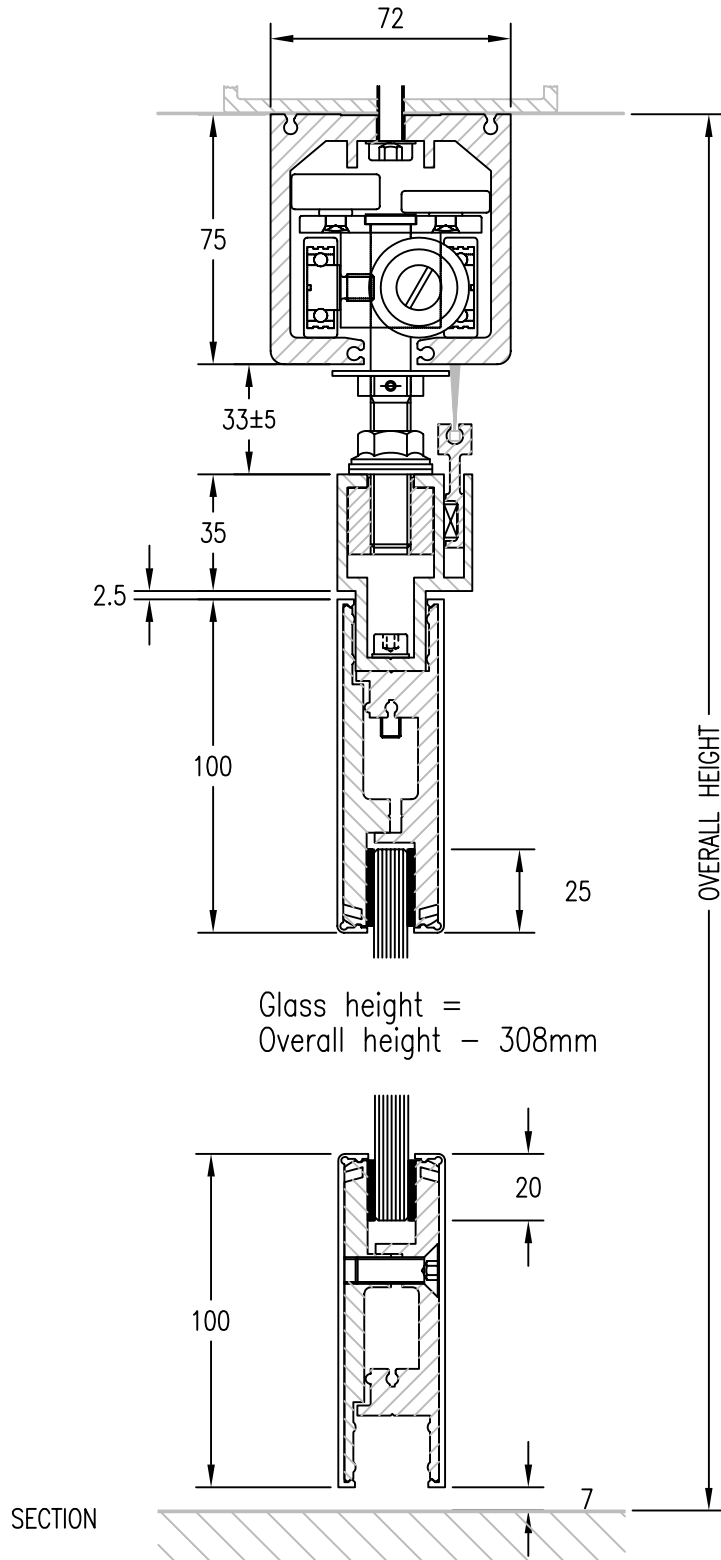
- CD01 – External Roller Guide for CDS41 S
- CD02 – External Nylon Guide for 12mm glass.
- CD03 – Internal Roller Guide for CDS41 S.
- CD04 – Internal Roller Guide for Aluminium Door.
- CD05 – Rail fix Guide for Floor Channel.



CD06 - Rail to Rail Guide for Bi-Sliding Doors

CD07 - Multi Fit Bottom Guide, 8-12mm

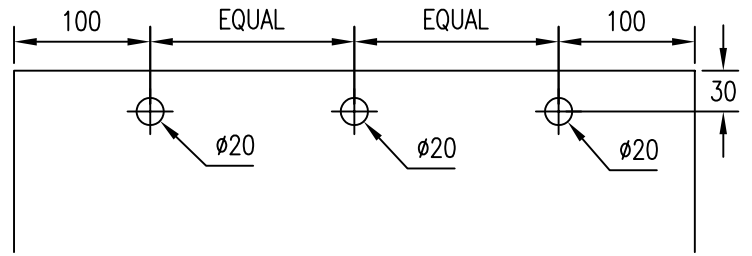
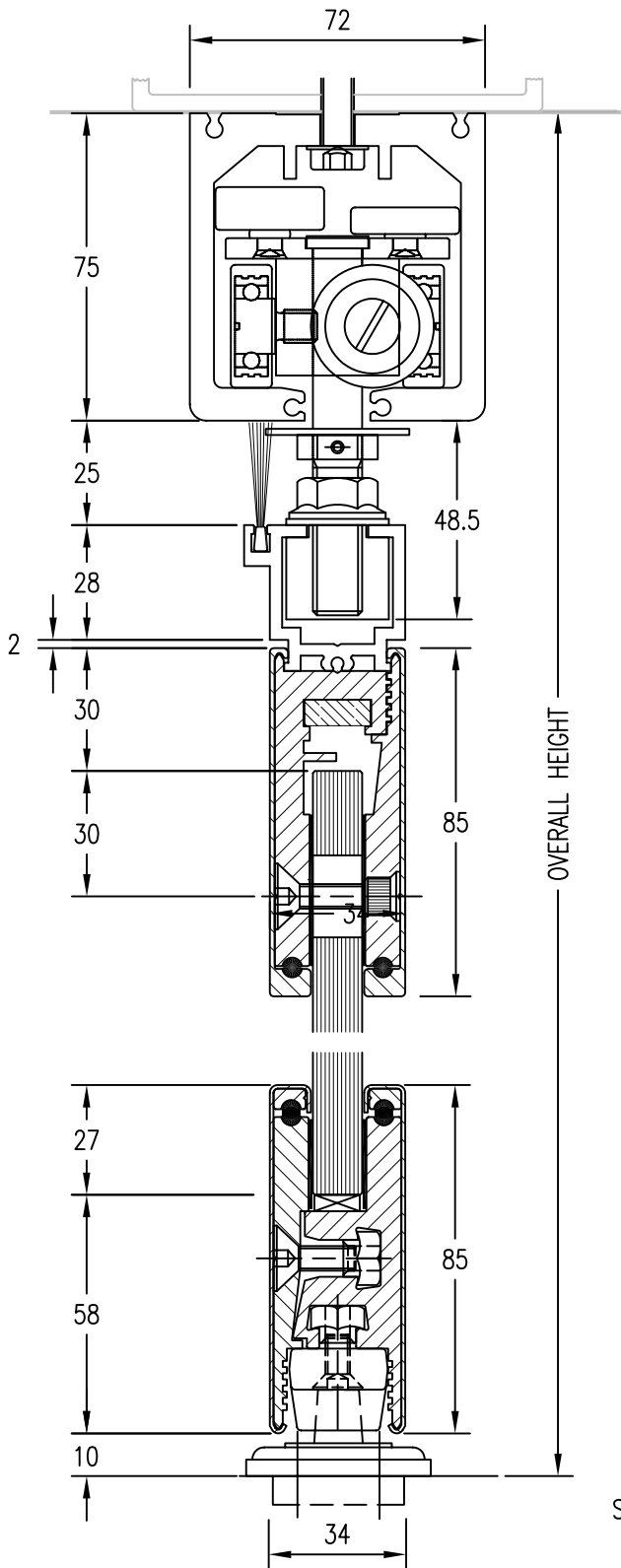
CD08 - Black PVC Floor Guide, 8-12mm



HSW-G SPECIFICATION: DORMA HSW-G Frameless Glass Stacking Operable Wall System. Max Panel Weight 150kg's  
Refer [dorma.com.au](http://dorma.com.au) for full technical planning manual.

FINISHES:

ALUMINIUM	STAINLESS
MILL	SSS
SAA	PSS
S/F	



GLASS PREPARATION

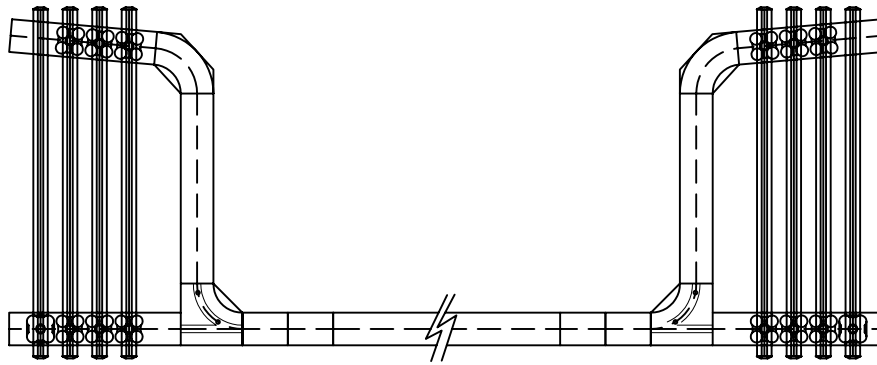
Glass height =  
Overall height – 228mm

SECTION

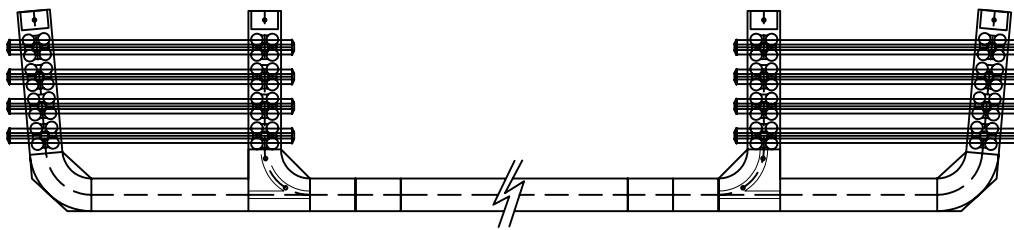
HSW-SE SPECIFICATION: DORMA HSW-SE Frameless Glass Stacking Operable Wall System. Max Panel Weight 150kg's.

FINISHES:

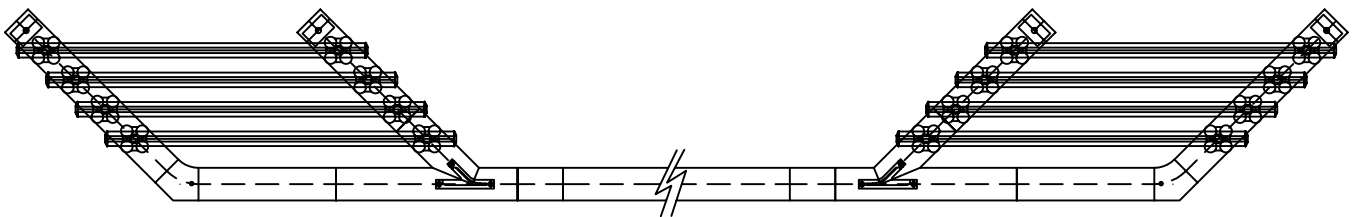
ALUMINIUM	STAINLESS
MILL	SSS
SAA	PSS
S/F	



PLAN 90 DEGREE PERPENDICULAR STACK BAY LH/RH



PLAN 90 DEGREE PARALLEL STACK BAY LH/RH



PLAN 135 DEGREE PARALLEL STACK BAY LH/RH

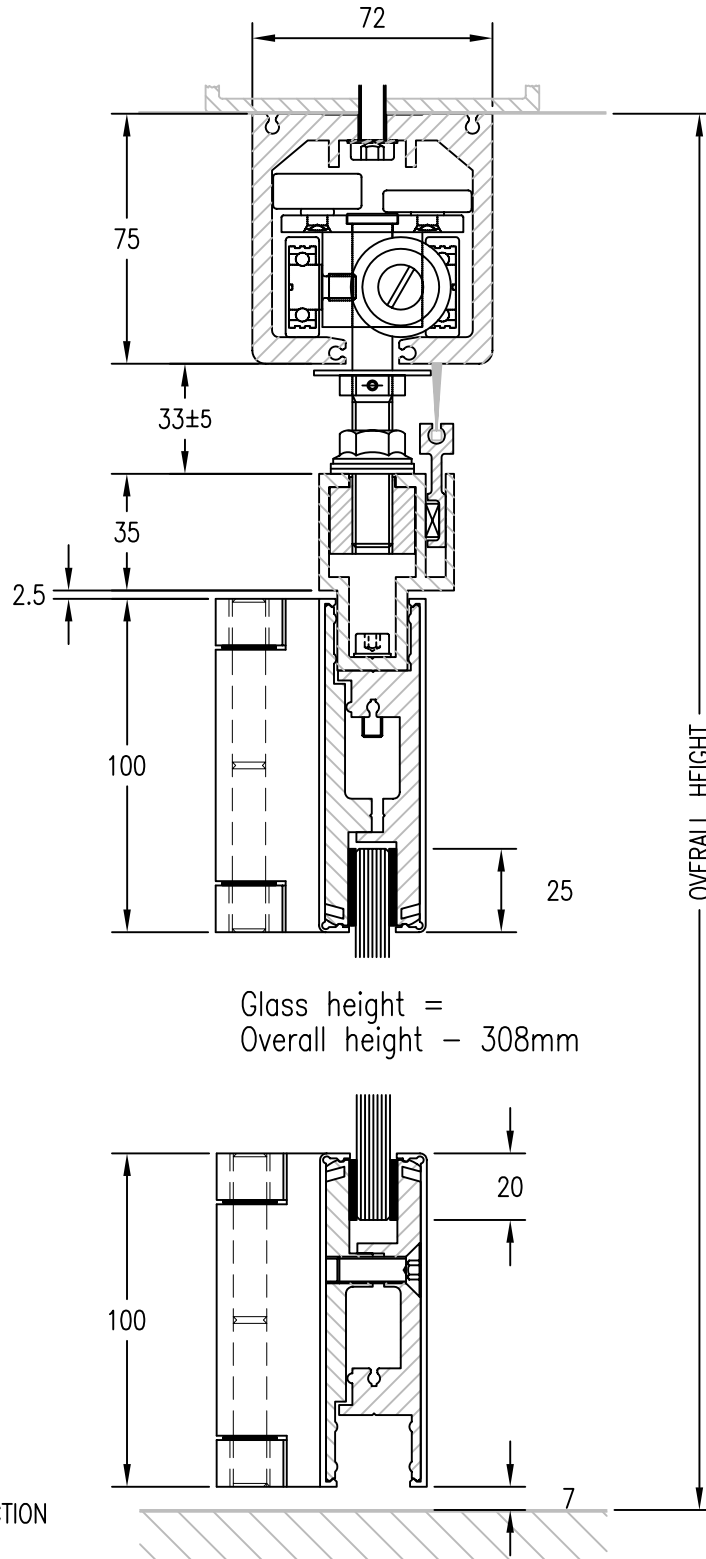
HSW-G/SE SPECIFICATION: DORMA HSW-G/SE System utilizes the following standard stacking bay configurations. Special Bays to project requirements on application.

FINISHES:

ALUMINIUM

SAA

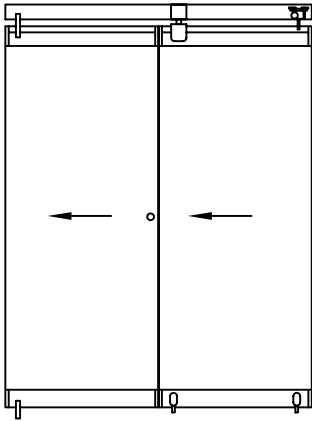
S/F



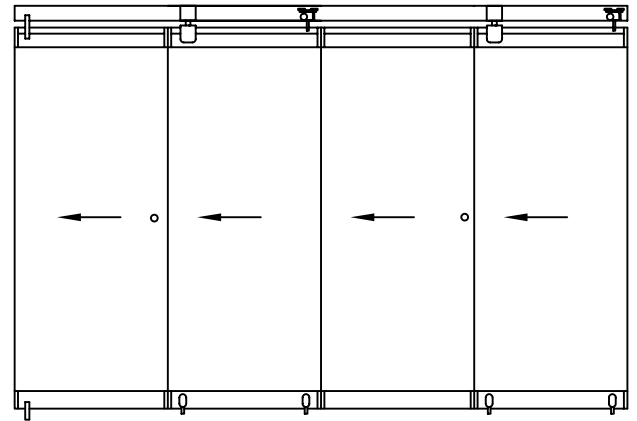
**FSW-G SPECIFICATION:** DORMA FSW-G Frameless Glass Bi-Folding Operable Wall System.  
Max Panel 70kg's and 1000mm Wide.  
Refer [dorma.com.au](http://dorma.com.au) for full technical planning manual.

FINISHES:

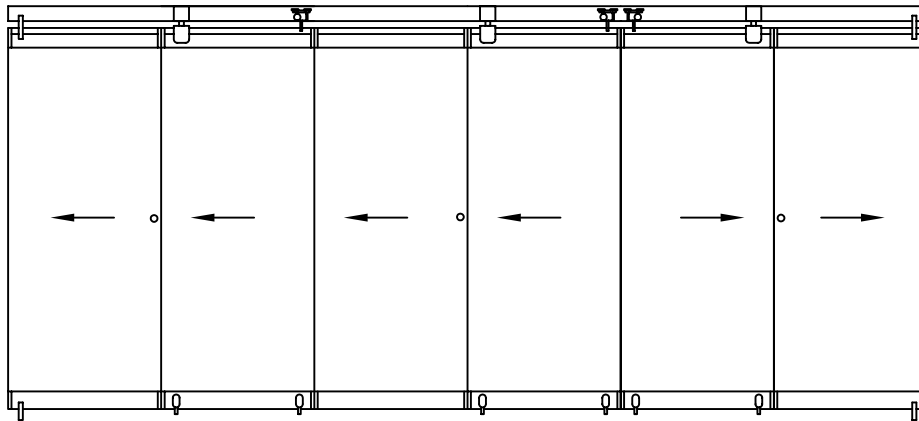
ALUMINIUM	STAINLESS
MILL	SSS
SAA	PSS
S/F	



TYPE 1



TYPE 2



TYPE 3



FSW-G SPECIFICATION: DORMA FSW-G Standard Configurations.

FINISHES:

ALUMINIUM

STAINLESS

MILL

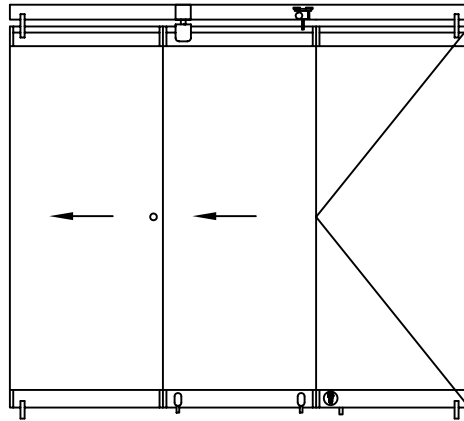
SSS

SAA

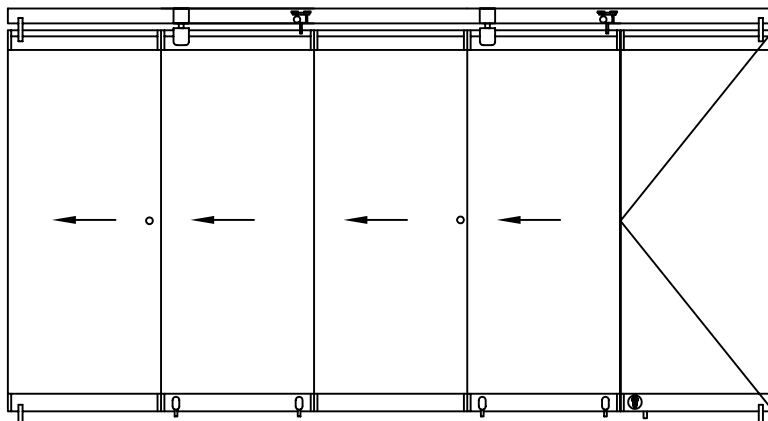
PSS

S/F





TYPE 4



TYPE 5



FSW-G SPECIFICATION: DORMA FSW-G Standard Configurations.

FINISHES:

ALUMINIUM	STAINLESS
MILL	SSS
SAA	PSS
S/F	