



TS 97
—



Cam-action door closer
in Contur Design

A PERFECT COMBINATION OF FORM AND FUNCTION

With its new model TS 97, DORMA is able to offer a very compact surface-mounted cam-action door closer available in the project sector.

Single-piece face plates with internal end caps and uniform lengths of the door closer body and slide channel characterise the impressive design credentials of this product.

Like all DORMA cam-action door closers, the TS 97 features the proven heart-shaped cam for maximum user convenience based on minimum opening effort. With its compact dimensions, the TS 97 ideally complements the overall appearance of any door.

Certified to ISO 9001.

Benefits

For the trade

- One closer model for all applications to simplify materials management and stocking.
- Single pack for easy handling.

For the installer/fabricator

- Universally applicable on both LH and RH doors.
- Quick and easy to fix with mounting bracket.

For the architect/specifier

- High-quality architectural solution for superior interior designs.
- Uniform lengths of body and slide channel for enhanced harmony of appearance.
- Single-piece faceplate without slots or fixing points.

For the user

- High ease of use and fully controlled, reliable closing with adjustable latching action.
- Dead stop unit as standard to protect the wall and door.

Data and features		TS 97
Closing force adjustable	Size	EN 2 – 4
Standard doors ¹⁾	up to 1100 mm	●
External doors, outward opening ¹⁾		–
Fire and smoke check doors ¹⁾		●
Non-handed		●
Arm assembly	Slide channel	●
Closing speed adjustment by valve		●
Latching action adjustment by valve		●
Dead stop unit (mechanical)		●
Delayed action		–
Backcheck		–
Hold-open		○
Weight in kg		2.5
Dimensions in mm	Length	340
	Overall depth	37
	Height	49
Door closer compliant with EN 1154		●
CE mark for construction products		●

● yes – no ○ option

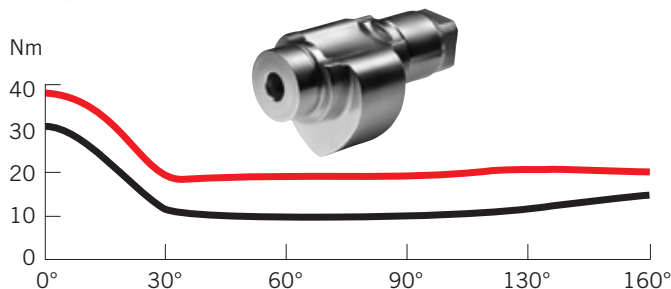
¹⁾ In the case of particularly heavy doors and doors that have to close against wind pressure, we recommend the DORMA TS 93.

F Approval certification

The DORMA TS 97 is CERTI FIRE approved (Certificate No. CF 119) for door types ITT 120, MM/IMM 240.



Force profile



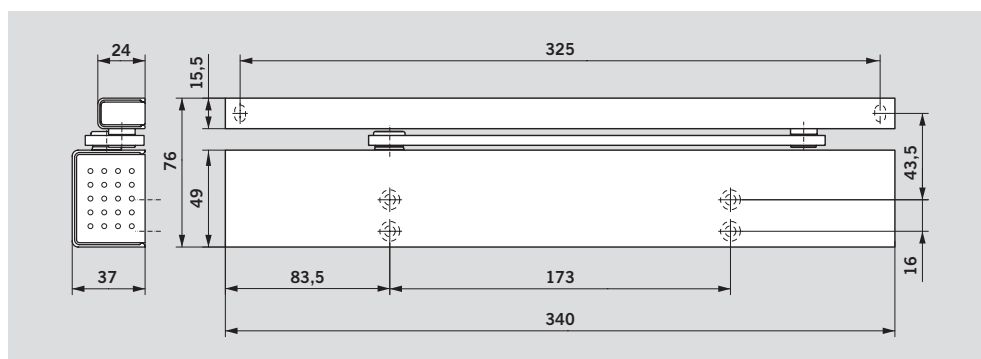
The heart-shaped cam and linear drive mechanism of the TS 97 ensure that the resistance encountered decreases almost instantly with the door opening action – so even children, the elderly and people with disabilities have no problem in passing through.

User-friendly and reliable closing is also ensured by the delayed increase in the actuating torque at the 'latching' end of the sweep.

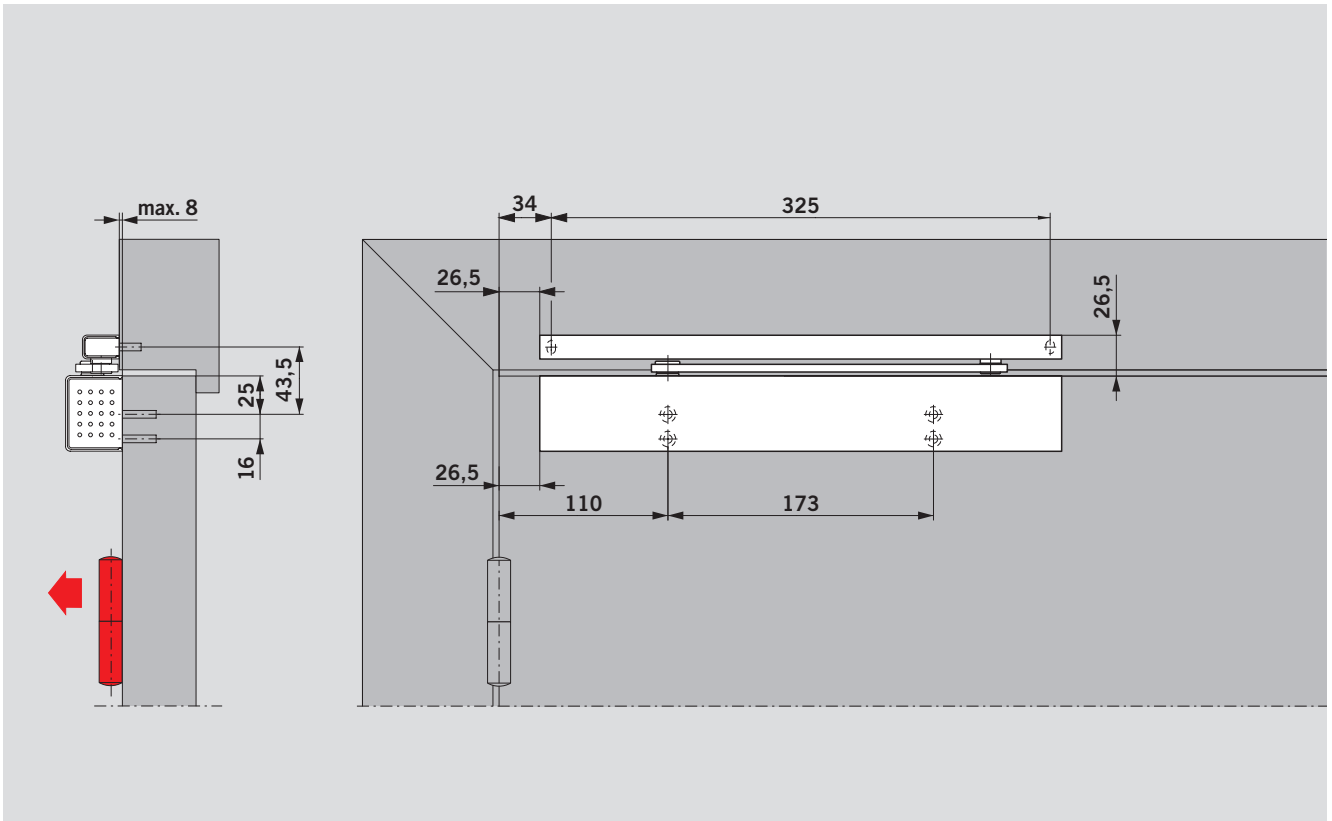
— Opening force
— Closing force



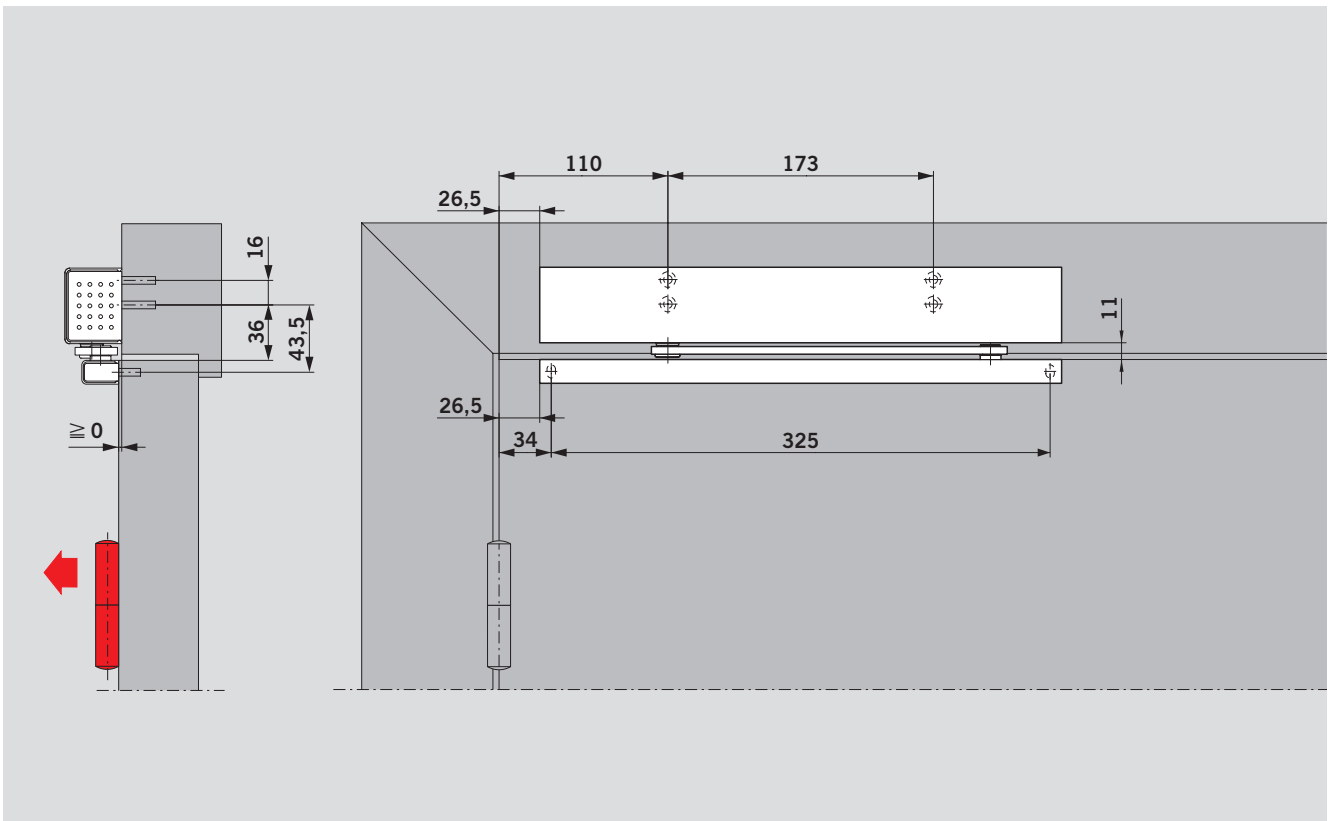
reddot design award winner 2005



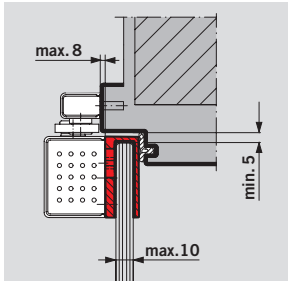
DOOR LEAF FIXING, PULL-SIDE (example: LH/ISO 6 door; mirror image for RH/ISO 5 door)



TRANSOM FIXING, PULL SIDE (example: LH/ISO 6 door; mirror image for RH/ISO 5 door)

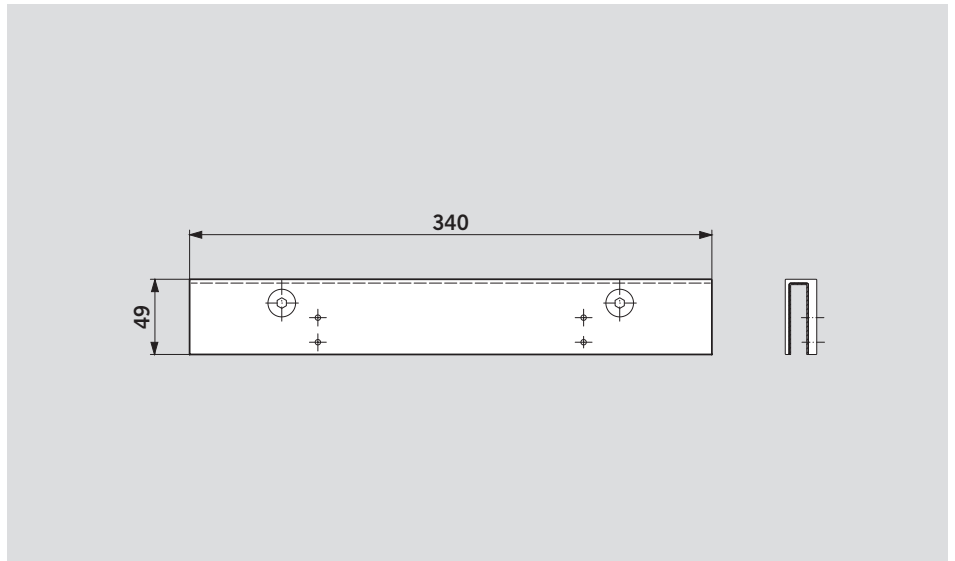


ACCESSORIES







Glass door shoe for TS 97

For fixing the closer to toughened glass doors – no glass drilling or recessing required. The TS 97 with glass door shoe is to be used with DORMA ARCOS Studio and ARCOS Office/Junior Office hinges.



STANDARD EQUIPMENT AND ACCESSORIES

	TS 97 cam-action door closer	Mechanical hold-open device
		
	Size EN 2 – 4	13000100
Slide channel		
	130100xx <input type="checkbox"/>	<input type="checkbox"/>
Glass door shoe		
	130002xx <input type="checkbox"/>	<input type="checkbox"/>

Order No.	Colour	xx	Also available in "Design" finishes:	"Design" refers to the surface finish of the products.
<input checked="" type="checkbox"/> = Closer body with slide channel, complete	Silver	01	Stainless steel "Design"	04
<input type="checkbox"/> = Accessory	White (sim. to RAL 9016)	11	Polished brass "Design"	05
	Special colour	09		

SPECIFICATION TEXT

Cam-action door closer in Contur Design with rapidly decreasing opening torque, conforming to EN 1154, carries the CE mark. Uniform lengths of door closer body and slide channel. Closing force EN 2 – 4, closing speed and latching action adjustable.

Non-handed. With standard slide channel and cushioned limit stay.

Accessories

- Mechanical hold-open device
- Glass door shoe

Colour

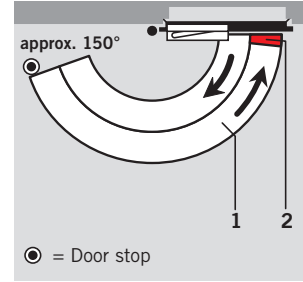
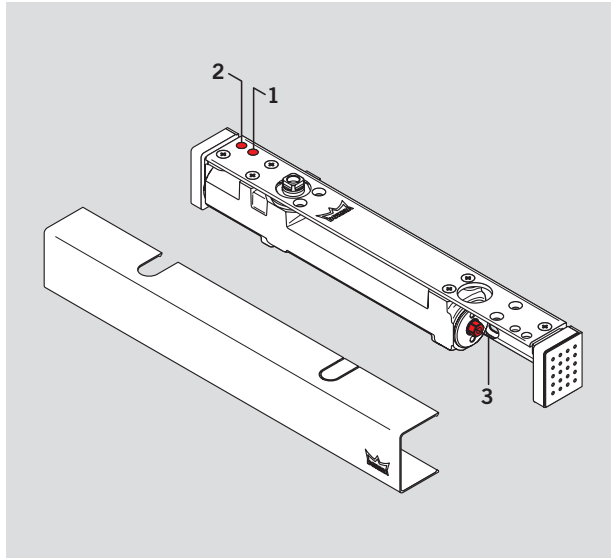
- Silver
- White (sim. to RAL 9016)
- Stainless steel „Design“
- Polished brass „Design“
- Special colour _____ (sim. to RAL _____)

Make

DORMA TS 97

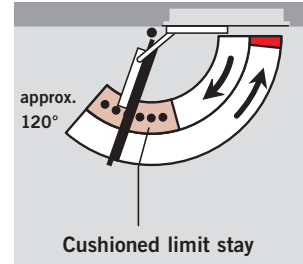
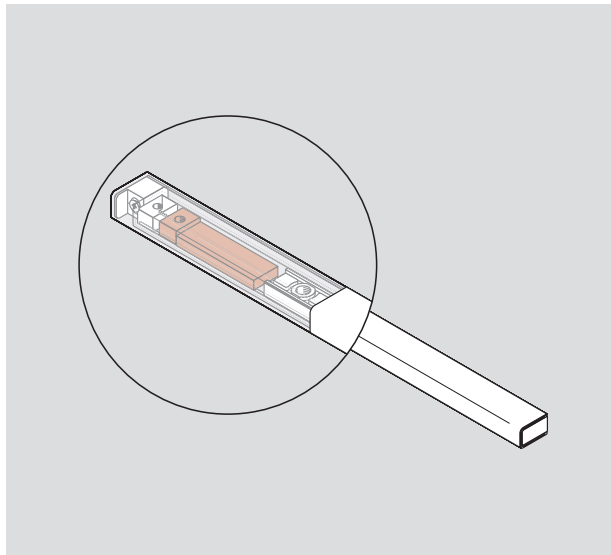
STANDARD AND OPTIONAL FUNCTIONS

The functions of the TS 97 can be individually adjusted to each door situation and matched to varying requirements. The closer speed of the TS 97 can be infinitely adjusted by means of a valve, and there is a second valve for adjusting the latching action. The closing force is adjustable between EN 2 and 4 by means of a screw.

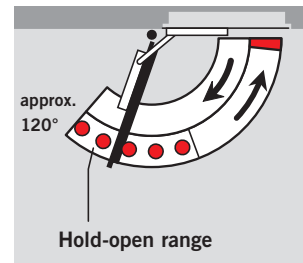
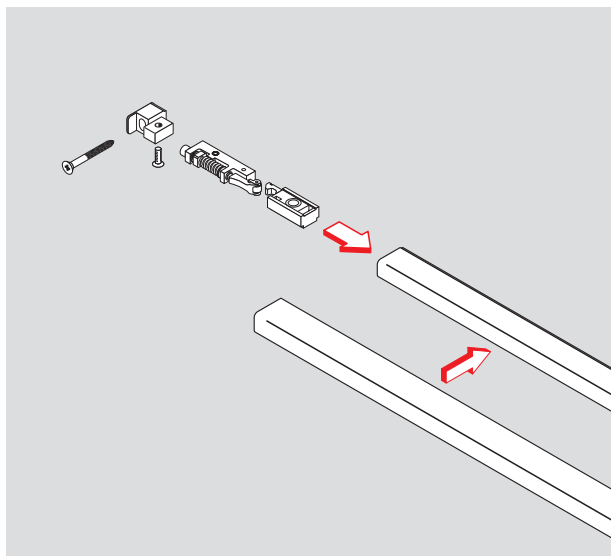


- 1 Infinitely adjustable closing speed in the range 150° – 0°.
- 2 Infinitely adjustable latching action in the range 7° – 0°.
- 3 Adjustable closing force.

The integral **cushioned limit stay** of the TS 97 features progressive damping and helps to prevent a normally opened door from colliding with the adjacent wall. It can be adjusted to an opening angle between 80° and max. 120°. **The cushioned limit stay is not an overload protection device and in many cases is no substitute for a door stop.**



The **mechanical hold-open device** enables doors to be held without fallback at an opening angle up to approx. 120°. The hold-open device is suitable for both LH and RH doors and is designed for retrofitting into the slide channel.



Not suitable for fire and smoke check doors



DORMA Australia P/L
Head Office
46-52 Abbott Road,
Hallam, Victoria 3803
Telephone (03) 8795 0666
Facsimile (03) 8795 0280
Toll Free Facsimile
1800 333 309

DORMA NZ Limited
Head Office
Building P
61-69 Patiki Road
Avondale
Auckland 1026
Telephone (09) 830 2052
Facsimile (09) 820 4909