

The background of the page is a high-quality photograph of a silver DORMA Vision lever handle and a matching door closer. The lever is shown in a close-up, highlighting its ergonomic, curved design. The door closer is a long, rectangular unit with a circular adjustment knob on the side. The text "VISION" is embossed on the top surface of the door closer. A semi-transparent white box is overlaid on the image, containing the main title.

VISION LEVERSETS AND DOOR CLOSERS

Quality Access Solutions

QUALITY ACCESS SOLUTIONS: STYLE AND FUNCTION



Choosing the right lever design can set any door apart from the next and with the “Vision range” of levers provides a pleasing and aesthetic choice to complement your building design.

Functional yet stylish Vision range of door closers on the apartment entrances consists of a classic appearance yet a modern cubic form harmoniously balancing with the entrance and lever range.

Of course security is made assured using the DORMA mortice lock. The Vision range of levers are superbly completed with a matching range of escutcheons and turns. Our mortice lock utilises an Australian oval cylinder and can be keyed into the building master key system if desired providing a one key solution for use throughout the apartment complex.

Specifications



Features

The Vision range is also available with privacy button on round rose and square rose

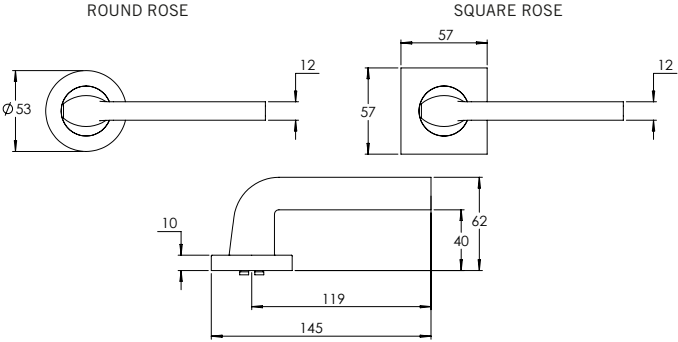
Finishes

Satin Chrome	SC
Polished Chrome	PC
Satin Black	BK

VISION LEVERSETS

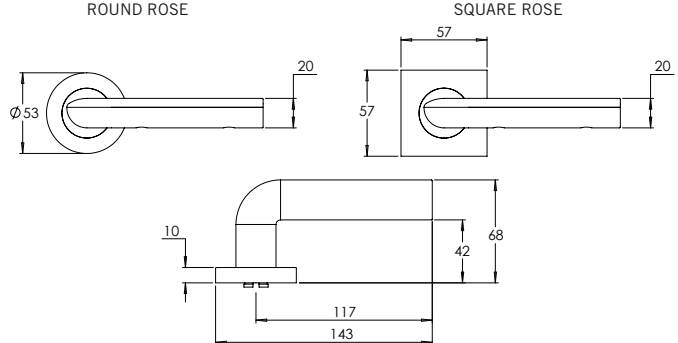
888-1

 4 HOUR FIRE RATED



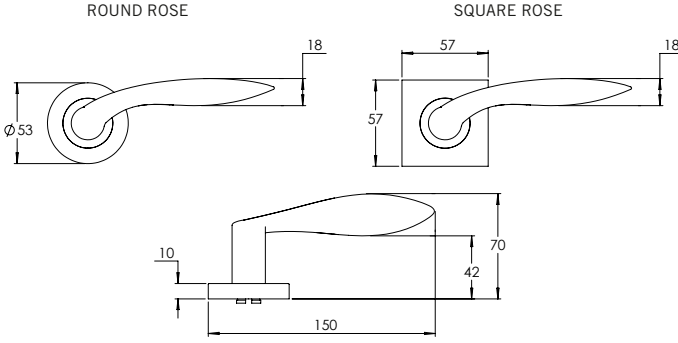
888-2

 4 HOUR FIRE RATED



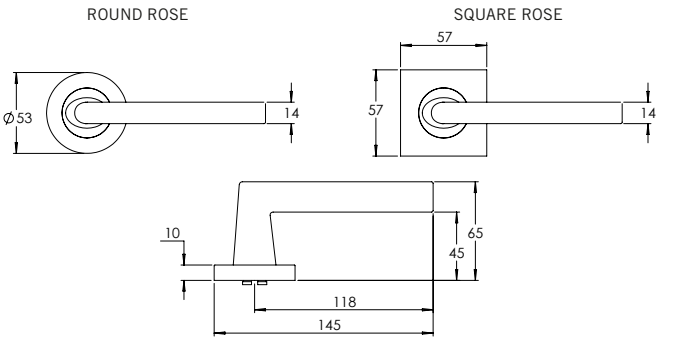
888-6

 4 HOUR FIRE RATED



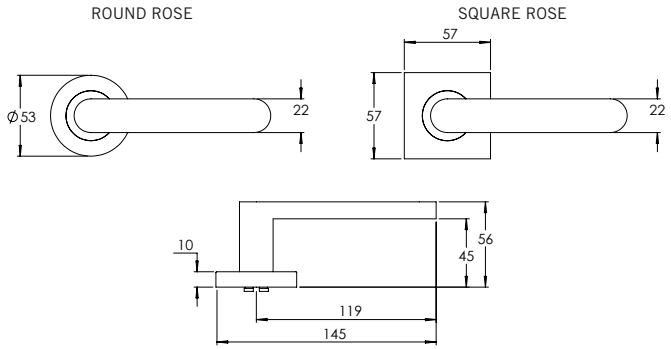
888-8

 4 HOUR FIRE RATED



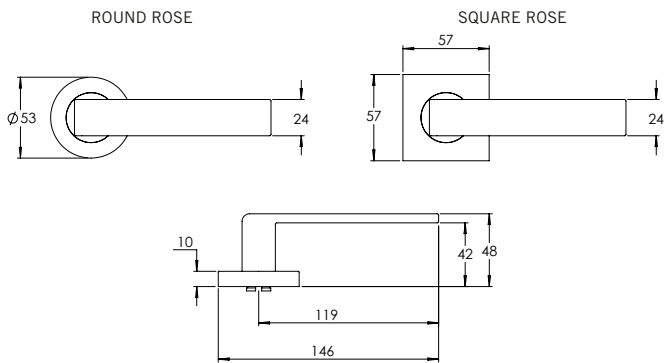
888-9

 4 HOUR FIRE RATED




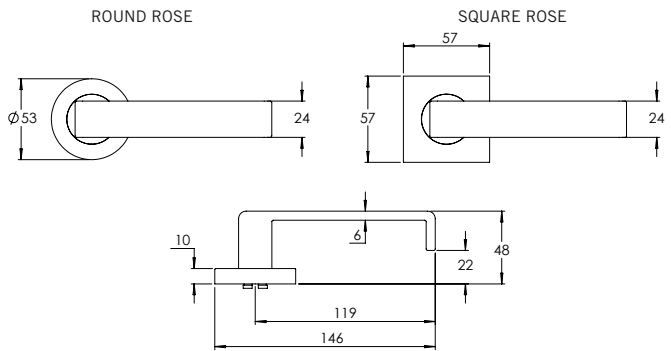
888-10

 4 HOUR FIRE RATED



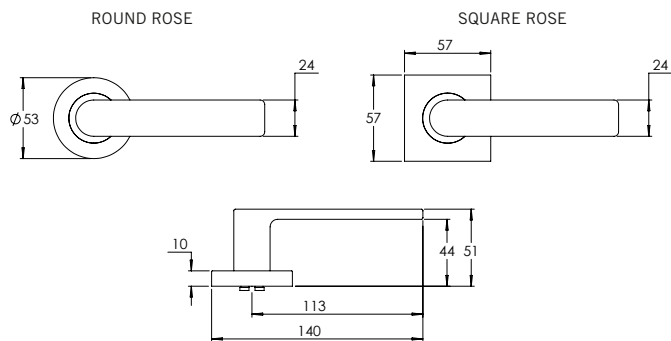
888-12

 AS1428 COMPLIANT & 4 HOUR FIRE RATED



888-14

 4 HOUR FIRE RATED

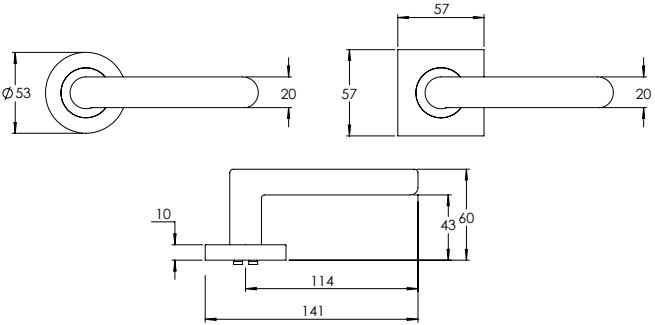


888-16



ROUND ROSE

SQUARE ROSE

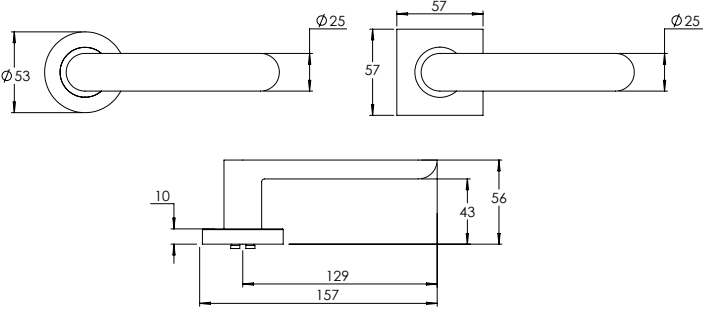


888-17



ROUND ROSE

SQUARE ROSE

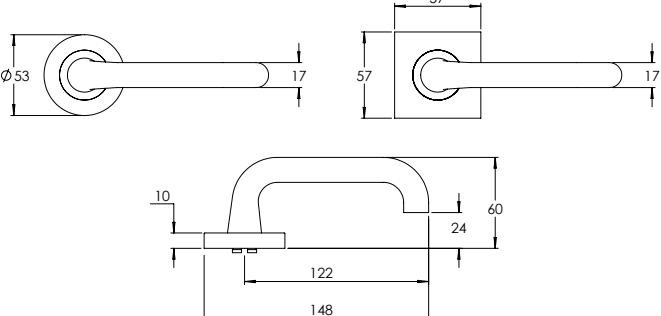


888-18



ROUND ROSE

SQUARE ROSE



VISION SERIES Accessories



888-EU

888-OC

888-TT

888-ER



OUR COMPACT QUALITY SOLUTION FOR STANDARD DOORS ASSURED

Door control systems by DORMA are intelligent, integrated access solutions that combine consistency, convenience, design and premium quality. The wide-

ranging product portfolio satisfies a broad spectrum of functional requirements and thus offers solutions for almost any individual door situation.

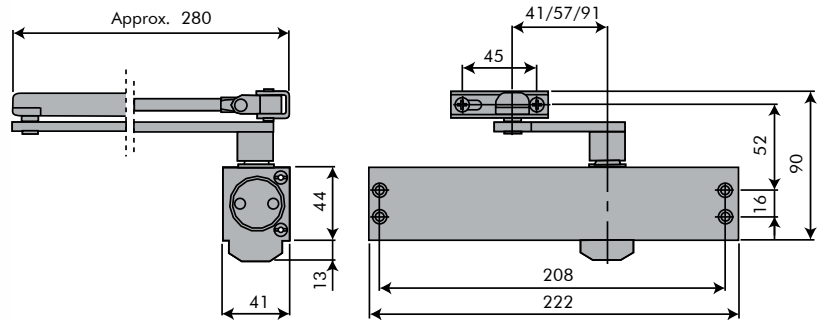


Data and features		TS079	TS0 400	TSO 500
Spring strength (adjustable by size by power shoe and templating position)		EN 2/3/4	EN 3	EN 3-5
Maximum dimension of door		≤ 1100 mm	< 950 mm	< 1250 mm
Fire doors		•	•	•
Non-handed		•	•	•
Arm type standard scissor arm		•	–	–
Arm type standard slide arm		–	•	•
Closing speed adjustable	180° – 15°	•	•	•
Latching action adjustable	15° – 0°	•	•	•
Backcheck adjustable	70° – 180°	•	•	•
Hold-open		o	o	o
Approved to AS1905 Fire Resistant Doors		•	•	•
Opening limiter		o	o	o

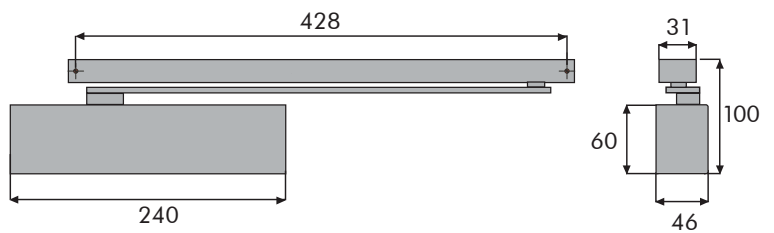
• YES – NO o OPTION

DOOR CLOSERS

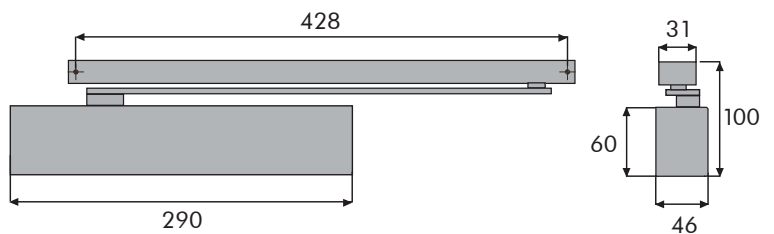
TSO79



TSO 400



TSO 500





DORMA Australia
Head Office
46-52 Abbott Road
HALLAM
Victoria 3803
Phone 1800 675 411
info.au@dorma.com
www.dorma.com

MADINOZ
Unit 3
1 - 7 Ada Avenue
BROOKVALE
NSW 2100
Phone (02) 9939 2007
sales@madinoz.com.au
www.madinoz.com.au

DORMA NZ Limited
Head Office
Building P
61-69 Patiki Road
AVONDALE
Auckland 1026
Phone 0800 436 762
info.nz@dorma.com