



MOVEO® ComfortDrive

**Fully automatic
operating system
for sound insulating
partitions**

The MOVEO ComfortDrive sound-insulating partition. Fully automatic operator technology for advanced convenience.

Quick and easy spatial adaptation in prestige and commercial environments.

The MOVEO ComfortDrive is the fully automatic partition within the MOVEO portfolio – a model that offers outstanding convenience in flexible space utilisation. At the push of a button it enables offices and conference rooms to be adapted quickly and efficiently to daily changing requirements. With this system, multi-functional space management is a truly simple affair.

Advanced technology – the ComfortDrive operating principle.

With the MOVEO ComfortDrive, sound-insulating partition elements – transparent or panelled – can be moved to their individually preprogrammed positions and their sealing strips extended or retracted under fully automatic control. The control interface takes the form of a user-friendly touch screen. Safety is ensured by an integrated monitoring system that stops the partition motions the moment contact is made with an obstacle.

Spatial management at the push of a button.

The MOVEO ComfortDrive can be controlled with just one finger operating a central touch screen. Aside from the standard functions “Open”, “Close” and “Stop”, a number of special positioning modes such as “One element open” (“Personnel opening” function), “Gapped configuration” or various free positioning patterns can be individually programmed and selected.

Outstanding flexibility

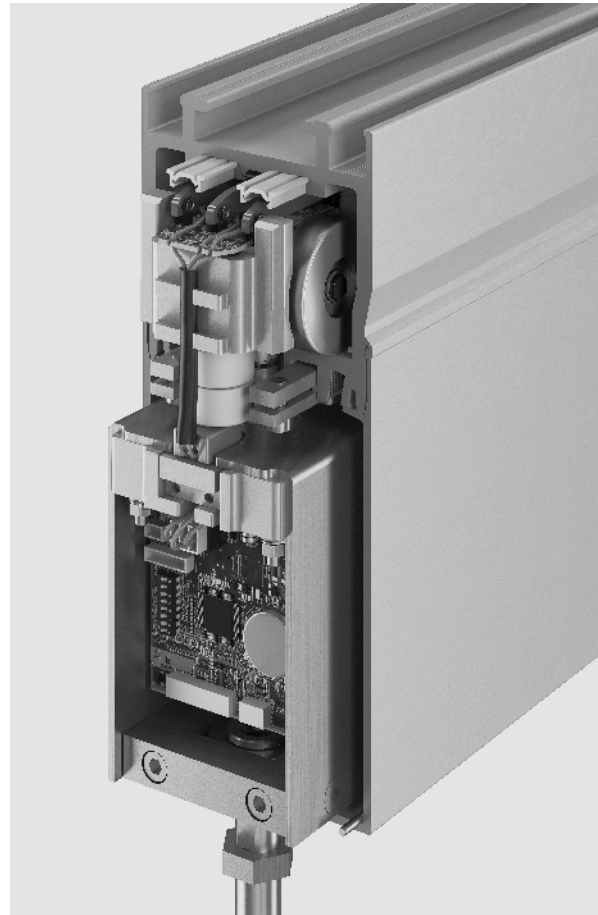
Made up of individually operable elements, the MOVEO ComfortDrive can be adapted to almost any layout and architectural concept. The elements are available in several standard designs and can be provided with virtually any surface finish required. The stacking tracks/parking arrangements for accommodating the elements at the end or side of the track are arranged in keeping with the requirements of the application and designed so that the stacked elements take up as little room as possible.



Contents	Page
Benefits	3
Technical data	4
Partition layout, operating behaviour	5
Track configurations, basic functions	6
Extended/special operating modes	6/7
Vertical sections	8
Track design details	9
Element types, element interconnection	10
Floor guides, track suspension systems	11
Stacking tracks	12/13
Touch panel, cabling diagram	14

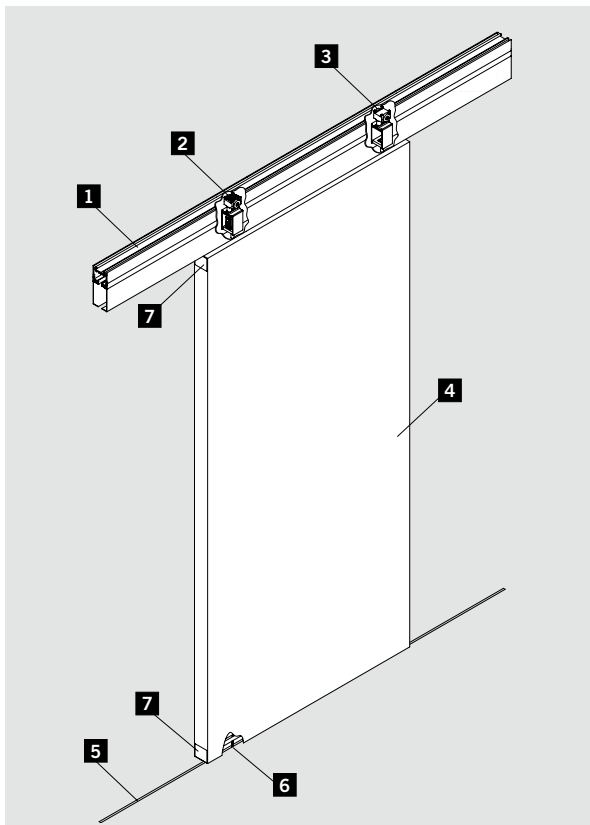
The benefits at a glance

- Fully automatic actuation at the push of a button
- Exceptional convenience with dynamic opening and closing speeds of up to 250 mm/s
- Easy operation with self-explanatory touch screen
- Aesthetically elegant with slender track profile of just 98 mm in width
- Available in both panelled and transparent versions
- Several element types and partition systems can be combined within one layout
- Safety ensured by an integrated monitoring system that stops and reverses the partition on contact with an obstacle – TÜV-GS safety-tested.
- Satisfies German statutory requirements governing powered windows, doors, shutters and gates: BGR 232, UVV (accident prevention) and VDE (electrical safety)
- Smart control system: elements communicate while on the move
- Individually programmable for custom configuration
- Statutory microprocessor control (bus system) for activation and monitoring of the operational sequence and functions
- In the event of a power failure, the partition can be manually operated
- Up to 30 elements per partition system, with up to 50 metres of track
- Element heights up to 9,000 mm
- Single element weights up to 500 kg
- High spatial configuration flexibility
- Sound insulation with panelled MOVEO elements up to $R_w = 55$ dB (lab value) and with transparent MOVEO Glass elements up to $R_w = 50$ dB (lab value).



Technical data	ComfortDrive
Track width	98 mm
With ceiling connection girder and quadruple-skin baffle	154 mm
Operator height	241 mm
Max. length with one control unit	50 m
Max. number of elements	30
Element width	600 – 1,250 mm
Max. element height	9,000 mm
Max. element weight	500 kg
Radius (directional changes)	150 mm
Hold-open time, personnel access	variable
Travel speed	dynamic response up to 250 mm/s
Force limited to	150 N
Parameterisation	with laptop
Power consumption, stand-by mode	20 W
Max. power consumption (20 elements)	1,000 W
Electro-mechanical locking device	optional
Manual unlocking	●
TÜV-GS safety-tested	●
Line fuse	16 A
Power supply	230 V AC
Power supply within operator	36 V DC
Class of protection	I

● Standard ○ Option



Control functions	
Touch panel functions	
Basic functions	
OPEN	●
CLOSE	●
STOP	●
Extended basic functions	
Partial opening / Partial closing	○
Personnel opening	○
Gapped configuration	○
Special modes	
Zonal opening	○
Free positioning	○
Key switch for personnel access	○
Electronically controlled extension and retraction of sealing strips	●
Emergency power module	○
Floating contact	●
Bus interface	●
Status feedback signalling	●

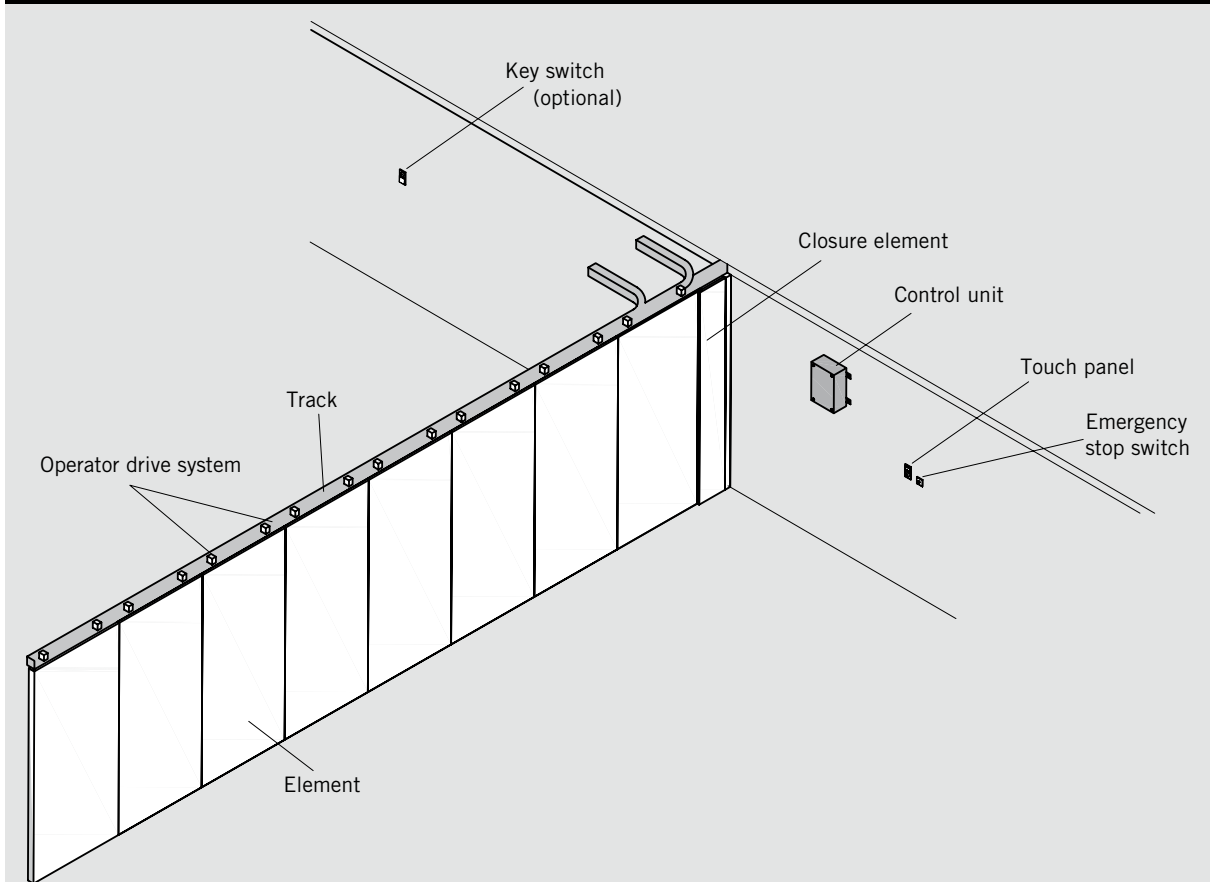
Sound insulation	
Sound insulation in R_w^* MOVEO	up to 55 dB
MOVEO Glass	up to 50 dB

* per EN 20140, lab values

System structure

- 1 Ceiling-mounted load-bearing guide track with busbar system and cover
- 2 Driven carriers with element suspension mountings
- 3 Non-driven carriers with element suspension mountings
- 4 Partition elements of various designs and finishes
- 5 Floor-recessed guide track
- 6 Floor guide pin fitted to each partition element
- 7 Automatically controlled extending and retracting sealing strips

Partition layout



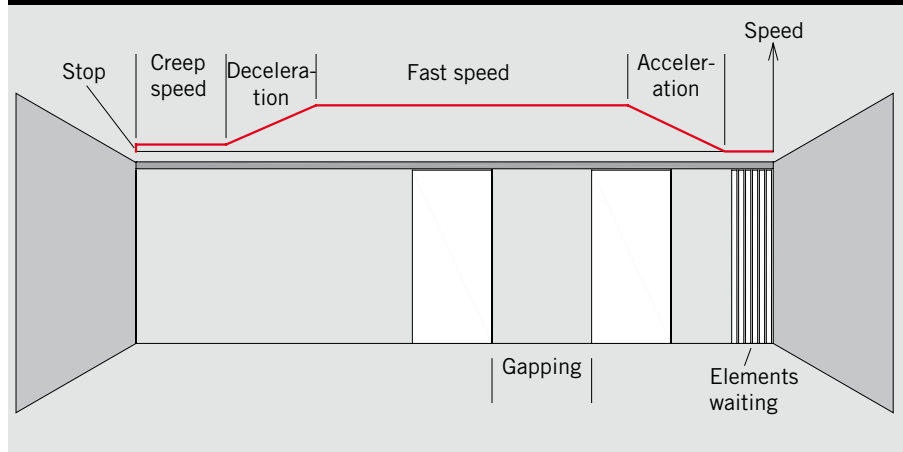
Operating modes

In all operating modes, the partition elements are moved to their preprogrammed positions under fully automatic control. The operating behaviour is dynamically adapted according to where an element is currently located and where the preceding and following elements are positioned at any given moment in time. **The system operating behaviour can be adjusted by parameter reconfiguration.**

Acceleration: As soon as an element receives the command to go, it checks to ensure that the way ahead is free and then accelerates to the preprogrammed speed.

Fast speed: If the way ahead is unimpeded over a good distance, the element is accelerated to the highest speed of travel.

Operating behaviour



Creep speed: The element switches to creep mode to travel the final few inches to its preprogrammed position.

Deceleration: As the element approaches its preprogrammed position, the speed is reduced to the required creep value.

Stop: The element stops once it has reached its preprogrammed position. The top and bottom sealing strips are extended.

Staggered travel mode: The element follows the preceding element at a defined distance as they move into their respective positions.

Waiting: Elements receiving the command to go remain in the waiting mode until the way ahead is free.

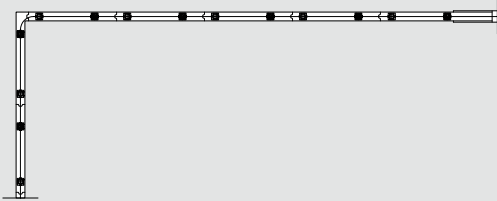
Track configurations

Example applications

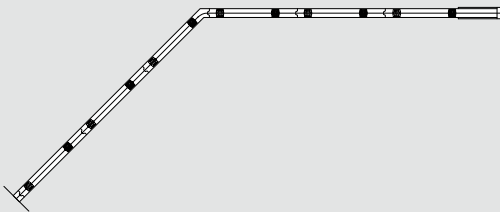
Straight track



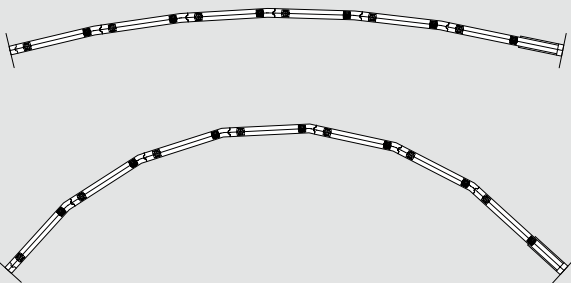
Track configuration with 90° angle



Track configuration with obtuse angle (e.g. 135°)

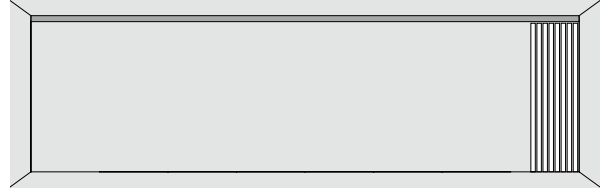


Segmented track configurations



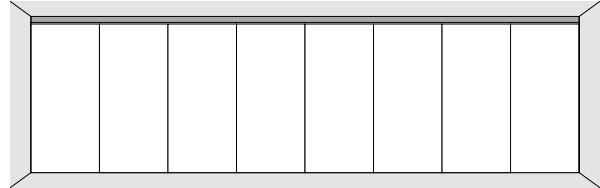
Basic functions

OPEN



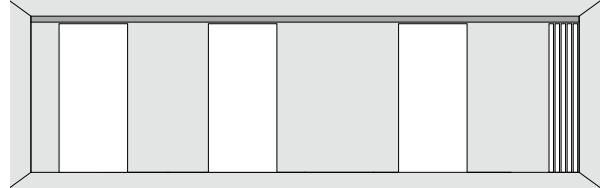
Automatic retraction of sealing strips. All elements move under fully automatic control to the OPEN position.

CLOSE



All elements move under fully automatic control to the CLOSED position. Automatic extension of sealing strips.

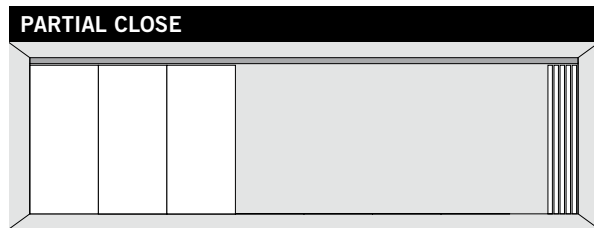
STOP



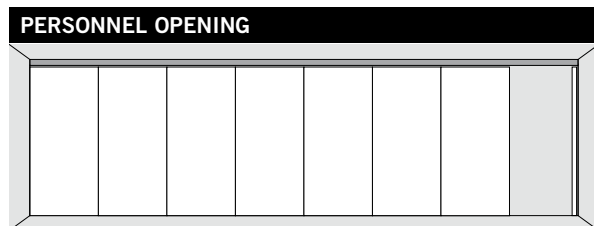
Immediate interruption of all travel functions.



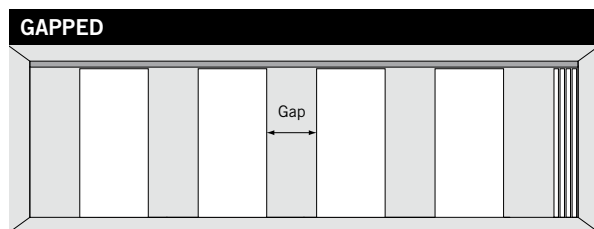
Extended basic functions (optional)



Partial opening or closing of partition. The number of elements affected can be preset by parameter configuration.

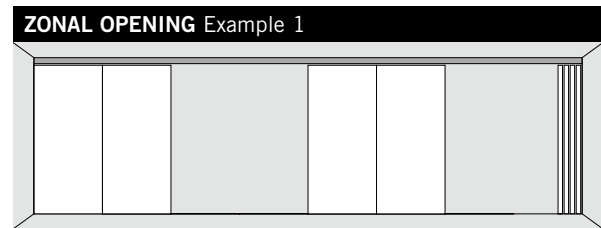


Partial open mode (personnel access). The number of elements that open or close can be preset by parameter configuration.

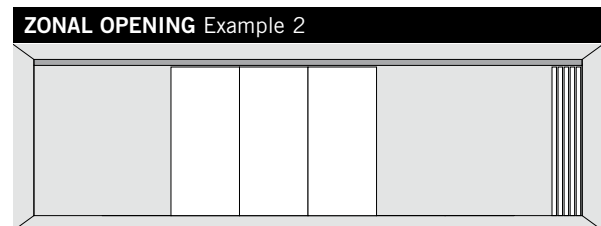


Positioning of the elements at a preprogrammed distance apart. The number of elements and the gapping distance can be preset by parameter configuration.

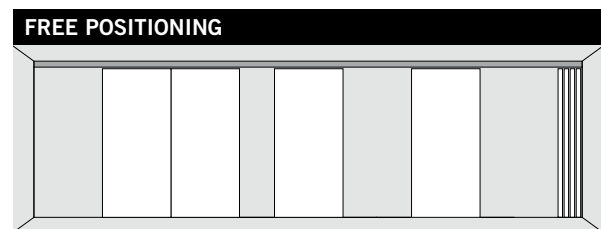
Special operating modes (optional)



Certain areas of the partition can be opened. The position and number of elements can be preset by parameter configuration.



Certain areas of the partition can be opened. The position and number of elements can be preset by parameter configuration.

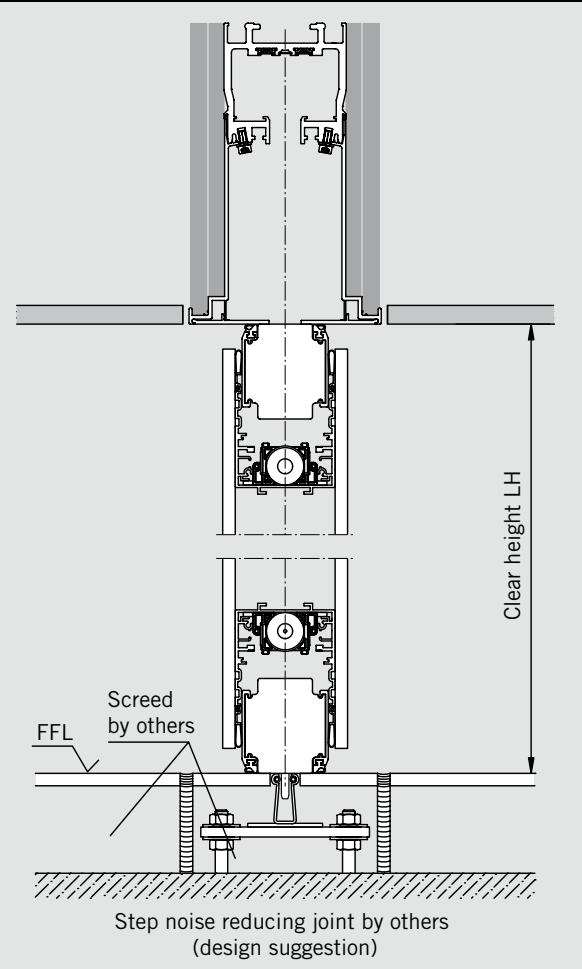


This mode offers the possibility of placing the elements at any track location.

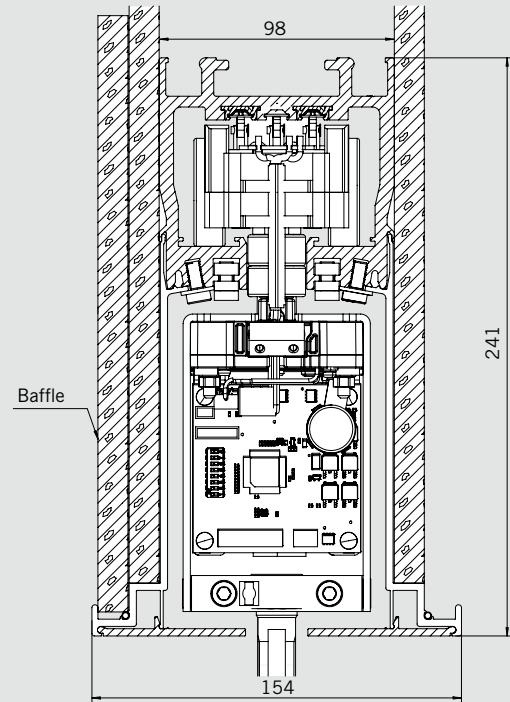


Vertical sections

Vertical section with a MOVEO element



Vertical section through track with cover and baffle

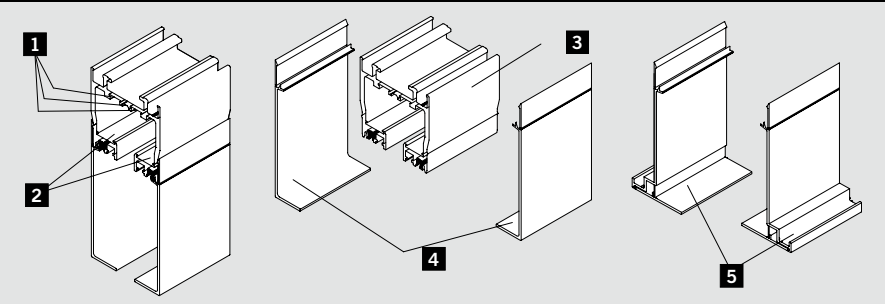


Drawing shows track and carrier trolley. Track with lateral baffle (single- and double-skin types illustrated).



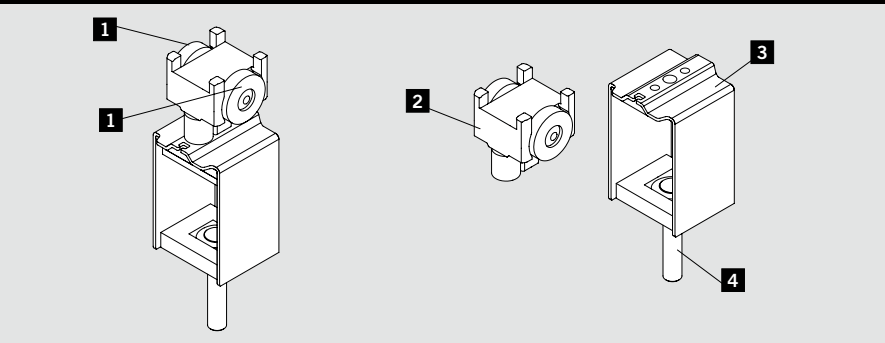
Track design details

Track rail



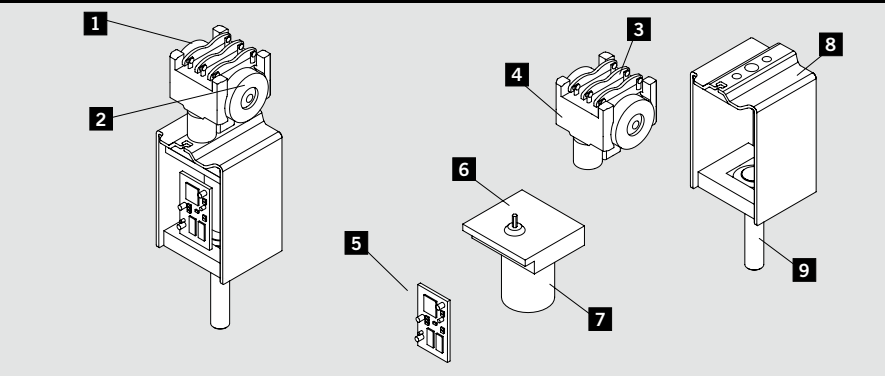
- 1** Busbars (contact rails)
- 2** Running surfaces
- 3** Track profile
- 4** Track covers
- 5** Track covers for lateral baffle in sound-insulating partitions

Non-driven carrier



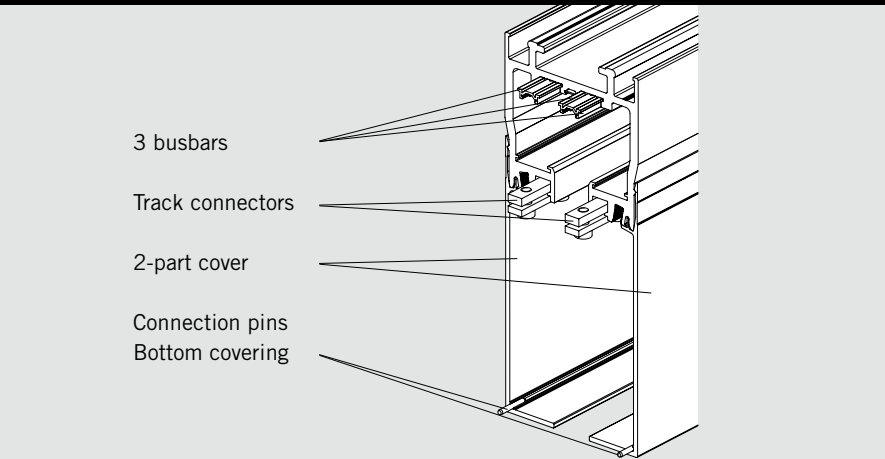
- 1** Non-driven roller
- 2** Roller head
- 3** Support frame
- 4** Carrier pin

Driven carrier



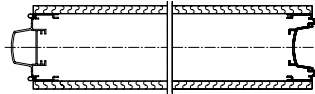
- 1** Driven roller
- 2** Non-driven roller
- 3** Collector
- 4** Roller head
- 5** PCB
- 6** Drive gear
- 7** Motor
- 8** Support frame
- 9** Carrier pin

Track interconnection

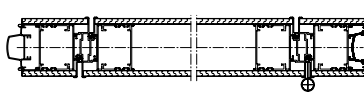


Element types

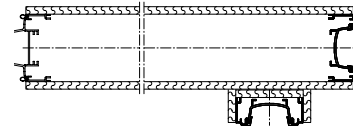
Fullwall element



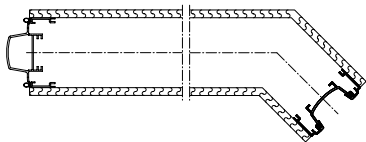
Passdoor within element



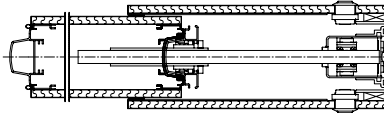
90° element



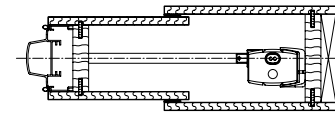
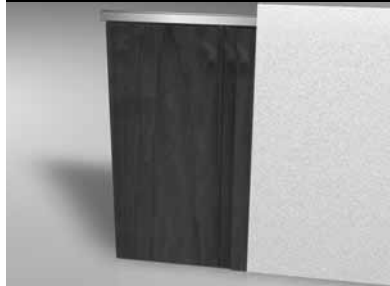
Angle element



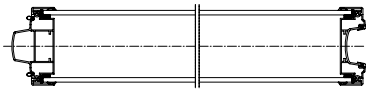
Telescopic element



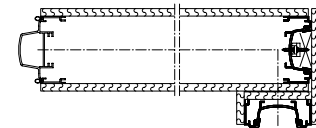
Telescopic wall abutment



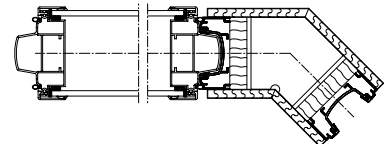
Glass element



Glass element with 90° corner

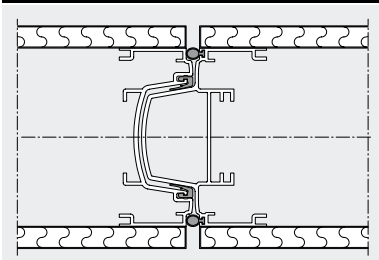


Glass element with angle

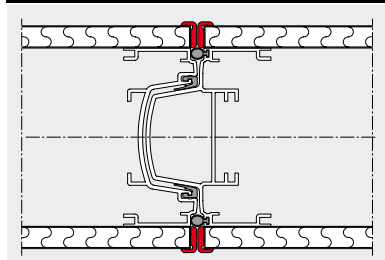


Element inter-connection

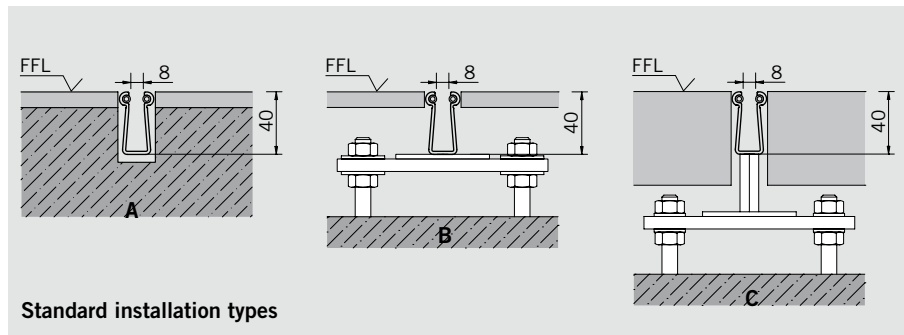
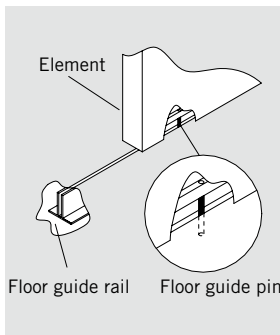
Visible edge (type K)



Edge protection profiles (type U)



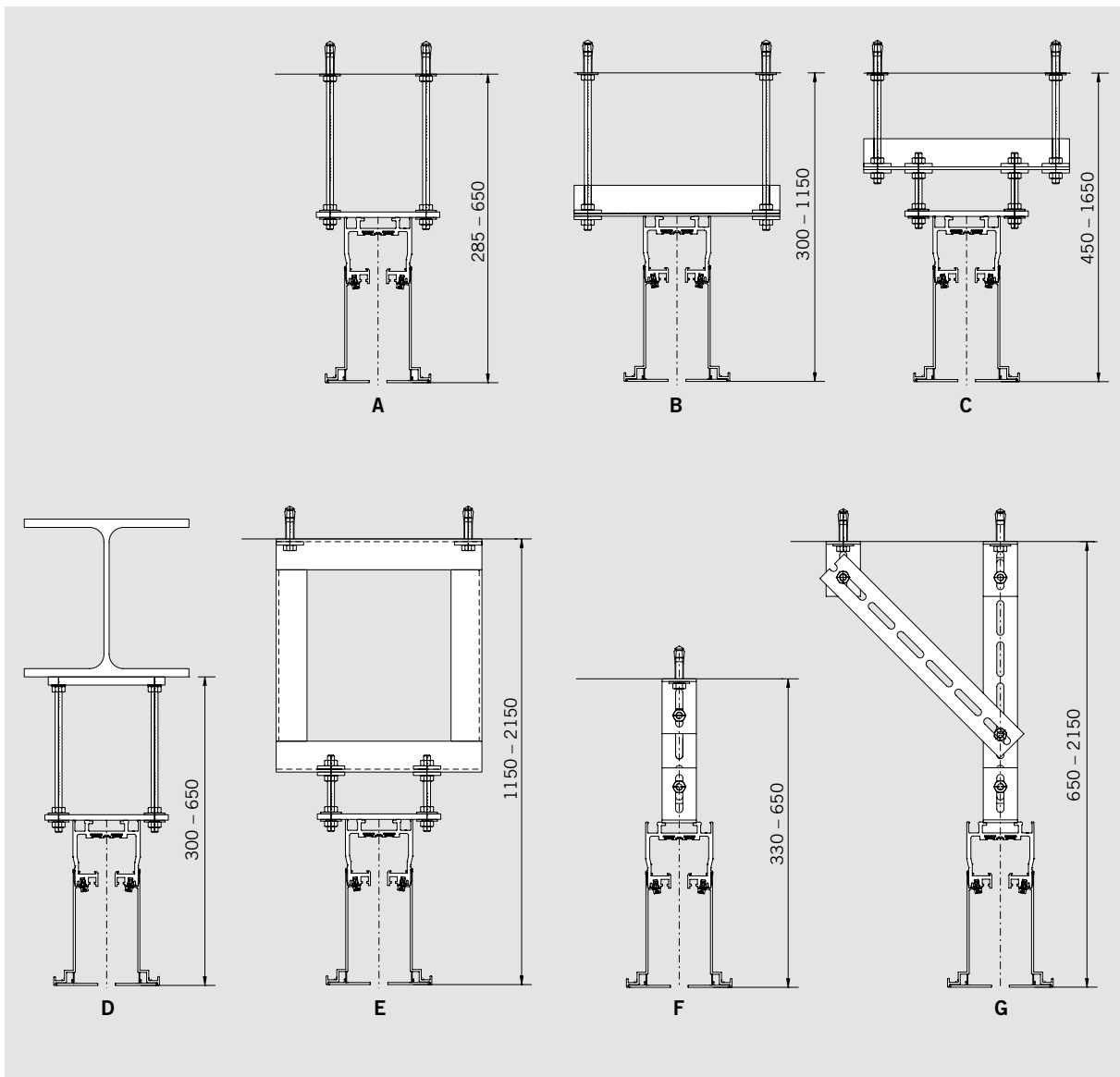
Floor guides



Suspension systems

The track suspension system is selected on the basis of the specific application requirements.

The following examples show the most common suspension systems used for the partition track type in question.



Stacking track options

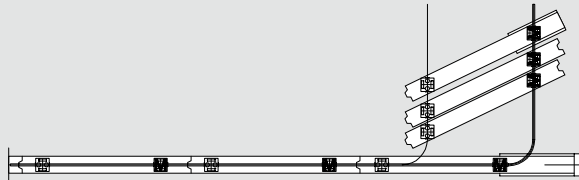
The stacking tracks serve to store the elements in a compact stack and can – depending on the room size and shape – be located within a

very small area for maximum spatial efficiency. The low weight of the elements and the advantages that this brings in terms of the struc-

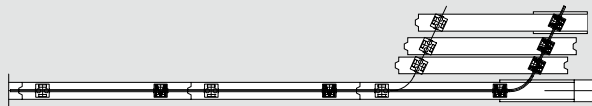
tural building requirements that need to be fulfilled are particularly beneficial in the stacking areas. The following shows our standard stacking

track arrangements. Custom solutions to meet specific requirements can also be provided on request.

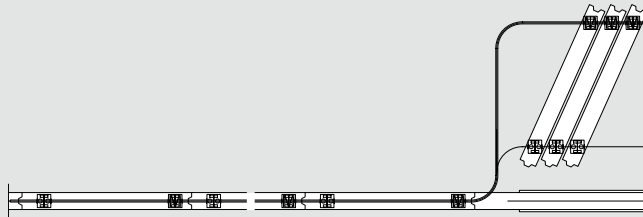
GRD-S1



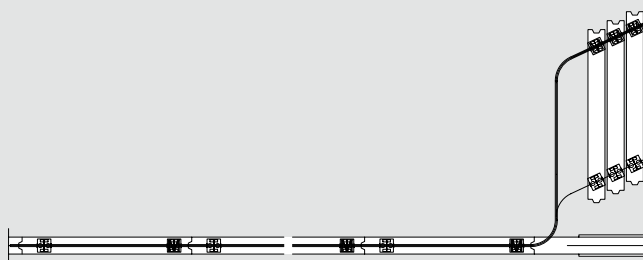
GRD-S2



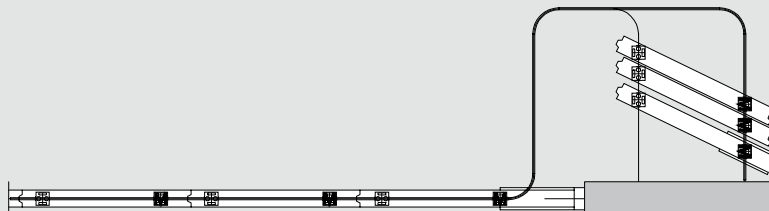
GRD-S3 AWA



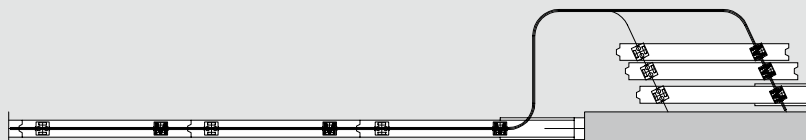
GRD-S4 AWA



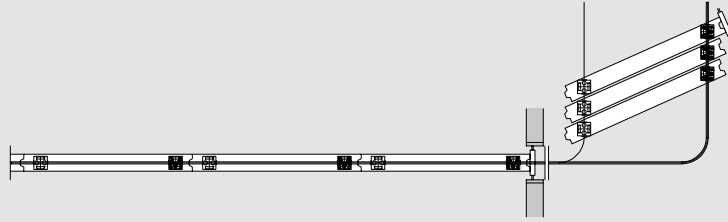
GRD-S5



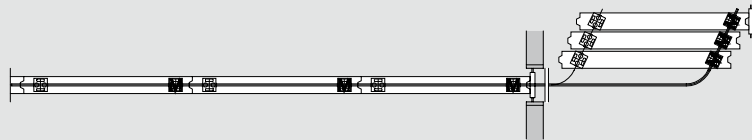
GRD-S6



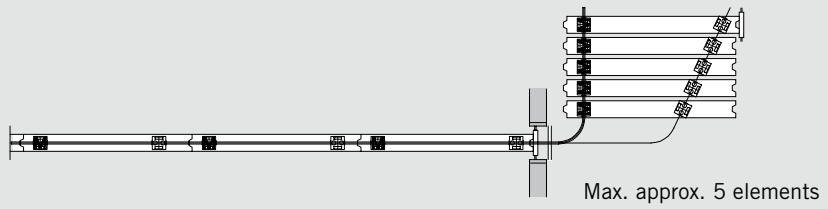
GRD-S7



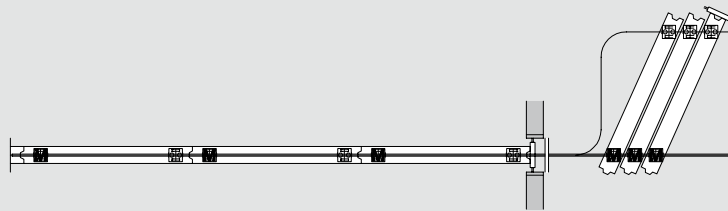
GRD-S8



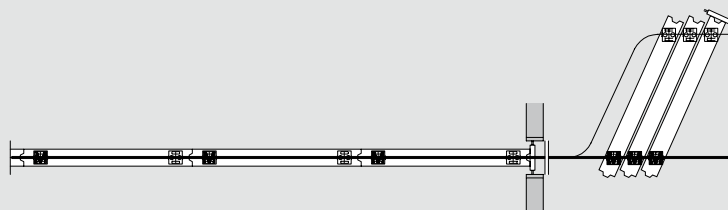
GRD-S9



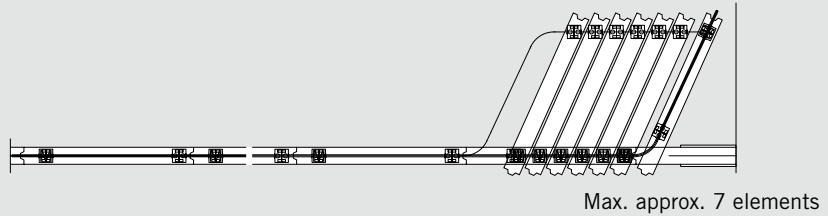
GRD-S10



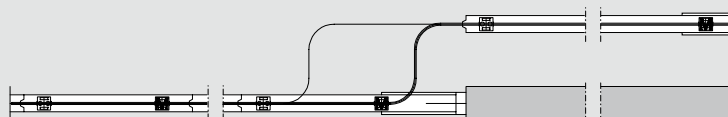
GRD-S11



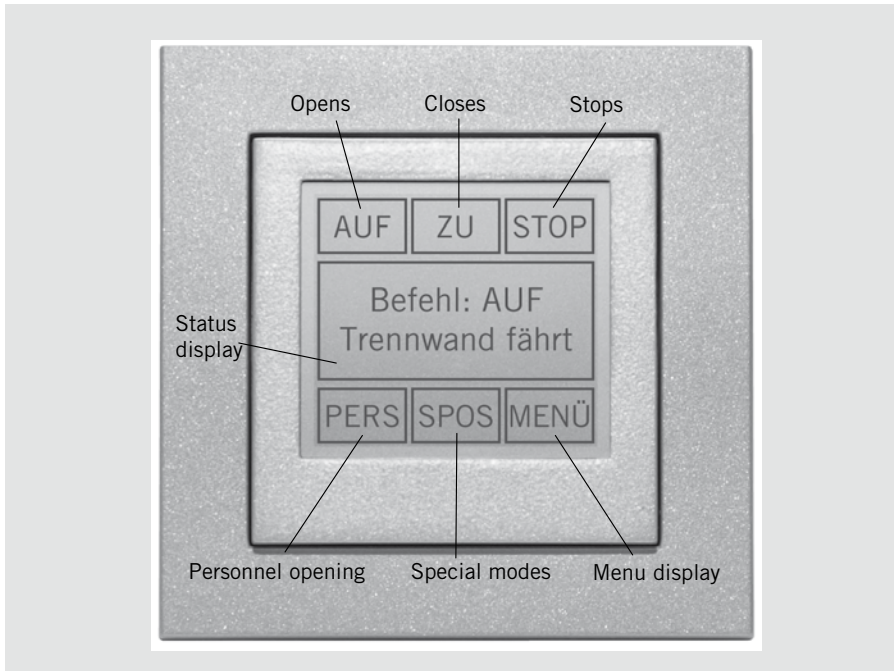
GRD-S12 AWA



GRD-S13

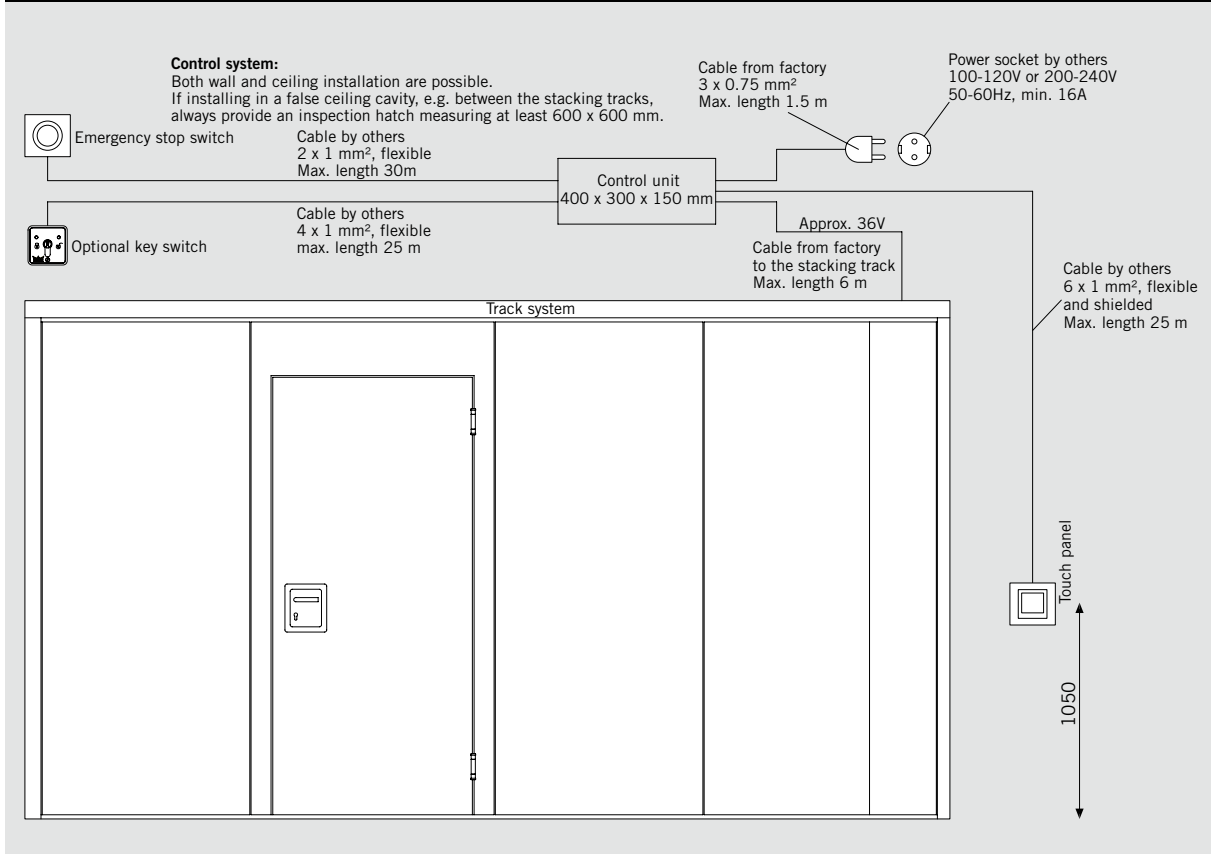


Touch panel with display for control and programming functions



All the functions of the MOVEO ComfortDrive can be controlled with just one finger operating the buttons of the central touch screen. Aside from the standard functions “Open”, “Close” and “Stop”, a number of special positioning modes such as “Personnel opening”, “Gapped configuration” or various free positioning patterns can be individually programmed and selected. A bus link with the building control system can also be provided.

Cabling/wiring diagram



ComfortDrive for glass panel partitions

Fully automatic glass panel partition system as a room divider. For more information, please see the brochure: "ComfortDrive – Fully automatic operating system for glass panel partitions". If you don't have the brochure, we will be glad to send you one.





Door Control



Automatic



**Glass Fittings
and Accessories**



**Security/Time
and Access (STA)**



Movable Walls

DORMA Hüppe
Raumtrennsysteme GmbH + Co. KG
Industriestrasse 5
D-26655 Westerstede/Ocholt
Postfach 2190
D-26648 Westerstede
Tel. +49 4409 666-0
Fax +49 4409 666-489
info.hueppe@dorma.com
www.dorma-hueppe.com

DORMA Hüppe Austria GmbH
Hollabererstrasse 4 b
A-4020 Linz
Tel. +43 732 600451
Fax +43 732 650326
office@dorma-hueppe.at
www.dorma-hueppe.at

DORMA Gulf Door Controls FZE
Jebel Ali Free Zone South
Plot No. S 20135
Road No. SW 301 G
P.O. Box 17268
Dubai – United Arab Emirates
Phone +971 4 8020400
Fax +971 4 8869100/8869101
deepak@dormagulf.com
www.dorma.com/gulf

DORMA Malaysia Sdn. Bhd
P.O. Box 55
PLO 217 Kawasan Perindustrian
Senai IV
81400 Senai, Johor
Malaysia
Phone +60 7 5985730
Fax +60 7 5985729
www.dorma-hueppe.com

DORMA Ibérica S.A.
División Hüppe Muros Móviles
Camino de San Martín de la Vega, 4
E-28500 Arganda del Rey (Madrid)
Phone +34 91 8757852
Fax +34 91 8757884
jpaller@dorma.es
www.dorma.es

DORMA Schweiz AG
Industrie Hegi
CH-9425 Thal
Tel. +41 71 8864646
Fax +41 71 8864656
info@dorma.ch
www.dorma.ch