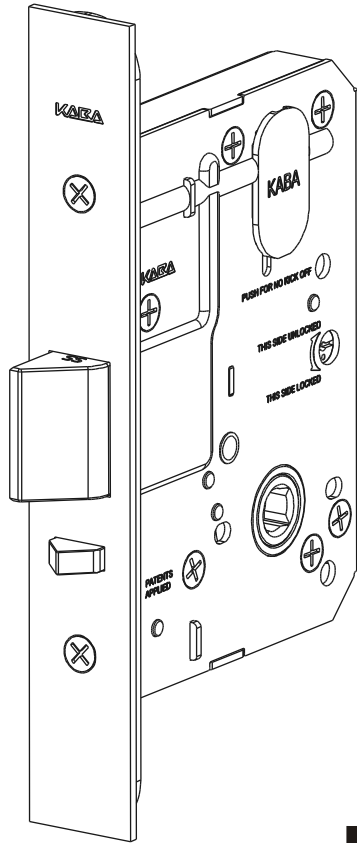


MS2 MORTICE LOCK

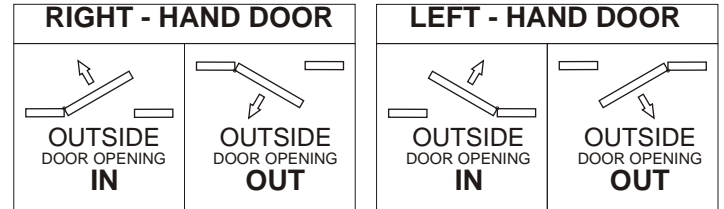
M SERIES

INSTALLATION INSTRUCTIONS

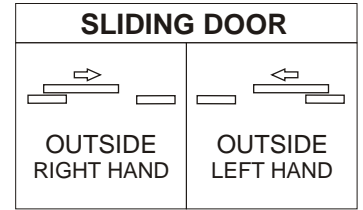


KABA®

HANDING OF DOOR - BRITISH STANDARDS



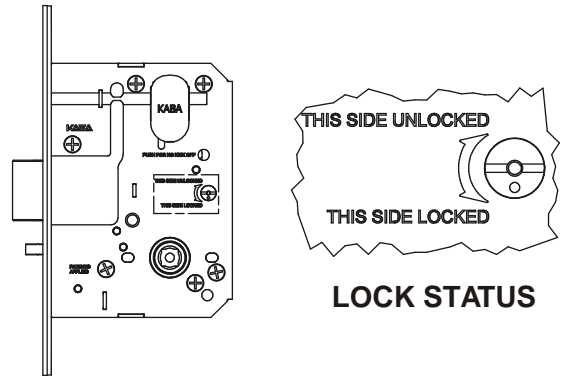
NOTE:
CASE DOES NOT NEED TO BE OPENED AT ANY TIME TO CHANGE FUNCTION OR HANDING OF THIS LOCK



1

LOCK STATUS

1. Check Lock Status before installation and change as required.
2. To UNLOCK - Remove cylinder hole cover cap and using a small flat blade driver, lift locking bar.

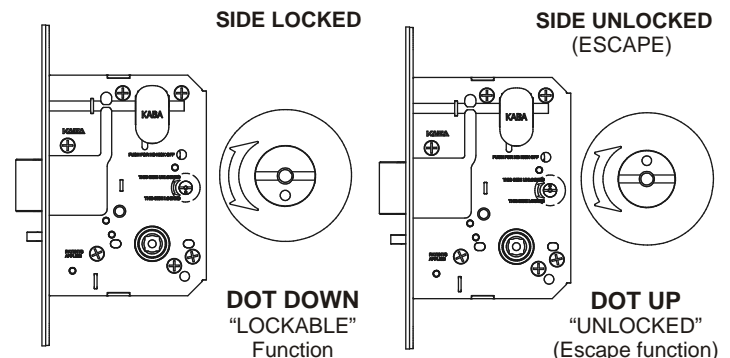


2

LOCK FUNCTIONS - VESTIBULE HANDING

Rotating the cam determines the function on each side of the lock - use small flat blade driver.

“LOCKED” - Side is locking “UNLOCKED” - Side is free



3

CYLINDER

TURN

	CAM - H FUNCTION - HOLD BACK LATCHBOLT		CAM - JL/JR FUNCTION - CLASSROOM LOCK
	CAM - L FUNCTION - LOCK AND UNLOCK LOCKING BAR		ADAPTOR - K1 FUNCTION - LOCKING TURN ADAPTOR
	CAM - N FUNCTION - DEADBOLT AND SLIDING LOCK		TURN BAR - P FUNCTION - CASE FIX PRIVACY LOCK USED ON CASE FIX TURN WITH ADAPTOR K
	CAM - R FUNCTION - RETRACT LATCHBOLT		ADAPTOR - T FUNCTION - CASE FIX LOCKING USED ON CASE FIX TURN WITH ADAPTOR K
	CAM - RT FUNCTION - CLASSROOM LOCK USED WITH ADAPTOR JR OR JL		ADAPTOR - JL FUNCTION - CLASSROOM LOCK
	CAM - A FUNCTION - TURN ADAPTOR ACTIVATION USED WITH ADAPTOR K		ADAPTOR - JR FUNCTION - CLASSROOM LOCK

NOTE: For high Security installations - Ensure the Cam used on keyed cylinder is solid and has no allowance for tailbar.

LOCK FUNCTIONS - VESTIBULE HANDING

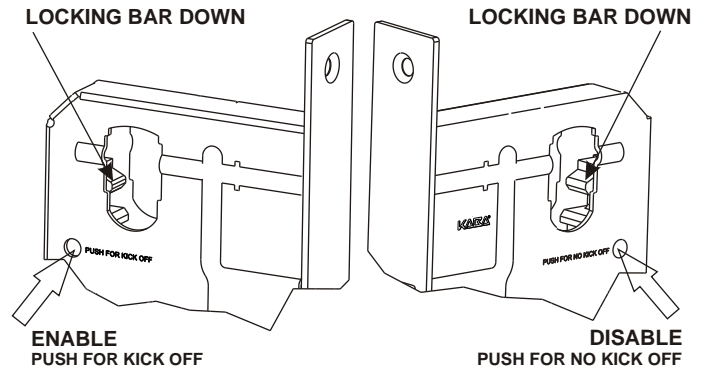
Determine if kick-off (anti-lockout) function is required.

TO ENABLE KICK OFF FUNCTION

1. Ensure lock is in LOCKED STATUS - (Locking Bar Down)
2. Depress slide where marked "PUSH FOR KICKOFF" with a small pin.

TO DISABLE KICK OFF FUNCTION

1. Ensure lock is in LOCKED STATUS
2. Depress slide where marked "PUSH FOR NO KICKOFF" with a small pin.



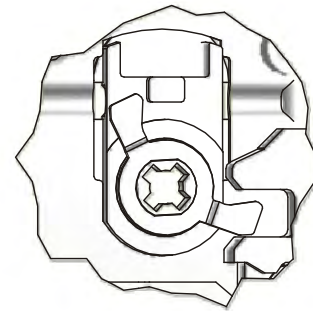
4

TURN ADAPTOR INSTALLATION

Kaba turn adaptors are captive and must be installed correctly for proper operation.

1. Determine handing for adaptor.
2. Put lock into LOCKED STATUS by moving locking bar down position.
3. Insert adaptor as per illustration (A), ensuring the cam plate is engaged in with locking bar.
4. Insert retaining pin and test operation, ensuring the locking bar is operating up & down with operation of cam (Maximum 1/4 turn Left or Right)..
5. Lock can now be left in UN-LOCKED STATUS, locking bar Up until fully installed in door.

A



5

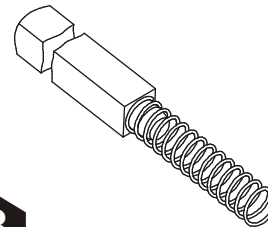
MORTICE INSTRUCTIONS

1. Determine centre line and height of installation on door.
 2. Place template on door and align with centre line, mark and mortise area to desired depth.
 3. Clean out mortice and insert lock case to check desired cavity size.
 4. Fold template, align on door to centre lines, mark and drill desired cylinder, spindle and screw holes from both sides.
- *NOTE: REMOVE LOCK FROM DOOR BEFORE DRILLING
5. Clean out mortice and install lock.

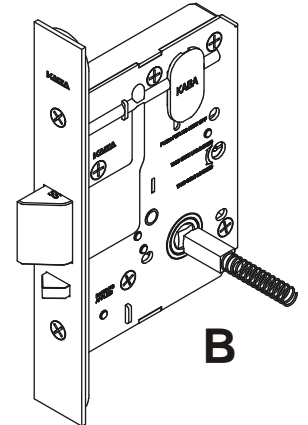
6

SPINDLE INSTALLATION

1. Attach spring to spindle (A).
2. Install spindle(s) into lock (B).



A

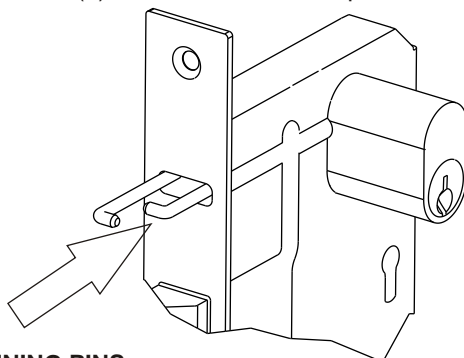


B

8

INSTALLATION OF CYLINDERS

1. Remove plastic cylinder cover cap with small flat blade screwdriver.
2. Install lock in mortice and insert cylinder.
3. For high Security installations - Ensure the Cam used on cylinder is solid and has no allowance for tailbar
4. Insert retaining pin to secure cylinder - ensure pin is flush with front plate.
5. Install face plate with (2) metal thread screws provided.

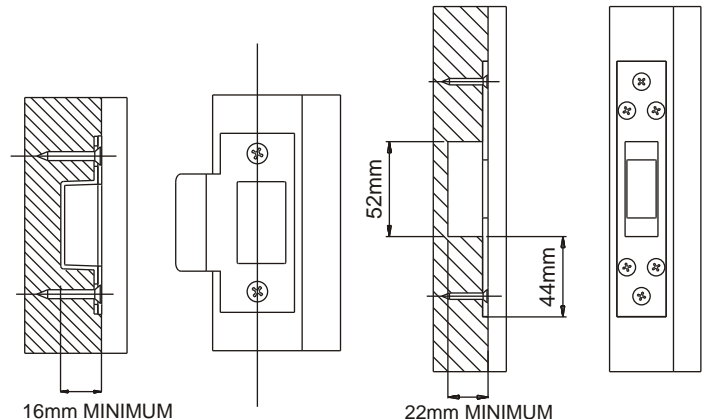


RETAINING PINS

7

STRIKE INSTALLATION

1. Mark out frame for strike and strike box if applicable.
2. Install strike with screws provided.
3. IMPORTANT - Ensure gap between lock & strike is a Maximum of 3mm.



16mm MINIMUM

22mm MINIMUM

9

UNIVERSAL STRIKE

SLIDING DOOR STRIKE