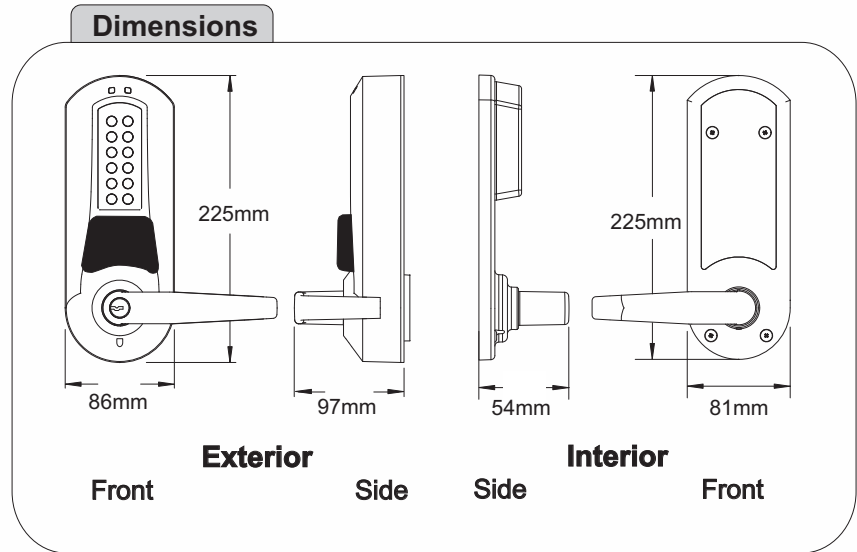


E-PLEX[®]

5700 CYLINDRICAL

Extra Heavy-Duty Primary Lock

Specification Sheet



Features

Access Control	Electronic pushbutton lock with dual credential capability - PIN and / PROX card (HID, 125khz, 26 to 84 bit format). Lock is scheduled to require credentials based on security and convenience requirements PIN only PROX card only PIN + PROX card	
Locking Device	Cylindrical latch with 3 hour UL/ULC fire rating	
Number of Codes	3,000 access codes per door; over 100 million possible code combinations	
Audit Trail	The most recent 30,000 lock events are recorded in memory including use of the mechanical key override	
Programming	Locks are programmed via E-Plex Advanced Access Control Software (not included) - provides easy management of doors and users	
Handing	Non-handed, pre-assembled for left hand door installations - easily changed in the field	
Scheduling	Access scheduled Holiday / Vacation	Up to 16 different access schedules may be programmed into lock Up to 32 different holiday / vacation blocks may be programmed into lock
Passage Options	First manager in (or privileged user) Automatically according to access schedules Manually toggled on / off at lock	
Authority Levels	Six different levels allow you to control who has access to specific lock functions, includes: Service codes - programmed for one time access or "come and go" access for 1 to 24 hours' Guest Management - access for temporary users expiring from 1 to 365 days	
User Parameters	Code length Anti-tamper lockout Re-lock time	Adjustable to accept 4 to 8 digits Adjustable from 3 to 9 invalid attempts with an adjustable period of 0 to 90 seconds Adjustable from 2 to 20 seconds
Battery Operation	Batteries located in interior housing cover; offers quick and easy battery replacement for institutions (Four AA Alkaline batteries provide up to 120,000 cycles) Lock data is maintained if batteries fail	
Ease of Installation	LectroBolt™ (patent pending) eliminates wiring to or through the door - no risk of pinched wires	

Mechanical Features

Construction	Extra heavy-duty, cylindrical lockset, solid cast housings, solid cast levers, cylindrical drive wear tested for extensive use in indoor and outdoor applications
Numerical Keypad	Vandal resistant, 12-button, metal keys
Door Handing	Non-handed, pre-assembled for left-hand door installations - easily changed in the field
Finishes	Satin Chrome 26D (626) housings & levers
Optional Finishes	Bright Brass 03 (605) housings & levers
Backset	2 $\frac{3}{4}$ " (70mm), 2 $\frac{5}{8}$ " (60mm) (optional)
Latch	$\frac{1}{2}$ "(13mm) latch, $\frac{3}{4}$ "(19mm) latch (optional)
Minimum Stile Recommended	5" (127mm)
Weight	8 lbs. (3.63kg)

Key Override

Universal Key-In-Lever Cylinders	Includes Kaba 1599 6-pin cylinder (prepped to Kaba 90 or Schlage C keyway, keyed different) and tailpieces for compatibility with:		
	Abloy 5277	Kaba 1539	Sargent 10 Line
	Abloy 5477	Kaba 1599	Schlage 23-001
	Arrow C 100	Kaba Gemini 4730	Schlage Primus 20-760
	ASSA 65611	Kaba Peaks 1099	Australian: Kaba expert 107K5 & Boyd Kc286
	ASSA 65691	Marks	European: Quattro S/Expert & AP2 (5 and 6-pin)
	Corbin Russwin 2000-03	Medeco 20W200H1	

Installation

Ease of Installation	LectroBolt™ (patent pending) eliminate wiring to or through the door - no risk of pinched wires
Door Preparation	Easily installs on wood or metal doors. ASA 161 door preparation with additional through bore holes
Door Thickness	1 $\frac{1}{8}$ "(35mm) to 2 $\frac{1}{4}$ "(57mm). Pre-assembled to accommodate doors 1 $\frac{5}{8}$ "(41mm) to 2"(50mm)
Items Supplied Include	Lock assembly, installation manual, template, quick reference guide and required hardware
Additional Items Supplied With Key-in-Lever Cylinder Model Only	Universal Kaba 1599 6-pin cylinder with tailpiece, two nickel silver keys

Certification and Testing

Durability	ANSI/BHMA A156.25, Grade 1 Certification
Fire Rating	Two hour fire rating
Environmental	Indoor/Outdoor Approved Front Housing: -31°F (-35°C) to +151°F (66°C) Rear Housing: -31°F (-35°C) to +130°F (55°C)

Warranty

Warranty	Three-year warranty from date of installation; built-in warranty counter in lock memory
-----------------	---