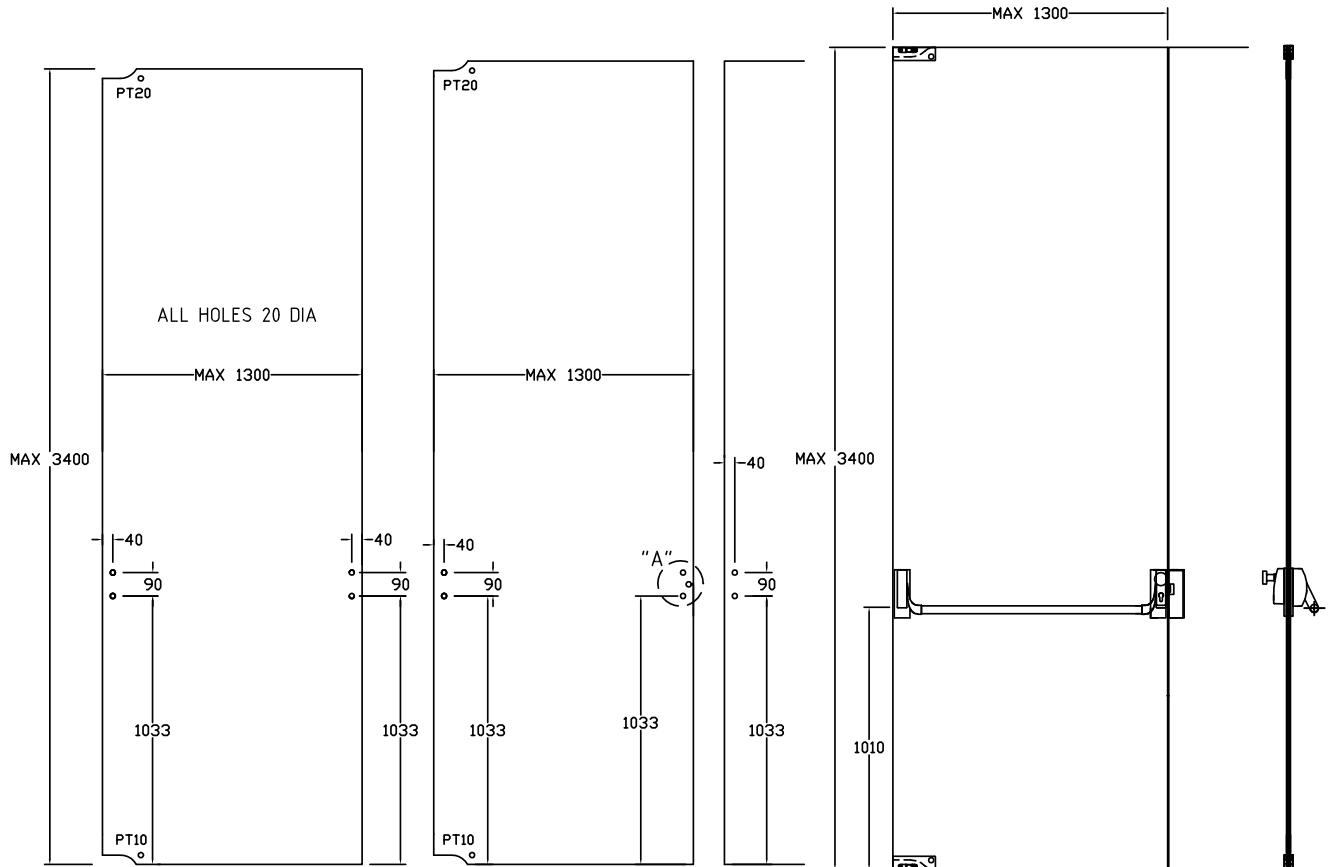


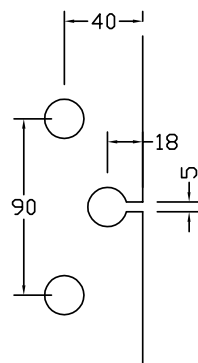
PANIC HARDWARE

PHA 2000-201P



GLASS PREPARATION

GLASS PREPARATION
FOR KEY OVERRIDE



DETAIL A

SPECIFY OPTIONAL:

Key Override Device

Side Latching Keeper

Illustrated With Side Latching Keeper

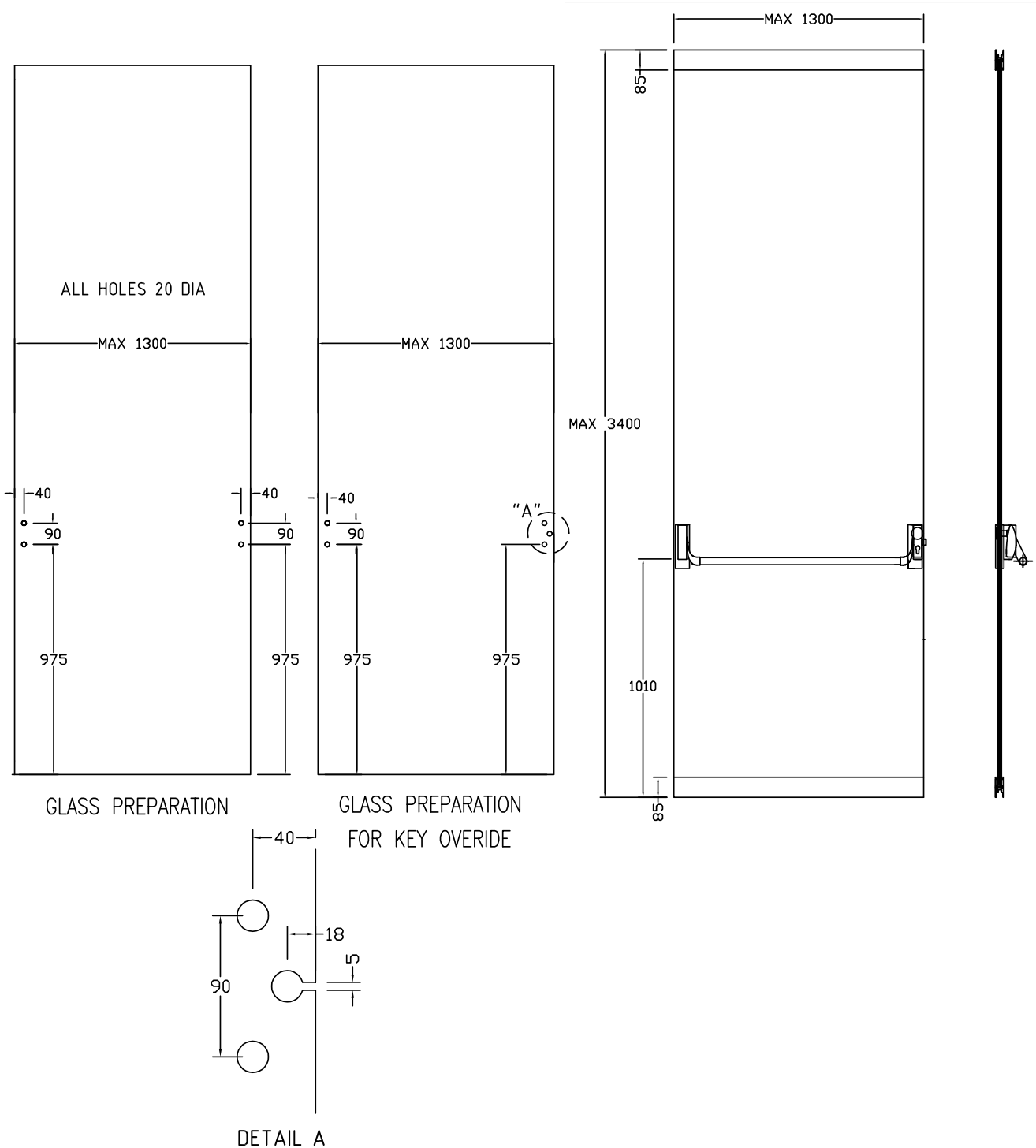
NOTE: PT 10, PT 20 Patch Fittings and other associated pivot hardware are not included

FINISHES

STAINLESS: SSS

PANIC HARDWARE

PHA 2000-201R

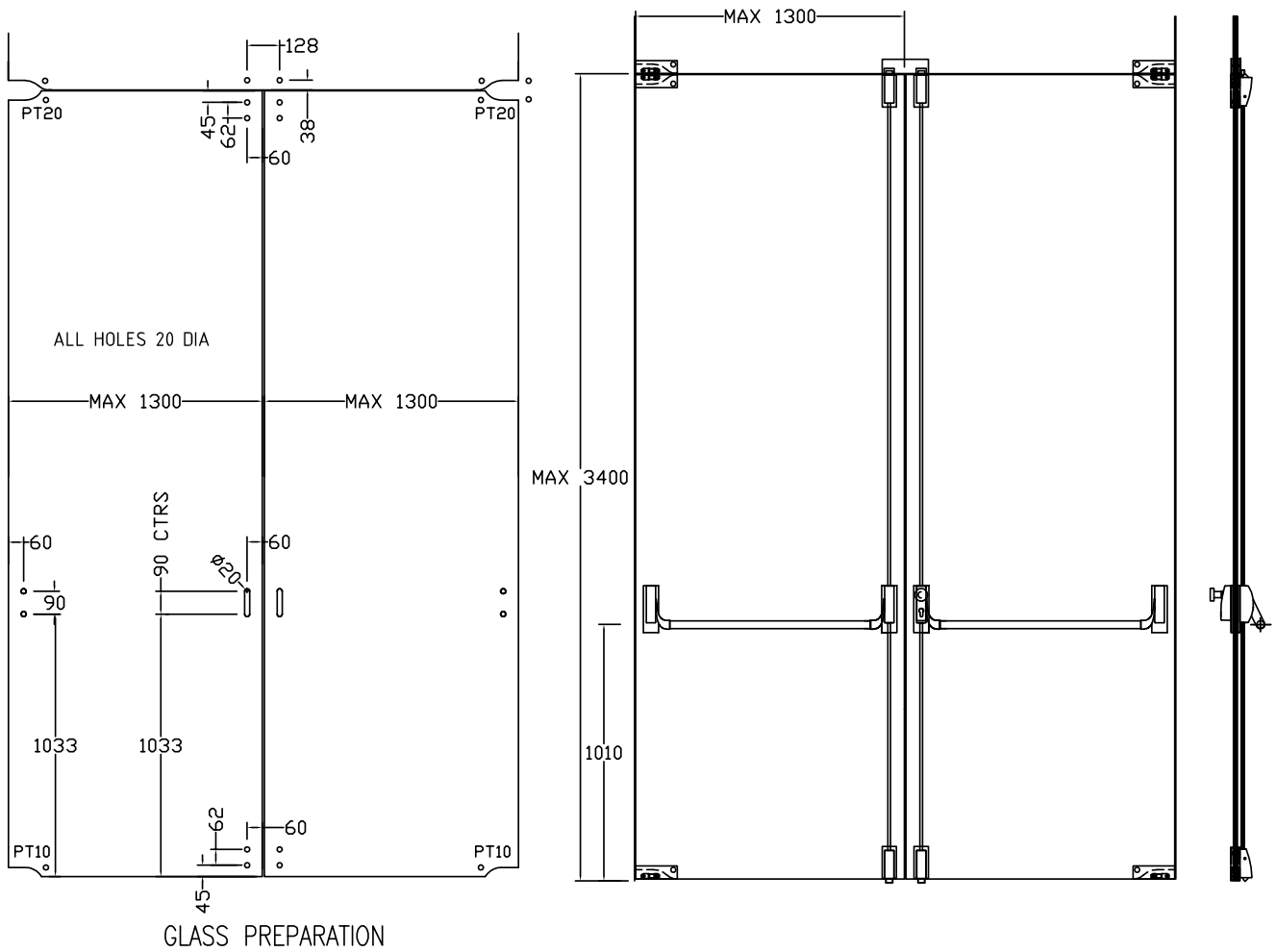


SPECIFY OPTIONAL:
 Key Override Device
 Side Latching Keeper
 NOTE: Top and bottom rails and other associated pivot hardware are not included

FINISHES
 STAINLESS: SSS

PANIC HARDWARE

PHA 2000-203P



SPECIFY OPTIONAL:

Key Override Device

Double Highlight Keeper

Single Highlight Keeper

Illustrated with Double Highlight Keeper

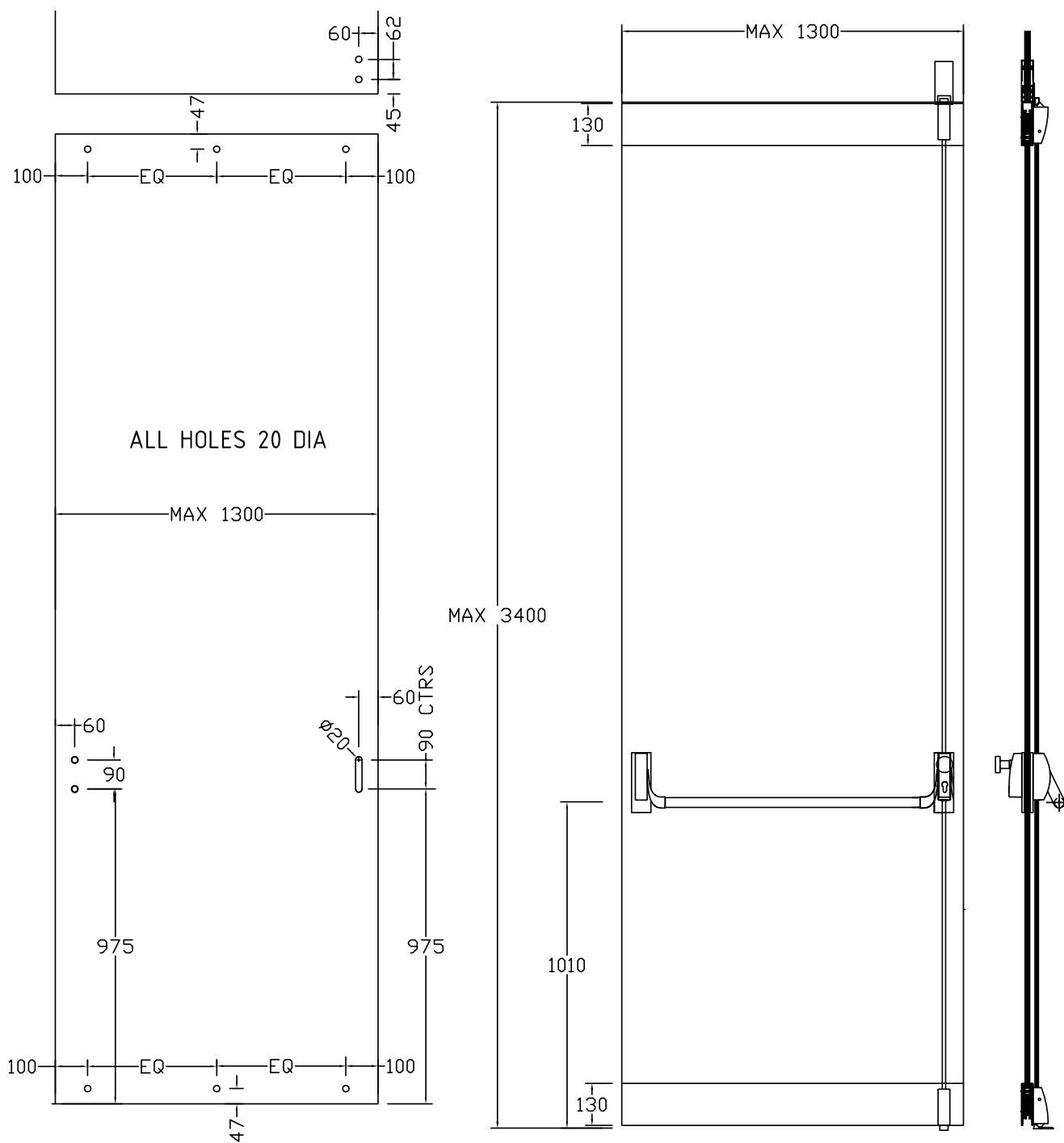
NOTE: PT 10, PT 20 Patch Fittings and other associated pivot hardware are not included

FINISHES

STAINLESS: SSS

PANIC HARDWARE

PHA 2000-203R



SPECIFY OPTIONAL:

- Key Override Device
- Double Highlight Keeper
- Single Highlight Keeper
- Illustrated with Double Highlight Keeper

NOTE: Top and bottom rails and other associated pivot hardware are not included

FINISHES

STAINLESS: SSS