



 Boundaryline

Install Guide

SMARTWALL TM

A step-by-step guide to installing your new fence

Version 1.0

Introduction

Thank you for choosing Boundaryline SmartWall Fencing. This product will provide you with many years of trouble free protection if installed in accordance with the directions outlined in this document.

The recommendations detailed in this guide are formulated along the lines of good building practice. They are not intended to be an exhaustive statement of all the relevant data.

If you have any questions, please contact our Technical Team on 0800 003 006. We are always happy to help in any way we can.

Before you start, read this

This guide does not apply to any fences over 1.8m in height. If your fence is greater than 1.8m, please seek further advice from Boundaryline.

- Describe your site details when ordering materials.
- Identify your soil type/ground conditions. Refer to the table in Step 1. This will determine the concrete and footing details required

- Make sure you are aware of underground services before you start digging! These could be gas, electricity, or water mains. Call your local council for more information.
- Check your local council regulations on boundary fencing.
- Check the delivered material for the correct number of components and general condition before beginning your installation.

Tools

- | | |
|--|---|
| <input type="checkbox"/> Tape measure | <input type="checkbox"/> Angle Grinder |
| <input type="checkbox"/> Square | <input type="checkbox"/> Drill/driver |
| <input type="checkbox"/> Shovel | <input type="checkbox"/> Post hole digger |
| <input type="checkbox"/> Line marking paint | <input type="checkbox"/> Circular saw |
| <input type="checkbox"/> String line | |
| <input type="checkbox"/> Spirit or laser-level | |
| <input type="checkbox"/> Hex drive bit | |

Make sure you choose the right tools before you start your fence.

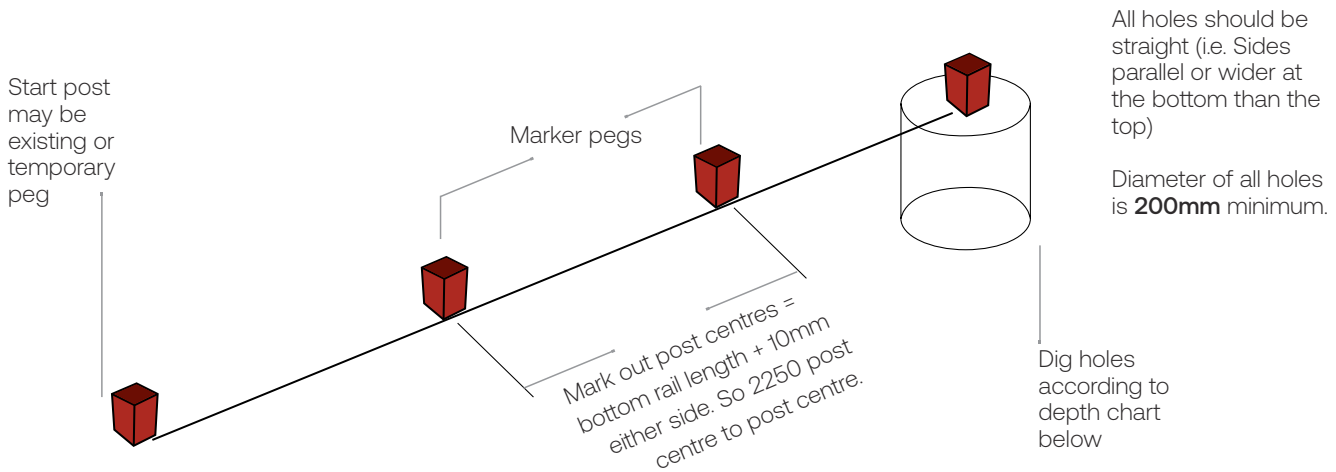
It is recommended that the reader pays particular attention to those items identified as IMPORTANT in this manual to ensure satisfactory long-term performance.

Safety Gear minimum required

- Safety boots
- Gloves
- Helmet
- Eye protection
- Hearing protection
- Sun protection

Post Installation

Step 1 | Mark out your post holes



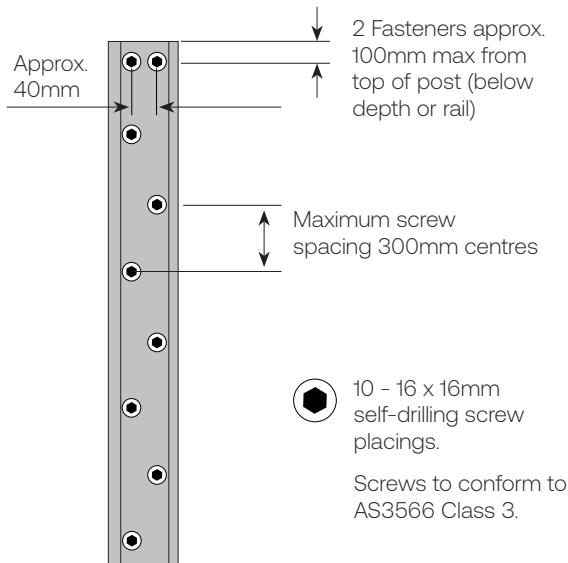
Important:
 Vertical Design - 2250 max post centre
 Horizontal Design - 1830 max post centre
 refer to pages 6 & 7 for technical drawings.

Post lengths required will increase accordingly to cater for these ground conditions.

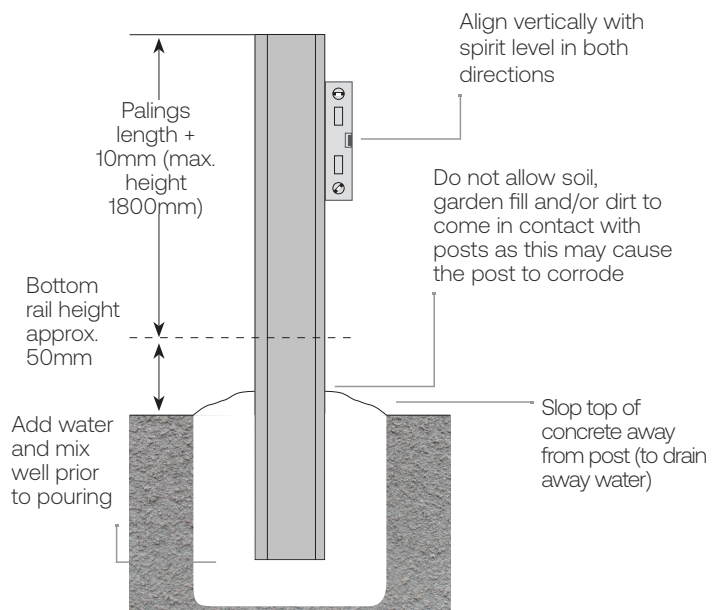
Soil Type	Minimum Hole Depth	Approximate Concrete Required
Rock	300mm	1 bag per hole (20Kg bag)
Clay/Firm Earth	600mm	2 bag per hole (20Kg bags)
Sand/Loose Fill	900mm	3 bag per hole (20Kg bags)

Step 2 | Securing Posts

a. Fastening posts together



b. Fixing post in ground



Important:
 If it isn't possible to fix posts as proposed here, please contact us for further information

- Place first post in hole
- Adjust to correct height
- Support post with temporary brace
- Fill hole with fully mixed, wet concrete
- Vibrate and compact the concrete to remove voids.

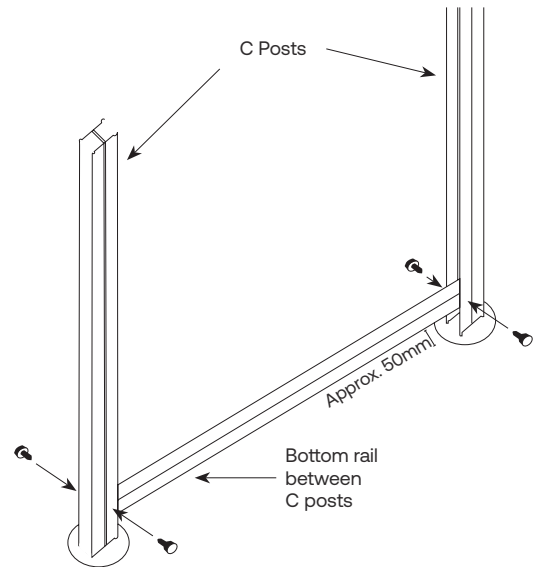
Step 3 | Installing Rails | Installing Palings

a. Bottom Rail

- Insert bottom rail between posts.
- Adjust bottom rail to correct height - it is important to maintain a minimum gap of 50mm between bottom of rail and ground.
- Screw fix the bottom rail at this stage.

NOTE

SmartWall Vertical fence system is supplied with a Rail Support and this is to be inserted inside the bottom rail prior to it being installed.



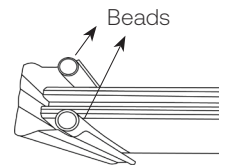
b. Palings

For SmartWall Vertical

- Slide the first paling into the bottom rail with the groove in end of paling to the bottom.
- Ensure a 15mm gap is between the edge of paling and the inside face of the post and push down firmly into the bottom rail. A rubber mallet can be used if required.
- Continue to insert all palings, ensuring the tongue and groove joint is in place correctly.
- Once all palings are installed it is time to fit your top rail.

For SmartWall Horizontal

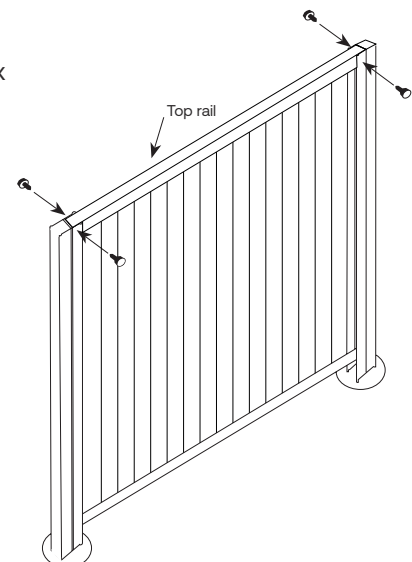
- Slide the first paling into the bottom rail with the tongue in edge of paling to the top.
- Ensure a 15mm gap is between the end of paling and the inside face of the post and push down firmly into the bottom rail. A rubber mallet can be used if required.
- Continue to insert all palings, ensuring the tongue and groove joints are in place correctly.
- Once all palings are installed it is time to insert the beads into the posts by feeding down both beads on each side of the post at the same time.



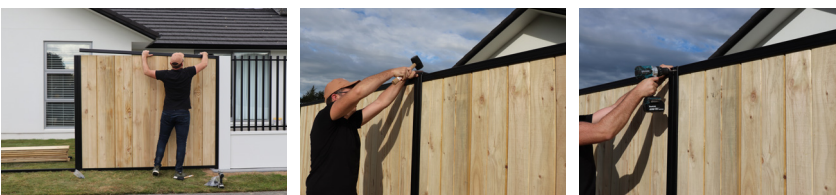
Note: the half-palings with a groove to be installed at top of panel and half-paling with a tongue to be installed at bottom of panel.

c. Top Rail

- Place over the top of the palings, and tap down into the C post. Once in place, fix both sides of the rail to the C post using the tech screws provided. The top of the rail should be 15mm from the top of the post.



d. Check Installation



Step 4 | Installing post caps

All ColourPanel™ caps are supplied as a ‘double’ cap, which are designed to be snapped in half to create two single caps where required. Please note, only black double caps are available.

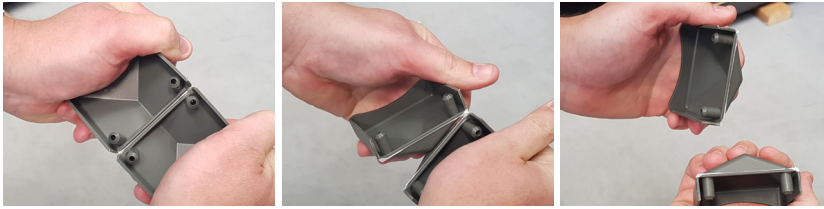
1



Cut each side of the cap in line with the centre ridge. Use end-nippers – do not use a knife as this is dangerous and difficult to achieve a straight cut.

Ensure the ‘nose’ of the end nippers is pushed all the way in before cutting.

2



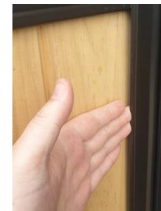
Bend the cap along the centre ridge to snap it, and pull apart to create two single caps.

Notes:

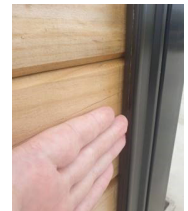
If the cap is not a tight fit, place a small amount of silicone up inside the cap to secure it. Make sure the silicone is a small bead on the inside corner of the sides only. Also ensure you keep the correct distance from the top of the post to the top of the rail (see page 6)

SmartWall in Playcentres or Schools

When you are installing a vertical paling design in a playcentre or school, or any other area that needs to be ‘child-safe’ – we recommend that include the TVB1617-BK vertical bead to close the gap between the post and the paling where this could potentially be a trap for children’s fingers.



Without TVB1617-BK



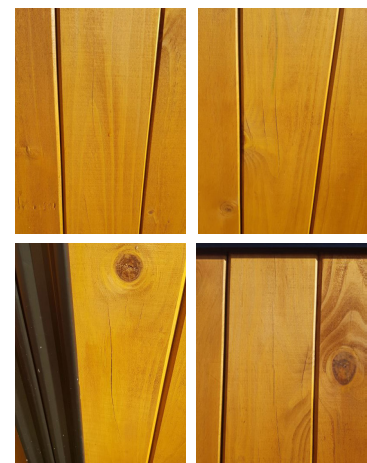
With TVB1617-BK

Surface Checking

Timber is a natural product and no two pieces are the same. After installation and when the timber has been exposed to the sun, wind and/or rain, the occurrence of ‘checking’ (or small splits) on the surface of the paling is a normal and natural releasing of tension in the timber.

A common timber fence with individual palings will react by warping and twisting, and the overall appearance of will continually look worse as it degrades over time. However, the SmartWall paling is ‘laminated’ (several pieces glued together) which provides structural integrity and will ensure your fence remains straight and strong for many years.

A laminated paling has an increased potential for ‘checking’ due to the boards being glued together and their inability to move independently, however, this is a good trade-off for a stable fence that will stay straight and be overall more aesthetically pleasing for the duration of its life.



‘Checking’ in palings – a normal and natural releasing of tension in the timber

Maintenance and Warranty of your fence

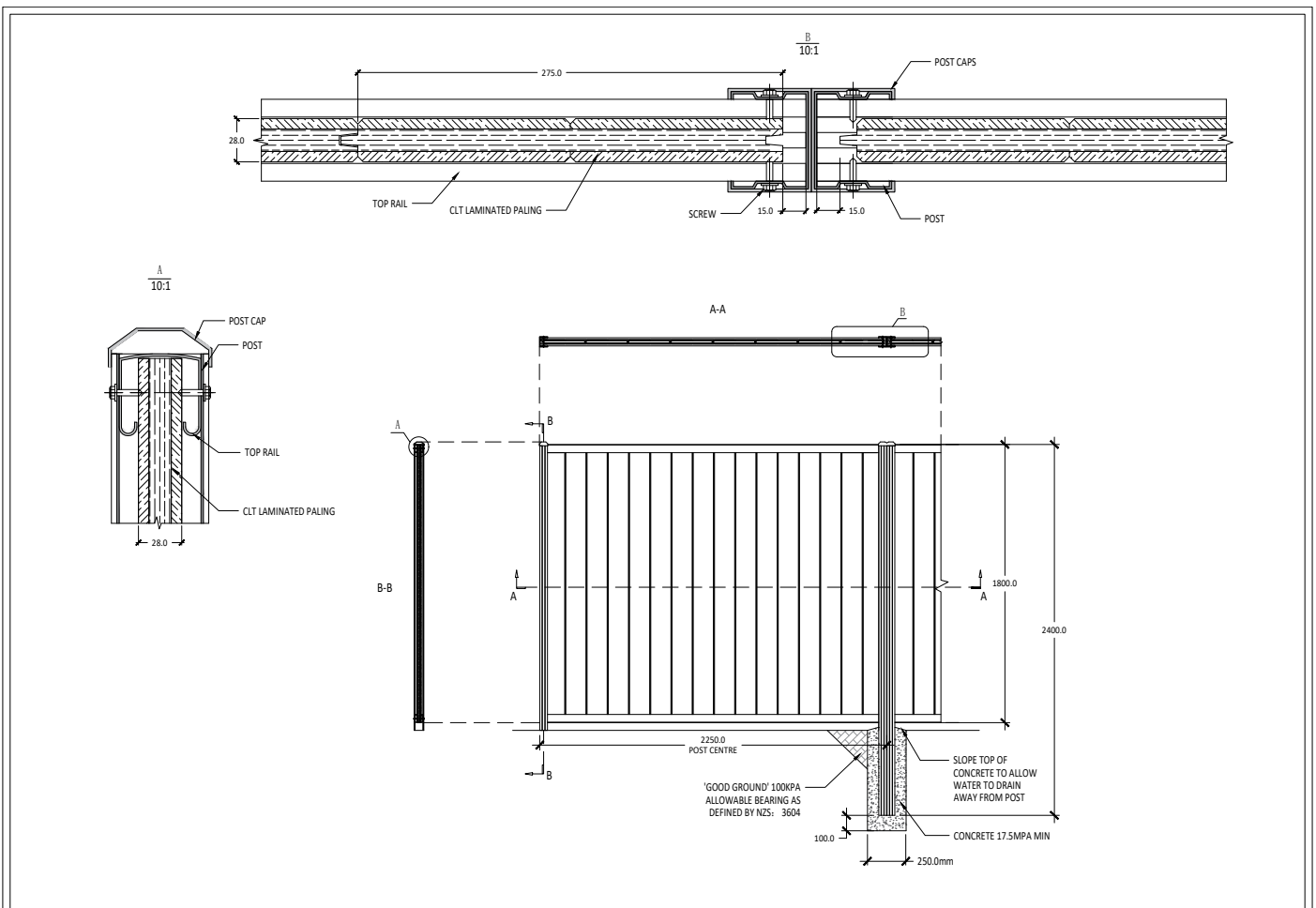
1. To keep your fence looking its best, a soft broom down every few months should be sufficient to remove any cobwebs. Pay particular attention to the area under the top rail, which is sheltered from natural washing by rain.
2. DO NOT build up soil, garden fill and/or dirt against the bottom rails and posts of your fence as this will retain water and lead to corrosion.
3. DO NOT use your fence as a retaining wall, as it is not designed for this purpose.
4. Adequate drainage is needed to ensure that water does not pond in the bottom rail and to assist in the removal of debris. This is achieved by ensuring there is a clearance between ends of the bottom rail and the inside of the posts.

5. DO NOT use touch up paint. Minor scratches should be left alone, or the post/rail replaced. Touch up paint will weather differently than the original steel coating. A small touch up brush can be supplied for any small scratches.
6. Fencing is backed by a 10-year warranty* under the following conditions:
 - Installation > 1km from Marine or Industrial environment
 - Fence is installed to manufactures guidelines
 - Fence is maintained regularly in accordance with suggestions made by Boundaryline.

There is no warranty on the timber components due to being a natural product.

Technical Drawings

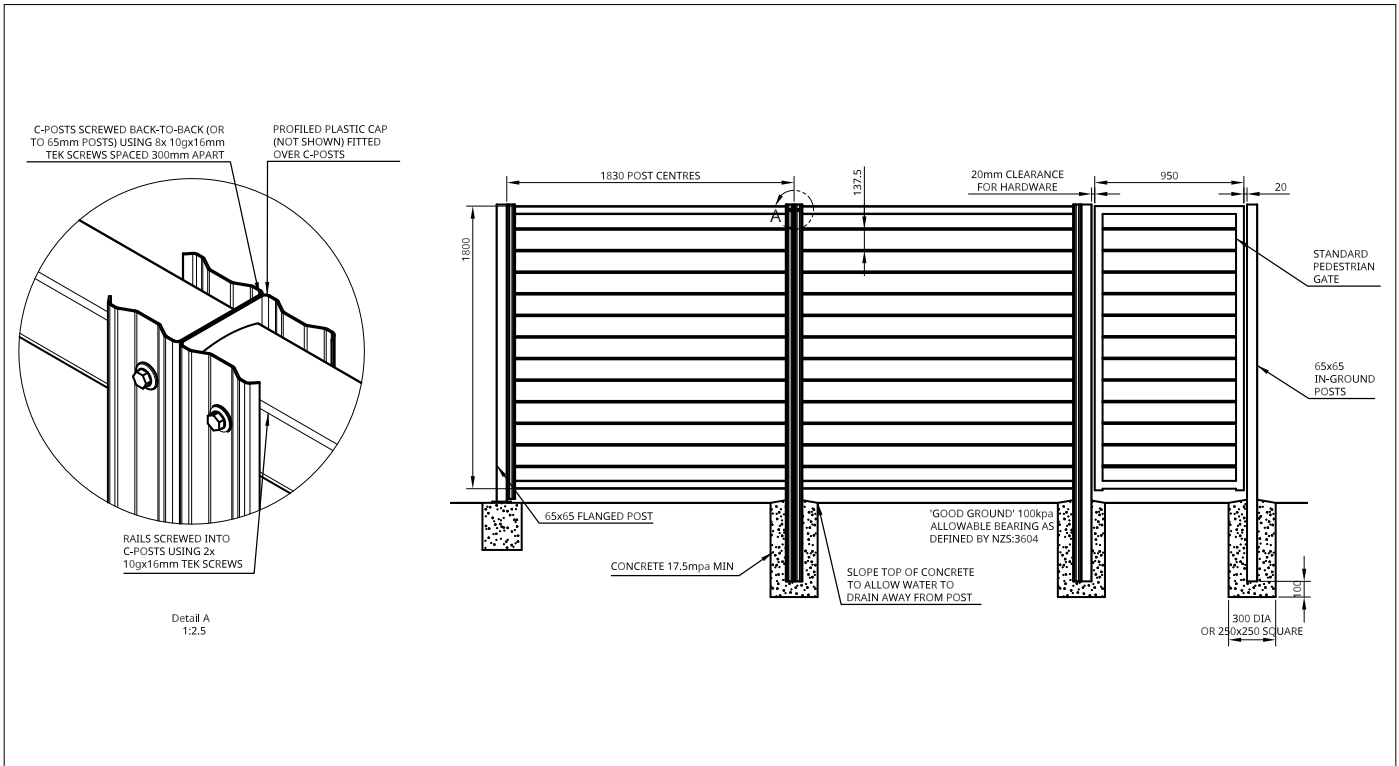
Smartwall Vertical



<p>TERENOTA LTD. P.O. Box 1703 Invercargill 9103 Telephone: 0800 003 006 Email: enquiries@boundaryline.co.nz Website: www.boundaryline.co.nz</p>	MODEL SMARTWALL 1800 VERTICAL					Issue Date 18-04-2019	Scale 1:16
	Patent Pending NZ Pat. App. 745289/753226						Unless Otherwise specified All units in Millimeters Unless Stipulated in 2D Drawings All Rights Reserved © 2019 Boundaryline

Technical Drawings

Smartwall Horizontal



<p>Terranota Ltd. P.O. Box 1703 Invercargill 1703 Telephone: 0800 003 006 Fax: 03 215 6249 Email: enquiries@boundaryline.co.nz Website: www.boundaryline.co.nz</p> <p>© Copyright June 2017. All rights reserved to Terranota Ltd.</p>				Model			
				SmartWall Horizontal 1800mm			
SIZE	DATE ISSUED	REV.	DO NOT SCALE DRAWING	Rail Profile	50mm Roll-formed Steel ColourSlat Rail	Bracket Fixing	N/A
A4	2020-06-15			C-Post Profile	65x50mm Roll-formed Steel ColourSlat C-Post	Post Caps	External Plastic Profiled Caps
SCALE	1:32	SHEET	1 of 1	Panel Length	2250mm wide x 1800mm high	Standard Gate Hardware	Unsprung hinge, with Key-Lockable Latch
		WEIGHT		Flanged Post	65x65x1900mm Galv Steel (125mm Square flange) M12 fixings	Child Safety Gate Hardware	Self-closing hinges, with Magnetic Top-Pull Latch
UNLESS OTHERWISE SPECIFIED, DIMENSIONS ARE IN MILLIMETERS				In-ground Post	65x65x2500mm Galv Steel		

SmartWall Fencing is designed to withstand most wind conditions. The wind on the fence at your site will depend on a number of factors, including the number of surrounding properties and how exposed the location is.

If your property is exposed to higher wind speeds, please contact us for further advice/recommendations.

Also, if in proximity to severe marine conditions or bounding swimming pools, please seek specific advice from Boundaryline.

Contact Boundaryline Fencing

0800 003 006

boundaryline.co.nz

This document is only intended to be a general guide, as every property & situation is different. Any installation work, including the use of power equipment is completely the responsibility of the person(s) installing. All persons using power equipment must be trained & certified to use the equipment & must wear all applicable personal protection gear. Terranota Ltd cannot accept any responsibility for any faulty installation or damage or injury arising from installation work.