

Sky Tunnel



**7 YEAR
WARRANTY**

457mm TUBULAR SKYLIGHT

- ✓ **UTILISE RENEWABLE ENERGY**
- ✓ **EXCEPTIONAL QUALITY**
- ✓ **REDUCE POWER COSTS**
- ✓ **IDEAL FOR A HOME OR OFFICE**
- ✓ **EASY INSTALLATION**
- ✓ **SUITABLE FOR TILE & STEEL ROOFS**



The Sky Tunnel 457 is ideal for light commercial or large residential homes. It is an energy saving alternative to bringing light into your home or office. Easily installed, the Sky Tunnel has a 2m flexi-tube that enables it to be installed into almost any ceiling space.

The Sky Tunnel has a 457mm diameter Acrylic dome. The Acrylic is impact modified and UV stabilised with a visible light transmittance of 93%.

The Sky Tunnel can be installed onto almost any type of roof, including tile or profiled steel. The Sky Tunnel comes with everything you need for an easy installation.

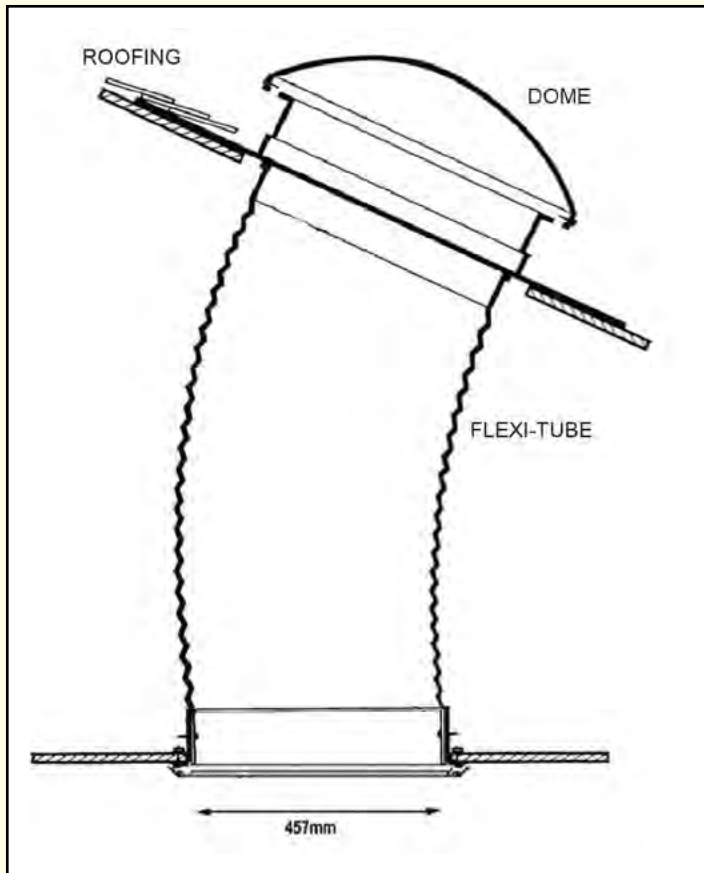
Installation of a Sky Tunnel™ a Flexi-tube™ is very easy as the flexibility allows the installation of the roof parts and ceiling parts to be off centre, so avoiding obstructions in the attic space is simple.

Installing a Sky Tunnel ensures that you are making an environmental choice and utilising renewable energy.

Natural daylight improves the internal working or living in the environment are happier and healthier.

You will not only be saving money, you will be helping reduce the consumption of our environments precious resources.

www.skytunnel.co.nz



COMPONENTS

- UV stabilised grade one acrylic dome
- Screws to fasten dome
- ASA Polymer vent/solid tabs
- ASA Polymer breather frame
- construction grade polyurethane seal
- 0.55mm corrosion resistant steel soaker tray
- White ABS thermoplastic locking ring
- White ABS thermoplastic ceiling frame
- 3mm textured acrylic diffusers
- White ABS thermoplastic diffuser holder
- Screws to fasten flexi-tube locking ring to ceiling
- Screws to fasten ceiling frame - lock lug/cover cap included
- Magnet
- 3mm x 6mm foam seal
- 0.45mm 430BA stainless steel reflective ring
- PVC duct tape
- 2m Flexi-Tube™

FLEXI-TUBE™ DUCTING SYSTEM

Flexi-tube™ suits most applications up to 2m in length. Installation of Flexi-tube™ is very easy, and the performance is outstanding.

Flexibility allows the installation of the roof parts and ceiling parts to be off centre, so avoiding any obstructions in the attic space is simple.

With up to 86% reflectivity, Flexi-tube™ is a cost effective and reliable component in the Sky Tunnel™ Kit.

Warranty Terms and Conditions Apply.

Your approved reseller is:

Distributed in New Zealand by:


ALSYNITE®

www.alsynite.co.nz

0800 257 964