

Spinaway®

Rotary Roof Ventilators



300mm

RESIDENTIAL VENTILATOR

The Spinaway 300 is constructed from high grade aluminium with a dual heavy duty bearing system and stainless steel shaft. It is suitable for installing on almost any type of roof with a pitch of up to 45°.

HOW DOES THE SPINAWAY 300 WORK?

EFFICIENTLY REMOVES HEAT AND MOISTURE FROM YOUR ROOF SPACE.



WINTER

The Spinaway expels the moisture in the roof space. Without the Spinaway, the moisture would be trapped in the roof space causing mildew, mould and damp insulation.



SUMMER

The Spinaway expels heat from the roof space. Without the Spinaway, the heat in the roof space passes through the ceiling and into the house.



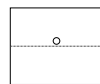
- ✓ Powder Coating Available
- ✓ Tested against rain leakage
- ✓ Tested against high winds

RECOMMENDED QUANTITY

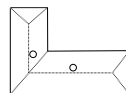
Install the Spinaway 300 on the rear section of your roof.



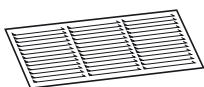
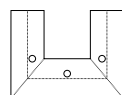
90 - 110m² House
= 1 Spinaway 300 Vent



160 - 180m² House
= 2 Spinaway 300 Vents



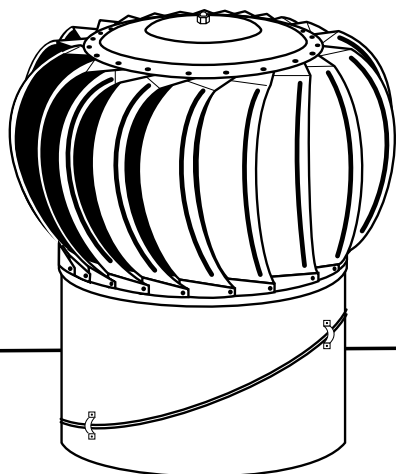
220 - 270m² House
= 3 Spinaway 300 Vents



For ventilation in your roof space to be effective, it is essential that there is access to fresh external air. This can be achieved by installing at least four under eave vents for each vent installed.

Spinaway®

Rotary Roof Ventilators



500mm LIGHT COMMERCIAL TURBINE VENTILATOR

The Spinaway 500 is constructed from high grade aluminium with a dual heavy duty bearing system and stainless steel shaft. It is suitable for installing on almost any type of roof with a pitch of up to 45°.

**EFFICIENTLY REMOVES
HEAT AND MOISTURE FROM
YOUR ROOF SPACE.**

HOW DOES THE SPINAWAY 500 WORK?



WINTER

The Spinaway expels the moisture in the roof space. Without the Spinaway, the moisture would be trapped in the roof space causing mildew, mould and damp insulation.



SUMMER

The Spinaway expels heat from the roof space. Without the Spinaway, the heat in the roof space passes through the ceiling and into the house.

RECOMMENDED QUANTITY

Install the Spinaway 500 on the rear section of your roof.



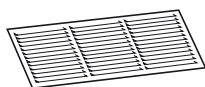
750m² Building
= 4 Spinaway 500 Vents



1500m² Building
= 12 Spinaway 500 Vents



2500m² Building
= 20 Spinaway 500 Vents



For ventilation in your roof space to be effective, it is essential that there is access to fresh external air.

- ✓ **Powder Coating Available**
- ✓ **Tested against rain leakage**
- ✓ **Tested against high winds**