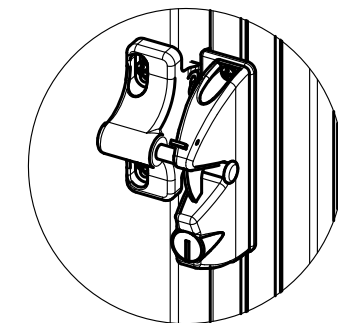


TRU-CLOSE HEAVY DUTY
HINGES ON PED GATE
1:4

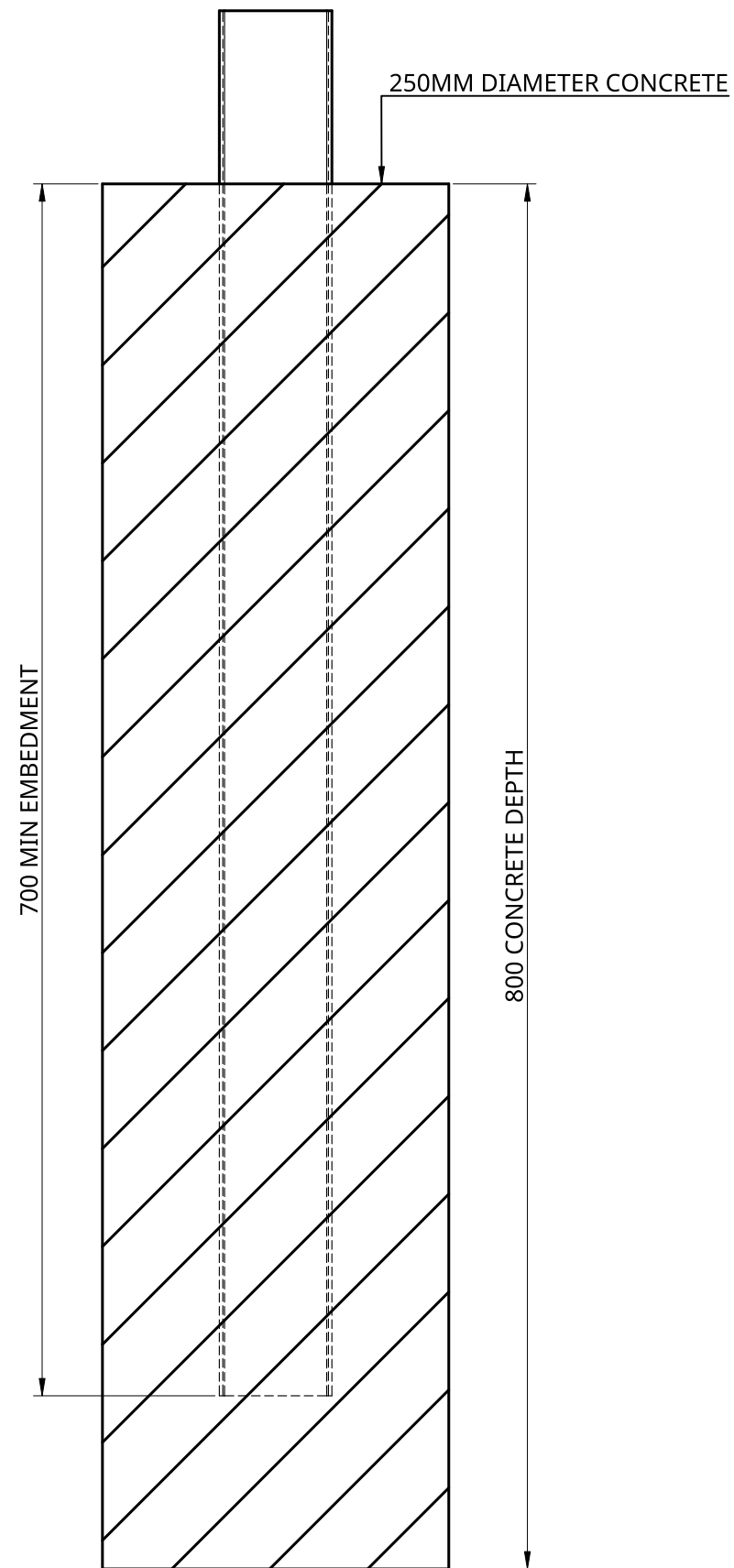


LOKKLATCH ON PED GATE
1:4

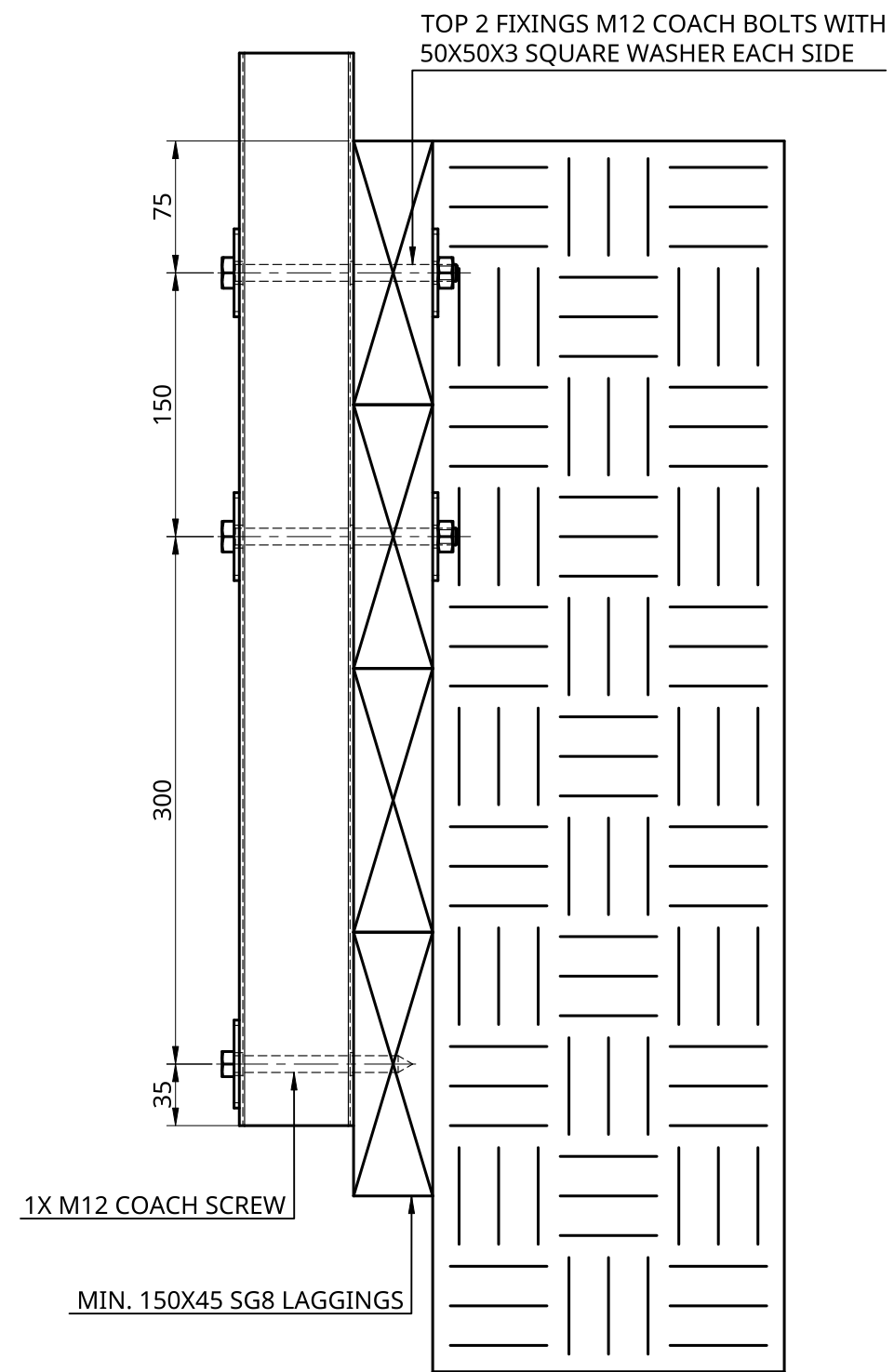
| PANEL CODE | DESCRIPTION | BRACKET CODE | HEIGHT | WIDTH | PANEL RAKE | HORIZONTALS | VERTICALS | TUBE SPACINGS |
|------------|----------------------------|--------------|--------|-------|------------|---------------|-----------|---------------|
| SFP-2000G | STABIFENCE PANEL | N/A | 2040 | 1810 | N/A | STABIWOOD TGV | N/A | N/A |
| SFPGF/2012 | STABIFENCE PEDESTRIAN GATE | N/A | 2000 | 1200 | N/A | STABIWOOD TGV | N/A | N/A |



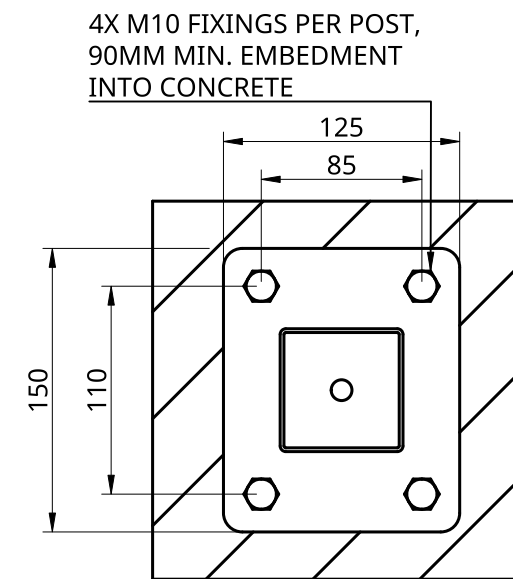
| | | | |
|--------------|------------|-----------|--------|
| SIZE: | A3 | SCALE: | 1:25 |
| DRAWING NO: | SF20 - SS | REVISION: | 01 |
| DATE ISSUED: | 2023-04-20 | SHEET: | 1 OF 2 |



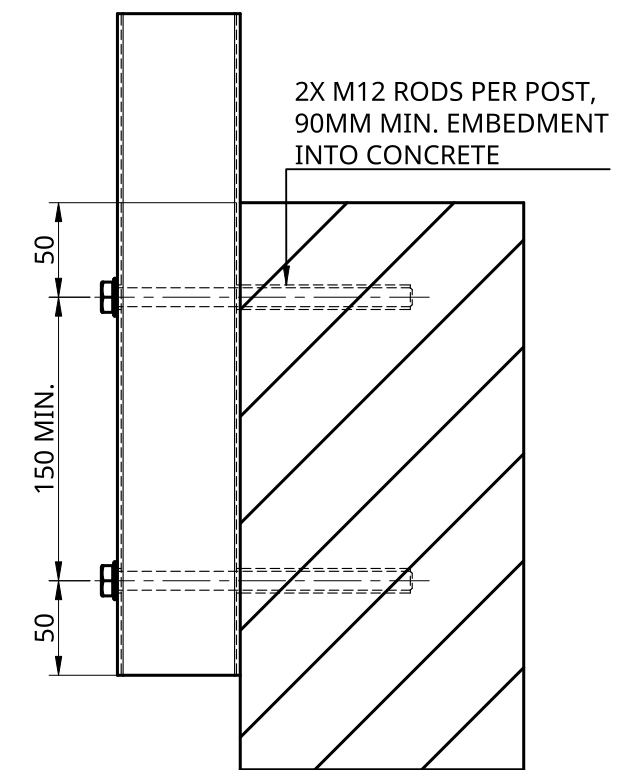
IN GROUND POST CONNECTION



SIDE FIX TO TIMBER RETAINING WALL CONNECTION



BASEPLATED POST CONNECTION



SIDE FIX TO CONCRETE CONNECTION



| | | | |
|--------------|------------|-----------|--------|
| SIZE: | A3 | SCALE: | 1:4 |
| DRAWING NO: | SF20 - SS | REVISION: | 01 |
| DATE ISSUED: | 2023-04-20 | SHEET: | 2 OF 2 |