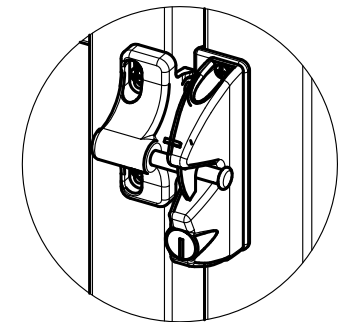
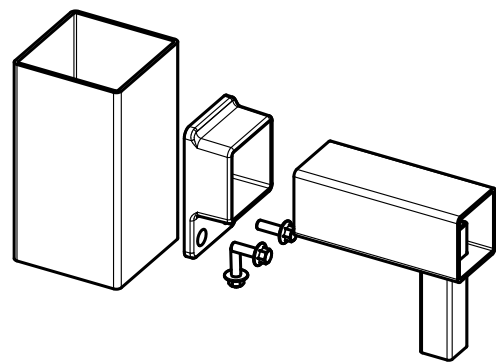


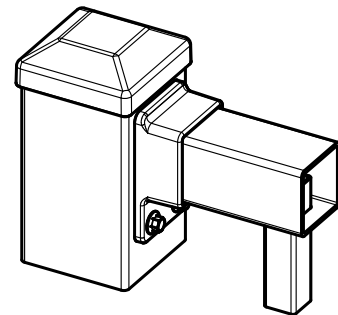
TRU-CLOSE HEAVY DUTY HINGES ON PED GATE
1:4



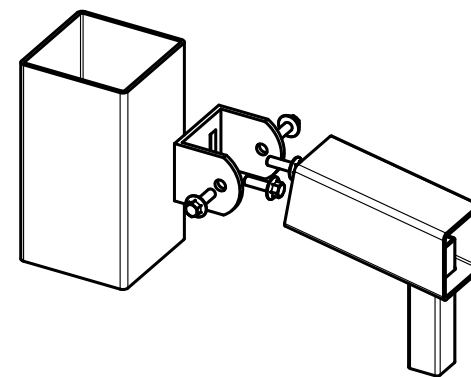
LOKKLATCH ON PED GATE
1:4



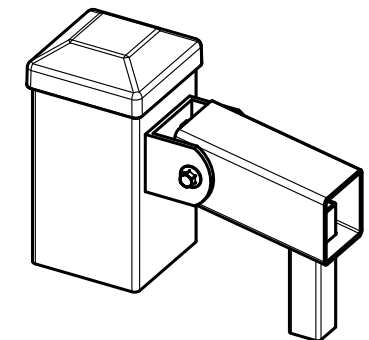
FIXED PANEL TO POST DETAIL
1:4



FIXED PANEL TO POST DETAIL
1:4



RAKING PANEL TO POST DETAIL
1:4

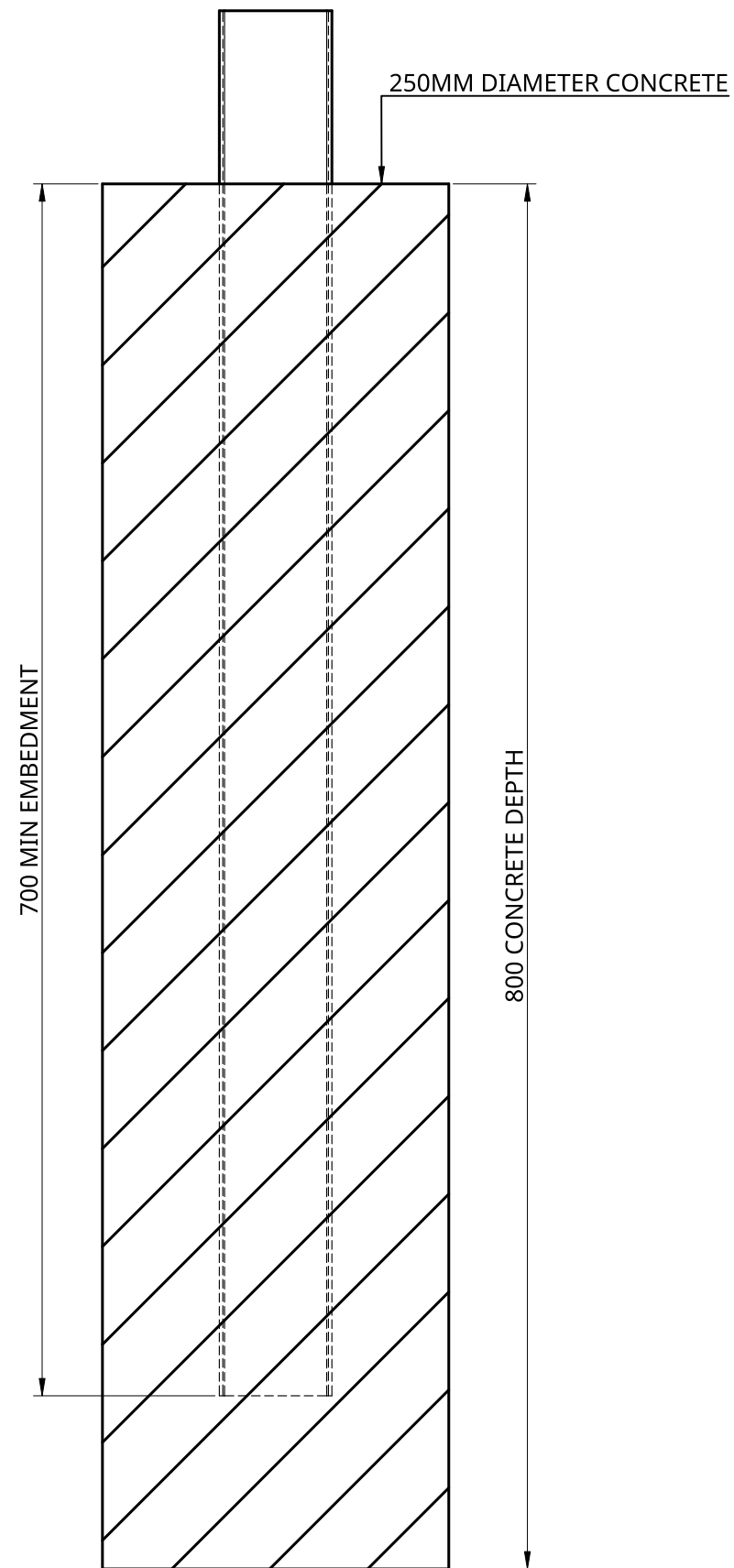


RAKING PANEL TO POST DETAIL
1:4

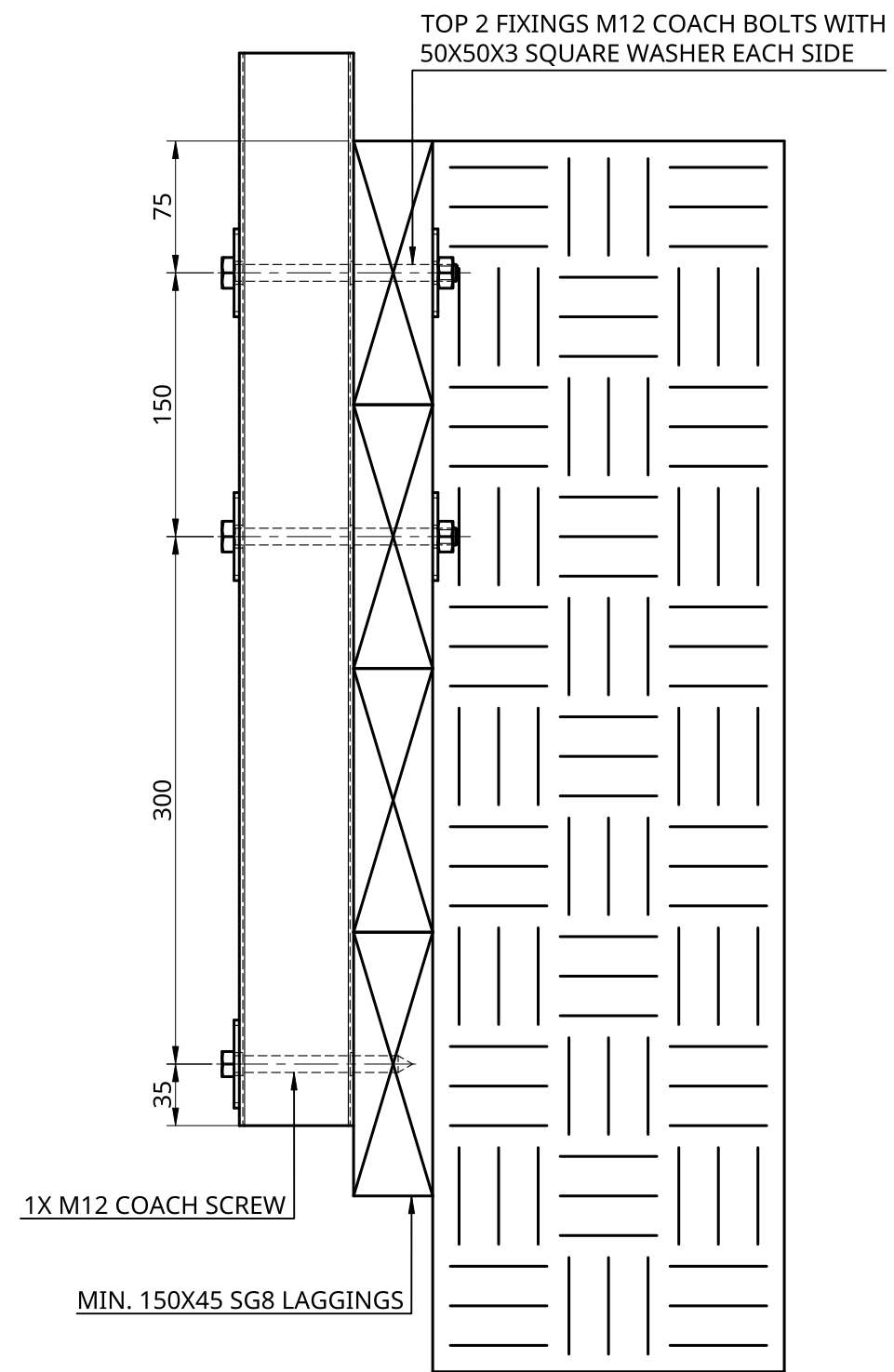
PANEL CODE	DESCRIPTION	BRACKET CODE	HEIGHT	WIDTH	PANEL RAKE	HORIZONTALS	VERTICALS	TUBE SPACINGS
UFSEC21	SECURA FENCE PANEL	HBKT40	2100	2350	N/A	40X40X2 SHS	25X25X1.4 SHS	100 (125 CENTRES)
UFSECR21	SECURA RAKING FENCE PANEL	HBKTR40	2100	2350	20 DEGREES	40X40X2 SHS	25X25X1.4 SHS	100 (125 CENTRES)
UPGSE/2112	SECURA PEDESTRIAN GATE	N/A	2100	1200	N/A	40X40X2 SHS	25X25X1.4 SHS	100 (125 CENTRES)



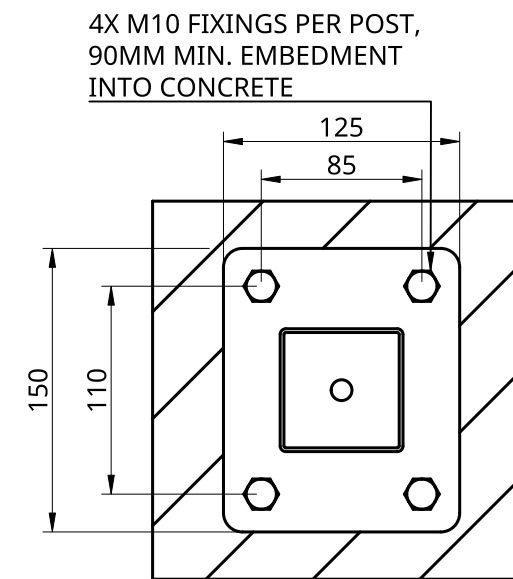
SIZE:	A3	SCALE:	1:25
DRAWING NO:	SEC21 - SS	REVISION:	01
DATE ISSUED:	2023-04-20	SHEET:	1 OF 2



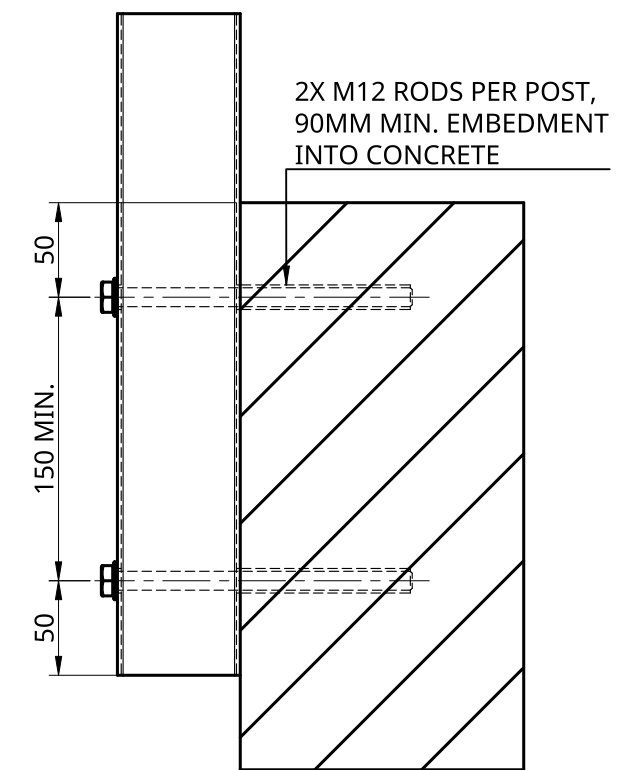
IN GROUND POST CONNECTION



SIDE FIX TO TIMBER RETAINING WALL CONNECTION



BASEPLATED POST CONNECTION



SIDE FIX TO CONCRETE CONNECTION



SIZE:	A3	SCALE:	1:4
DRAWING NO:	SEC21 - SS	REVISION:	01
DATE ISSUED:	2023-04-20	SHEET:	2 OF 2