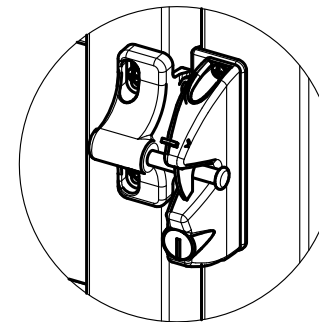
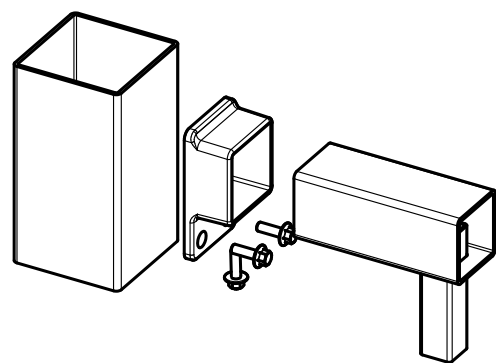


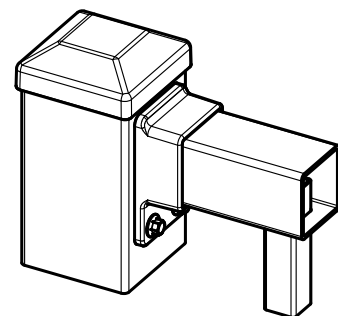
TRU-CLOSE HEAVY DUTY HINGES ON PED GATE  
1:4



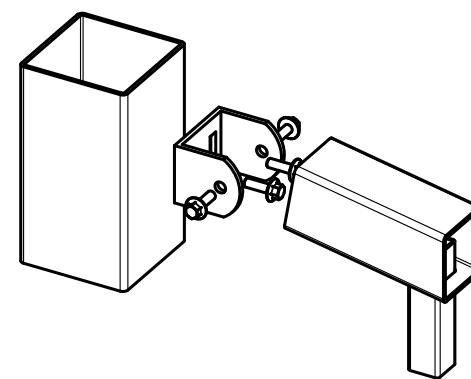
LOKKLATCH ON PED GATE  
1:4



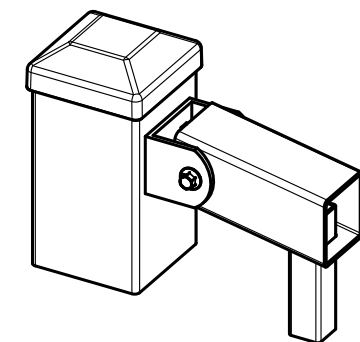
FIXED PANEL TO POST DETAIL  
1:4



FIXED PANEL TO POST DETAIL  
1:4



RAKING PANEL TO POST DETAIL  
1:4

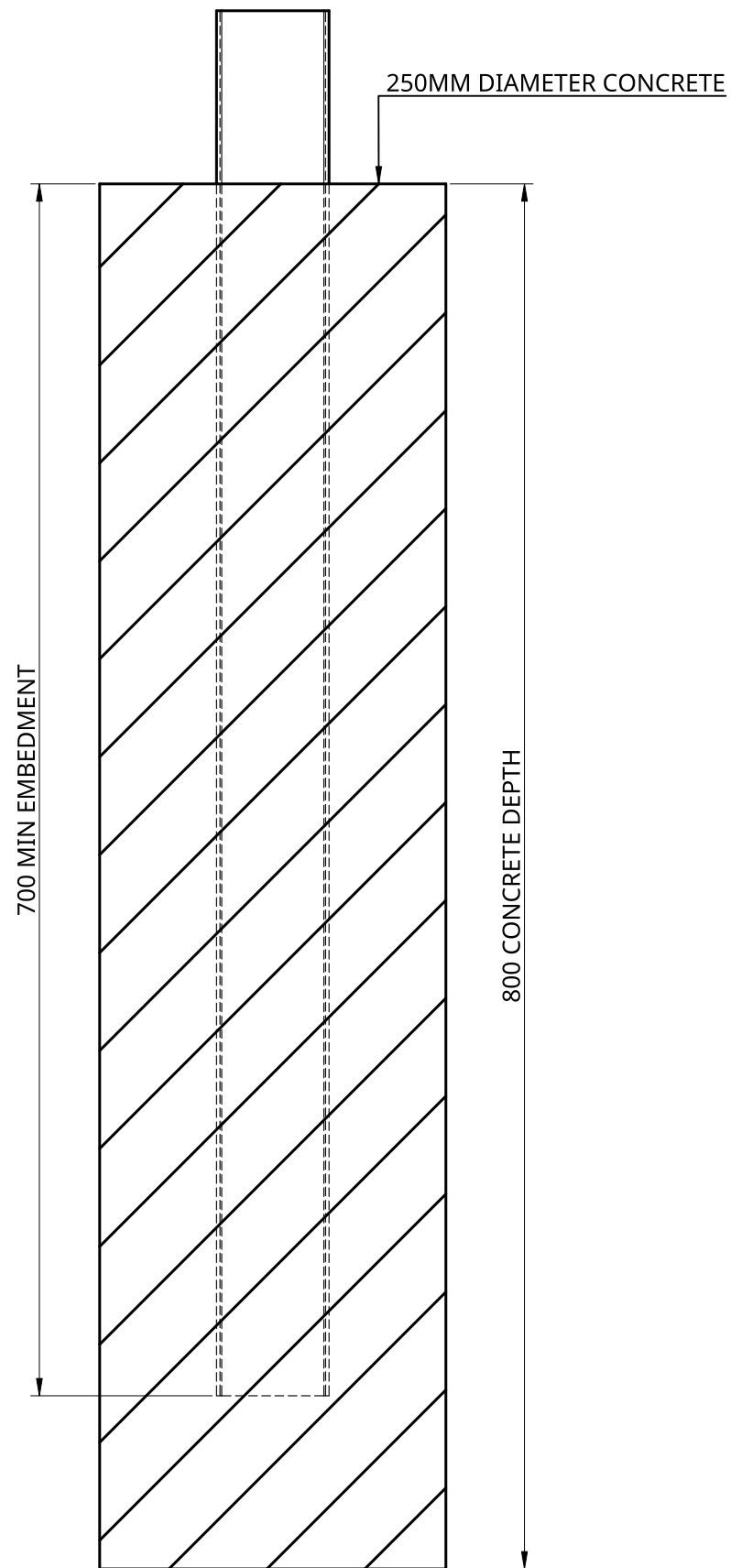


RAKING PANEL TO POST DETAIL  
1:4

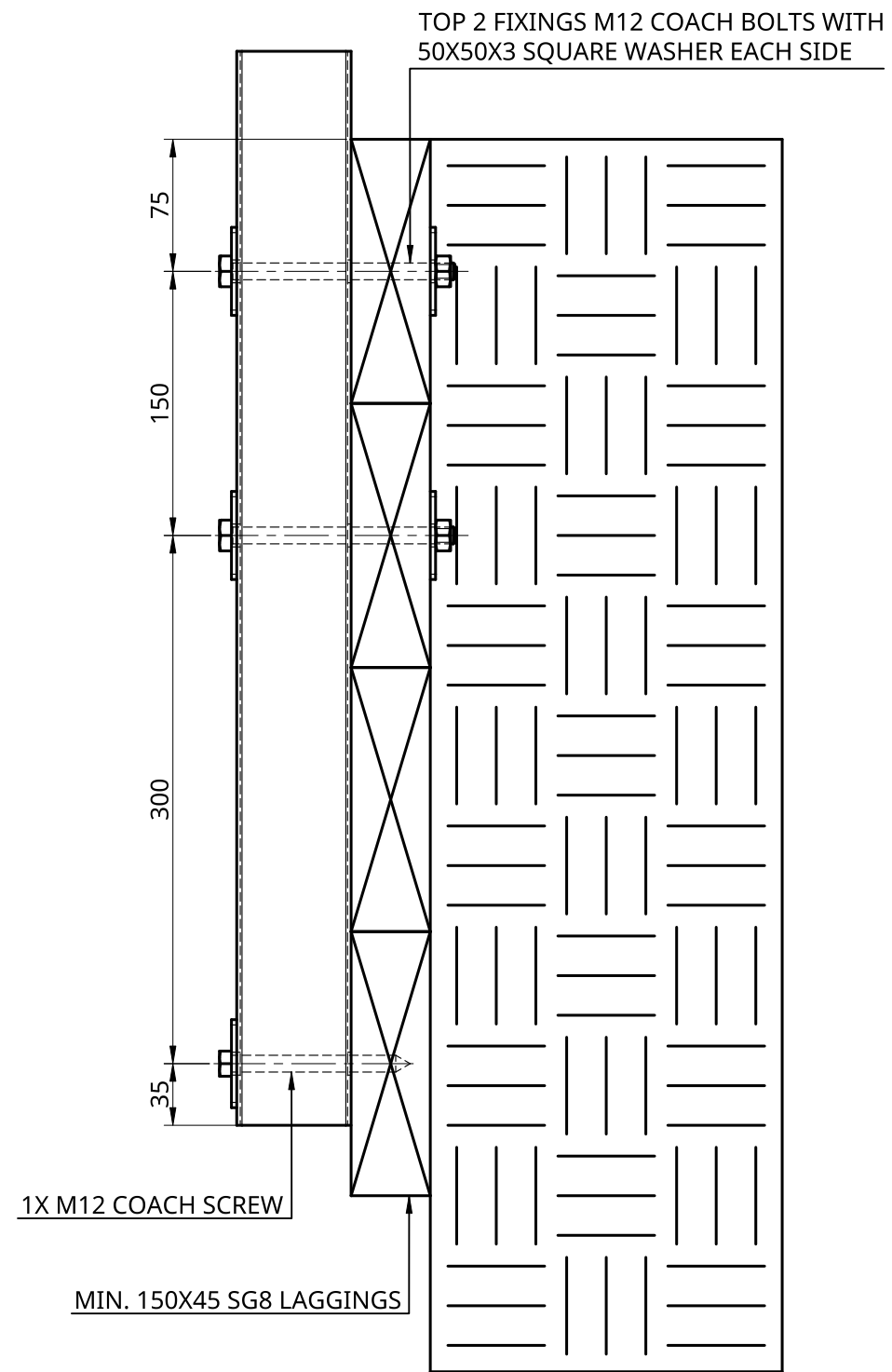
PANEL CODE	DESCRIPTION	BRACKET CODE	HEIGHT	WIDTH	PANEL RAKE	HORIZONTALS	VERTICALS	TUBE SPACINGS
UFSEC18	SECURA FENCE PANEL	HBKT40	1800	2350	N/A	40X40X2 SHS	25X25X1.4 SHS	100 (125 CENTRES)
UFSECR18	SECURA RAKING FENCE PANEL	HBKTR40	1800	2350	20 DEGREES	40X40X2 SHS	25X25X1.4 SHS	100 (125 CENTRES)
UPGSE/1812	SECURA PEDESTRIAN GATE	N/A	1800	1200	N/A	40X40X2 SHS	25X25X1.4 SHS	100 (125 CENTRES)



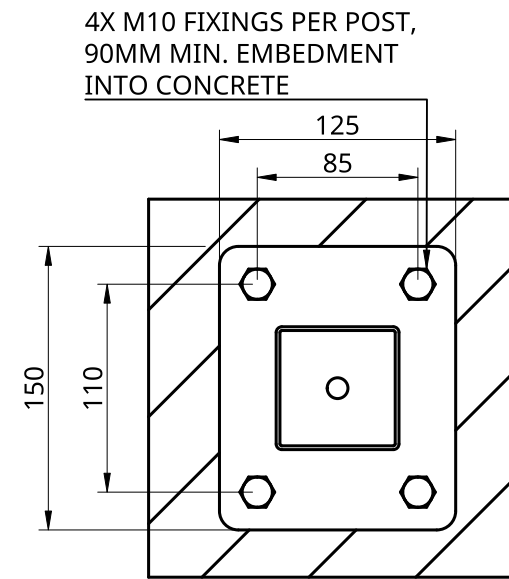
SIZE:	A3	SCALE:	1:25
DRAWING NO:	SEC18 - SS	REVISION:	01
DATE ISSUED:	2023-04-20	SHEET:	1 OF 2



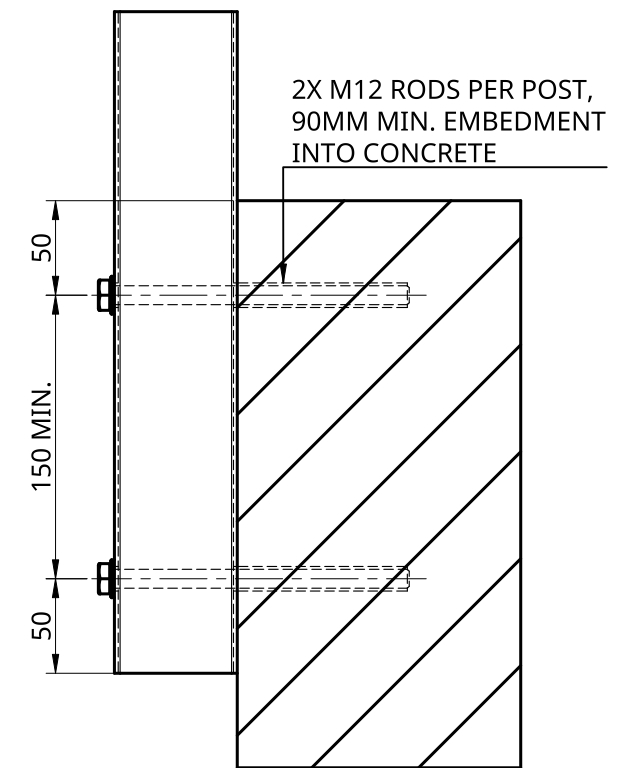
IN GROUND POST CONNECTION



SIDE FIX TO TIMBER RETAINING WALL CONNECTION



BASEPLATED POST CONNECTION



SIDE FIX TO CONCRETE CONNECTION