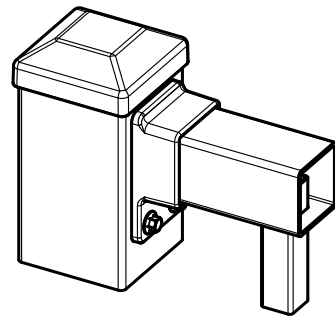
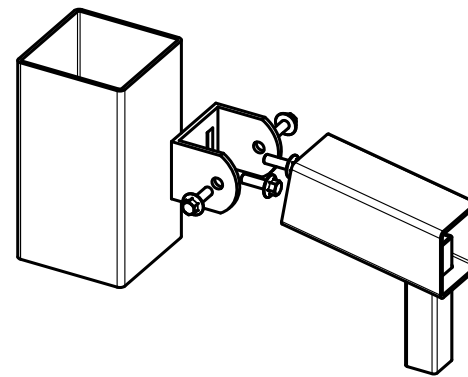


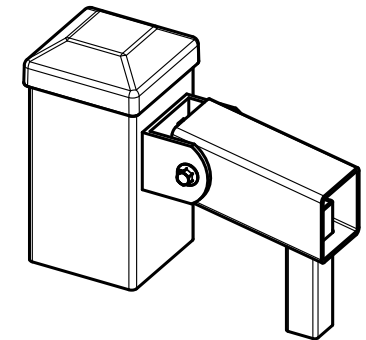
FIXED PANEL TO POST DETAIL  
1:4



FIXED PANEL TO POST DETAIL  
1:4



RAKING PANEL TO POST DETAIL  
1:4

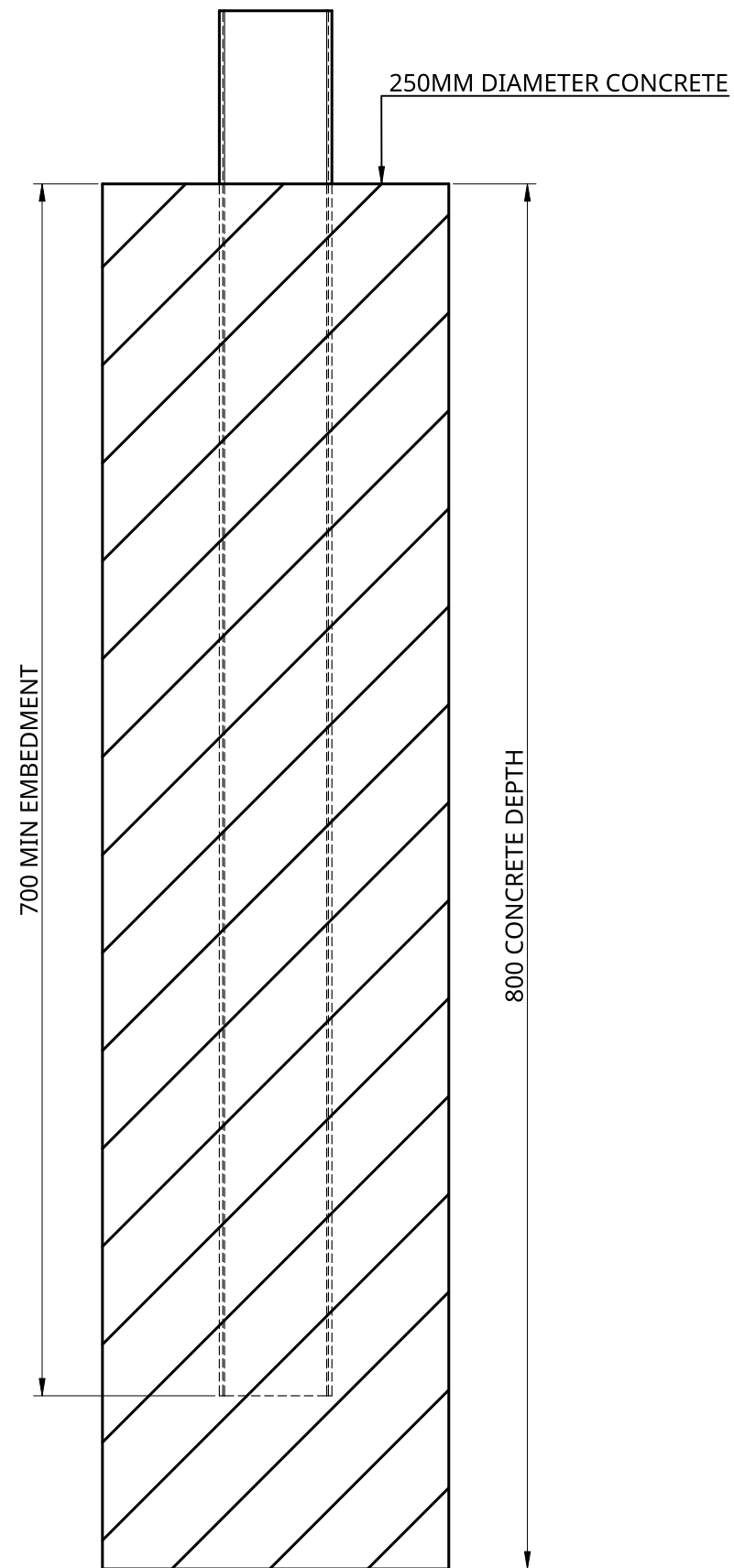


RAKING PANEL TO POST DETAIL  
1:4

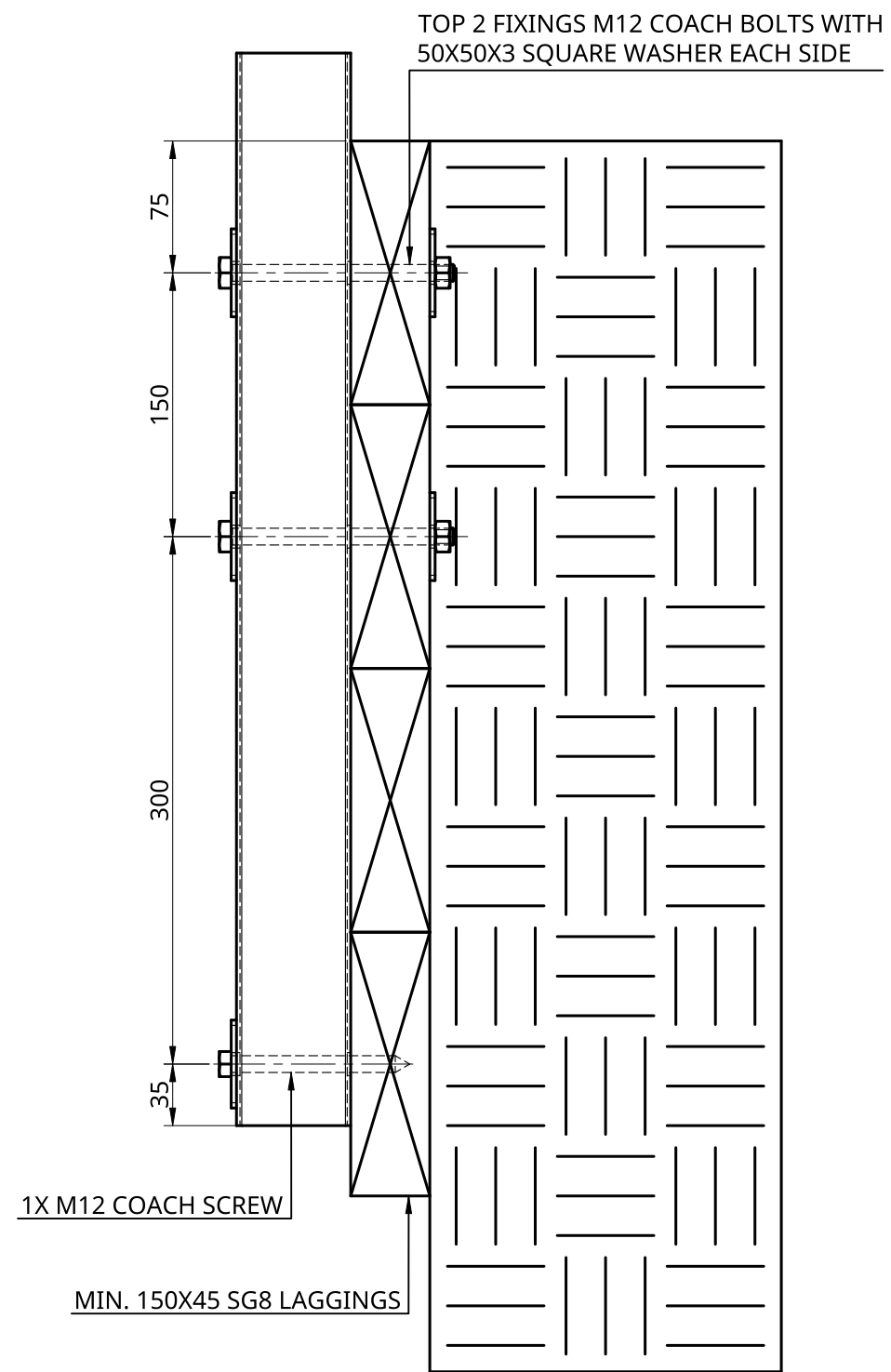
PANEL CODE	DESCRIPTION	BRACKET CODE	HEIGHT	WIDTH	PANEL RAKE	HORIZONTALS	VERTICALS	TUBE SPACINGS
UFMAX12	MAXIMUS FENCE PANEL	HBKT50/HBKT40	1200	2400	N/A	50X50X3 SHS 40X40X2 SHS	19X19X1.2 SHS	91 (110 CENTRES)
UFMAXR12	MAXIMUS RAKING FENCE PANEL	HBKTR50/HBKTR40	1200	2400	30 DEGREES	50X50X3 SHS 40X40X2 SHS	19X19X1.2 SHS	91 (110 CENTRES)



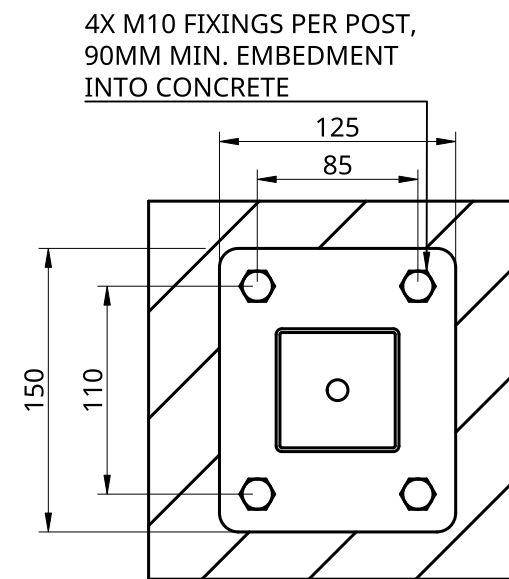
SIZE:	A3	SCALE:	1:25
DRAWING NO:	MAX12 - SS	REVISION:	01
DATE ISSUED:	2023-04-20	SHEET:	1 OF 2



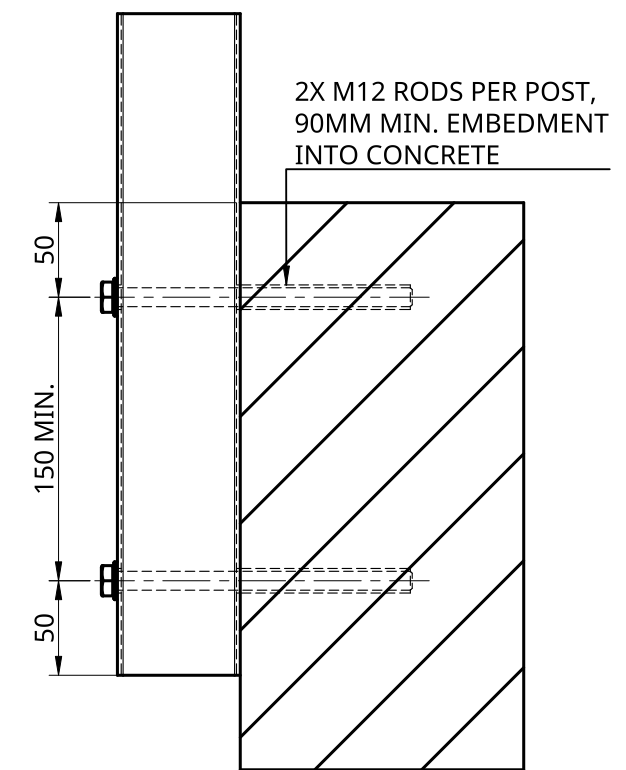
IN GROUND POST CONNECTION



SIDE FIX TO TIMBER RETAINING WALL CONNECTION



BASEPLATED POST CONNECTION



SIDE FIX TO CONCRETE CONNECTION



SIZE:	A3	SCALE:	1:4
DRAWING NO:	MAX12 - SS	REVISION:	01
DATE ISSUED:	2023-04-20	SHEET:	2 OF 2