

The Diesel Boiler made for New Zealand



1x

Allen Key



2x

Burner Settings



3x

Satisfied



Firebird boiler designed for New Zealand

Central Heating New Zealand is delighted to launch a new diesel boiler specifically designed for New Zealand conditions. Firebird have supplied Central Heating New Zealand with diesel boilers since we commenced business, over 17 years ago. During this time over 7000 boilers have been installed in the New Zealand market. Whilst we pride ourselves on the technical standards of the Firebird boiler we have always been keen to have a boiler suited specifically to New Zealand requirements, both aesthetically

and functionally. During Firebird's 2017 New Zealand visit they recognised our requirements, and so a collaboration commenced to design and build a diesel boiler for Kiwis.

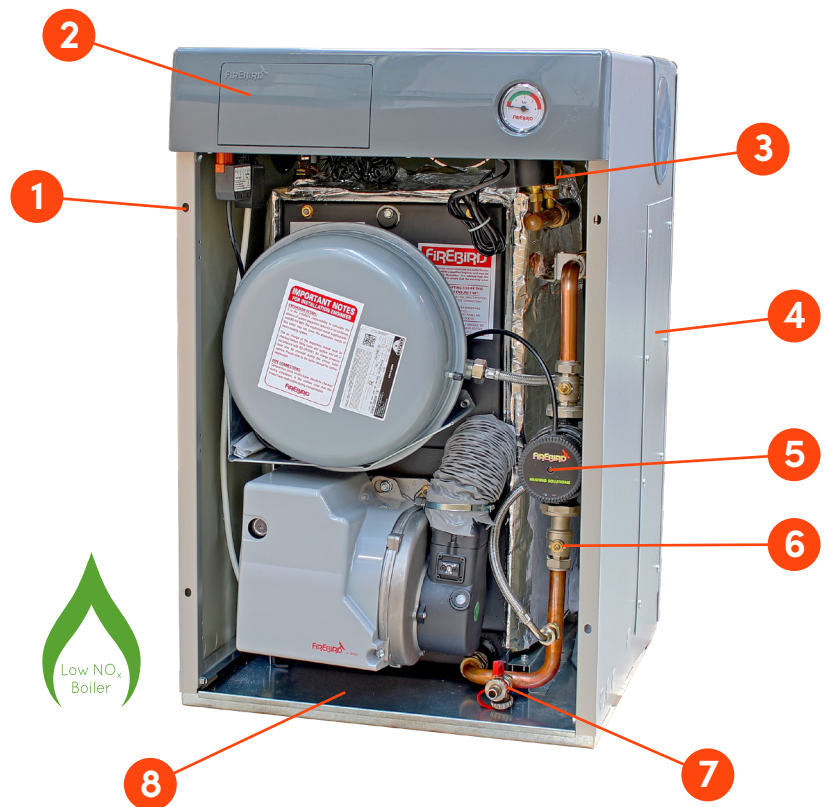
The result of this is a diesel boiler that is easy to install, commission and service, has a wider operating tolerance and is environmentally green (or should we say blue!). Firebird's New Zealand boiler covers our residential range of boilers from 20kW up to 35kW.



Indoor Boiler



Outdoor Boiler



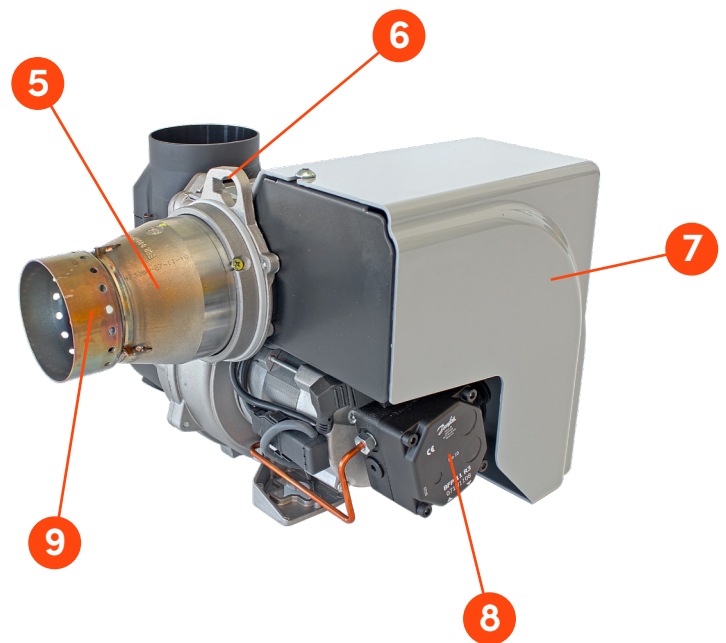
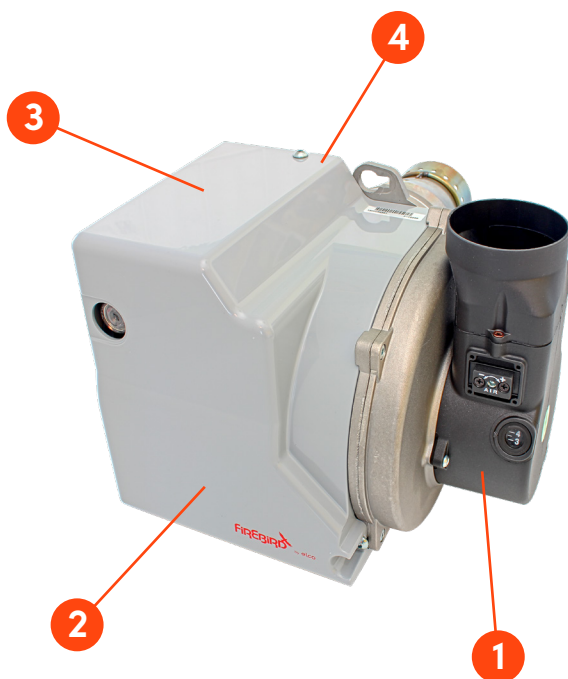
Key Components

- 1 Magnetic doors for ease of opening/closing
- 2 User interface with status lights
- 3 Serviceable air vent
- 4 User access panel for easy pipe connections
- 5 Firebird Lowara self-priming modulating pump
- 6 Robust pump valves
- 7 Easy fill point
- 8 Stainless steel condensate trap

Elco Blue Burner

As if this list of improvements isn't enough, the most exciting change is the launch of the Elco blue flame technology burner. Elco have manufactured burners in Italy for over 90 years and pride themselves on quality and innovation. Firebird and Elco partnered over 4 years ago and have launched a range of boilers/burners to the European market which exceed the EU's low NO_x legislations.

We decided to choose the Elco Blue Burner because of its technical superiority, wider operating tolerance and reliability. The plug and play burner requires only two adjustment settings of pump and air pressure. The patent diffuser head ensures optimum combustion which results in clean burner technology, whilst the analogue control box features post-purge run-on.

Background on NO_x

Nitrogen Oxides (NO_x) are created when fossil fuels are burnt. As part of the European Union's continuous environmental improvements, under the ErP directive, all oil boiler manufacturers had to lower the NO_x levels of their boilers by September 2018 to less than 120 mg/kWh.

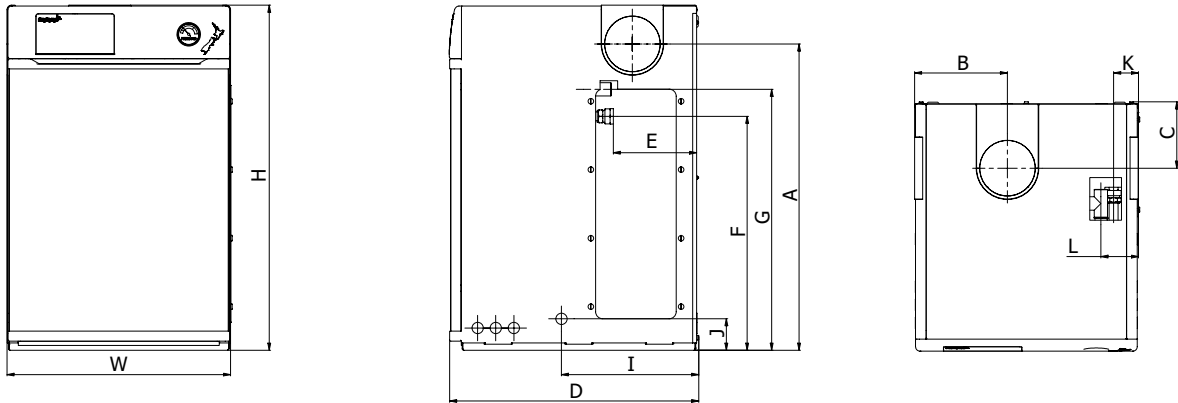
Key Components

- 1** Easy to adjust air settings
- 2** Streamline design
- 3** Low NO_x emissions
- 4** Robust photocell
- 5** Danfoss nozzles
- 6** Mounting frame for servicing
- 7** Fan run-on control box
- 8** Danfoss fuel pump (two stage)
- 9** Patent diffuser head

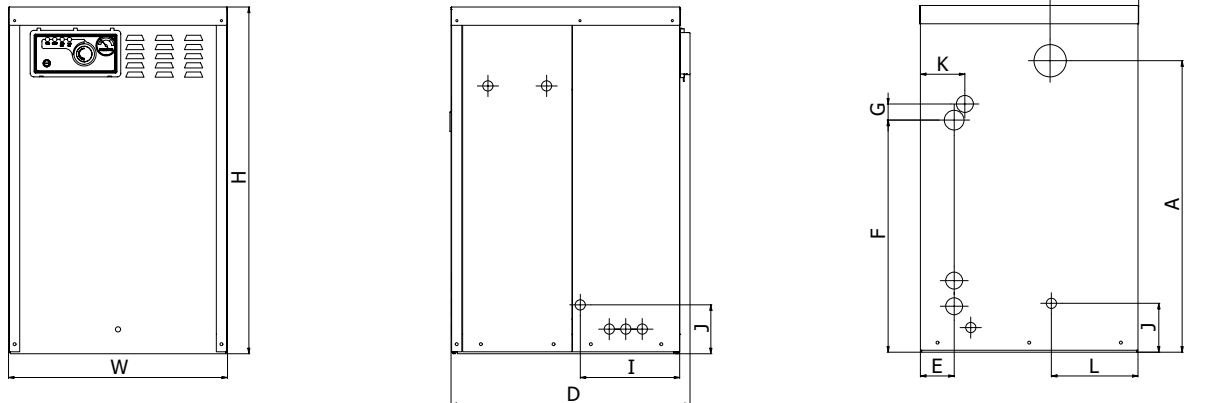
Technical Features & Flues

Boiler Model	Weight (kg)	Dimensions (mm)												
		H	W	D	A	B	C	E	F	G	I	J	K	L
Firebird NZ Standard 90	143													
Firebird NZ Standard 120	146													
Firebird NZ Condensing 26	148	856	555	618	760	231	165	210	580	648	341	78	62	93
Firebird NZ Condensing 35	151													
Firebird NZ Outdoor Condensing 26	160	945	597	651	795	242		92	633	44	271	133	121	236
Firebird NZ Outdoor Condensing 35														

Firebird NZ Standard/Condensing



Firebird NZ Outdoor Condensing



Flue Product Code	Description
FBFLHLLC	Horizontal low level flue kit
FBFLHLLCNZ	Horizontal low level flue kit (short)
FBFLHHL	High level horizontal flue kit
FBFLV	Vertical flue kit (3m)
FBFLHLL	Standard efficiency low level flue



Product range, installation examples and more information on central heating at

centralheating.co.nz