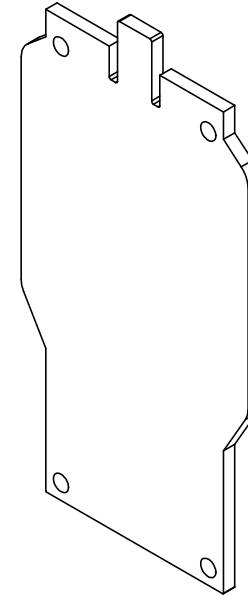
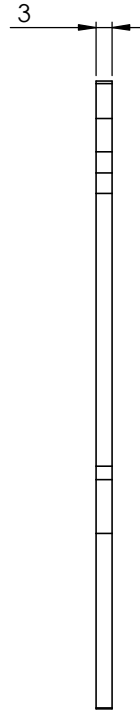
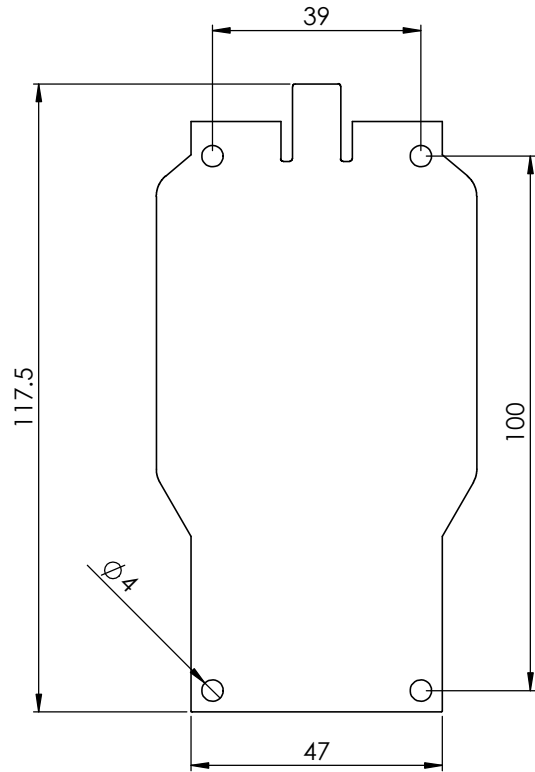


# Box Gutter End Plate

Part No.

# F150 6G



**UGS**  
PO Box 84 262,  
Westgate, Auckland  
0657 New Zealand  
Phone: +64 9 838 6429  
www.ugs.co.nz

**Description and Notes:**  
Box Gutter End Plate

**Material:**

**Vendor:**

**Weight (Kg):**

**Design by:** Peter Herrick

**Date:** 11/4/2022

**Drawn by:** C. Pasiona

Sheet: 1 of 1

**Finish:**

**Vendor Ref:**

**Area (m2):**

**Units:** Metric (mm & Kg)

**Drawing No.**

**Rev:**

**Scale:** N/A

F150 6G