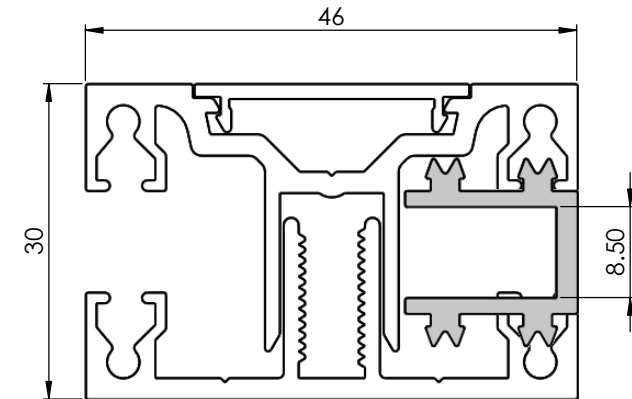
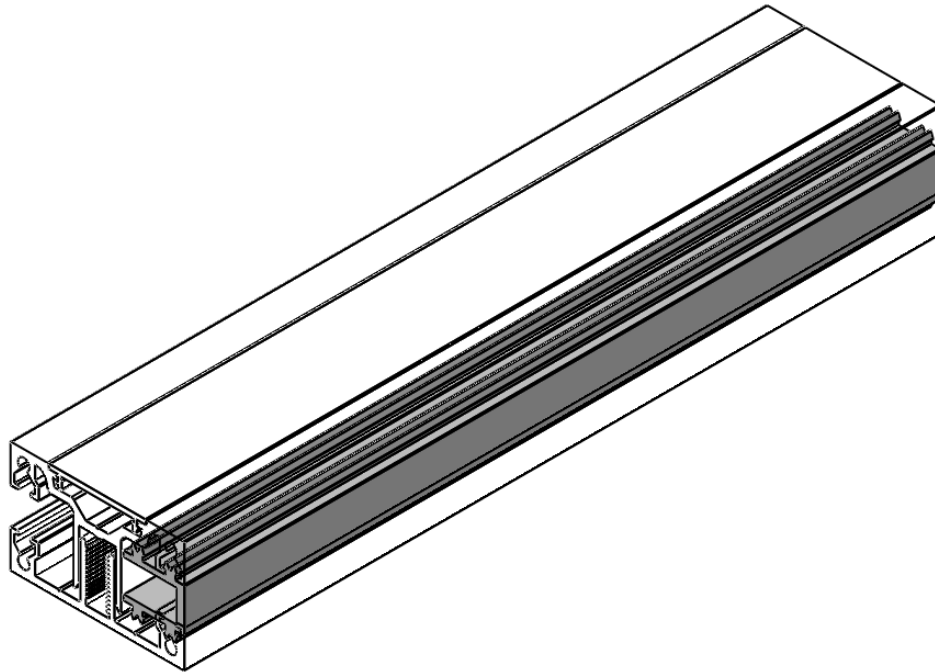


Clearspan Bar - 8mm Bar Edge Spacer

Part No.



SCALE 2 : 1

UGS PO Box 84 262, Westgate, Auckland 0657 New Zealand Phone: +64 9 838 6429 www.ugs.co.nz	Description and Notes: Clearspan Bar - 8mm Bar Edge Spacer	Material:	Vendor:	Weight (Kg):	Design by: Peter Herrick	Date: 11/8/2022	
		Finish:	Vendor Ref:	Area (m2):	Drawn by: G.Termeh	Sheet: 1 of 2	
					Units: Metric (mm & Kg)	Drawing No.	Rev:
					Scale: N/A		