

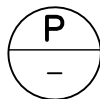
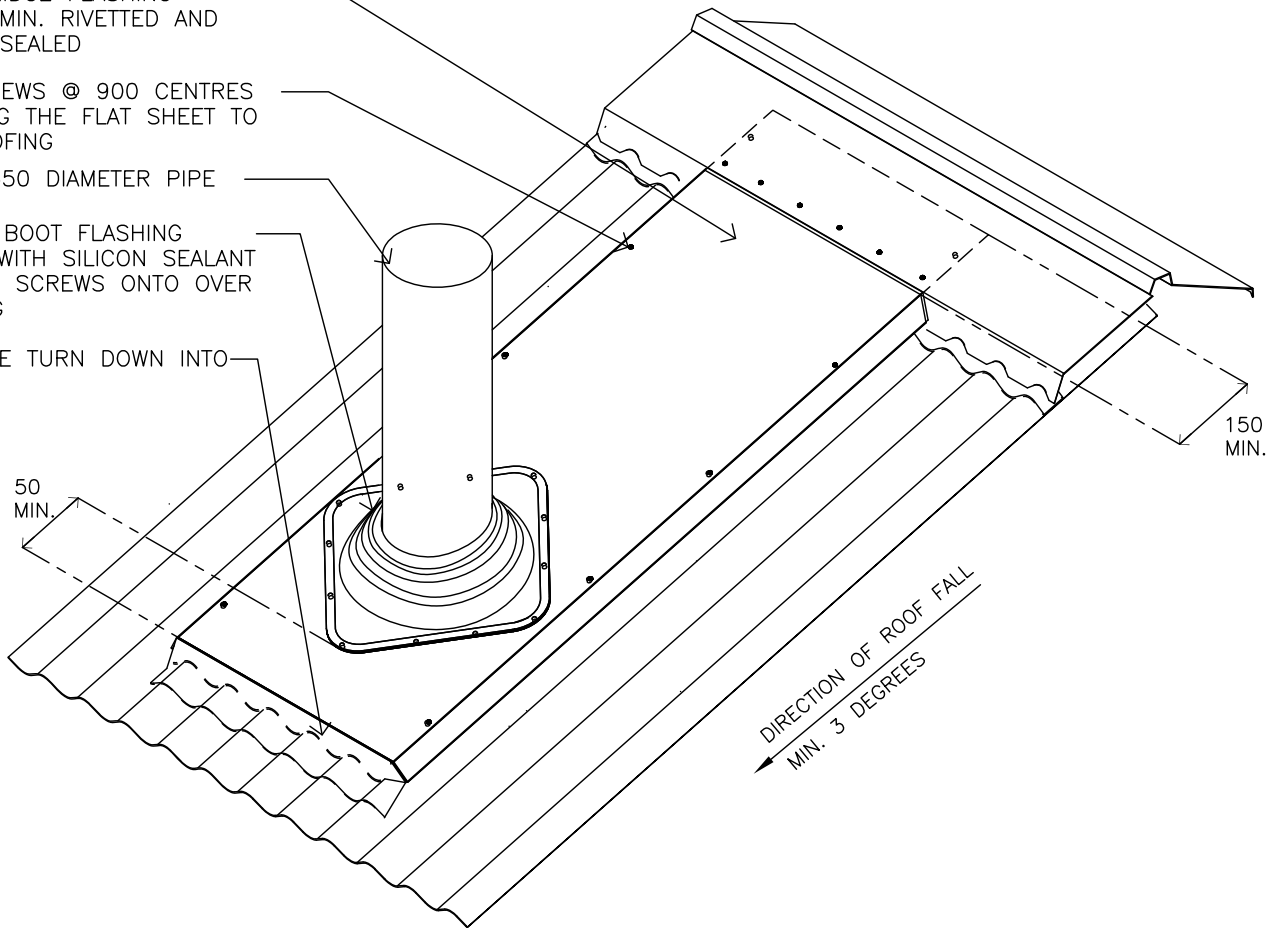
COVER FLASHING EXTENDED  
UP TO RIDGE FLASHING  
150mm MIN. RIVETTED AND  
SILICON SEALED

TEK SCREWS @ 900 CENTRES  
SECURING THE FLAT SHEET TO  
THE ROOFING

UP TO 350 DIAMETER PIPE

RUBBER BOOT FLASHING  
SEALED WITH SILICON SEALANT  
AND TEK SCREWS ONTO OVER  
FLASHING

SOFTEDGE TURN DOWN INTO  
PAN



## PIPE PENETRATION DETAIL

CAD REF: ROOF\SPD-CORRUGATE

NOTE:

– DETAIL IS ONLY APPLICABLE FOR PENETRATIONS UP TO 350mm DIAMETER