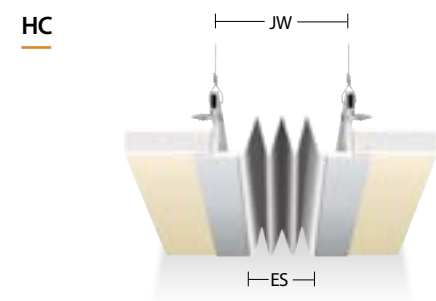
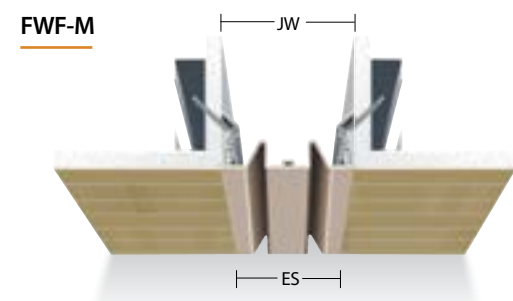
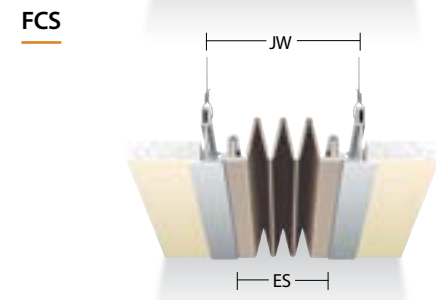
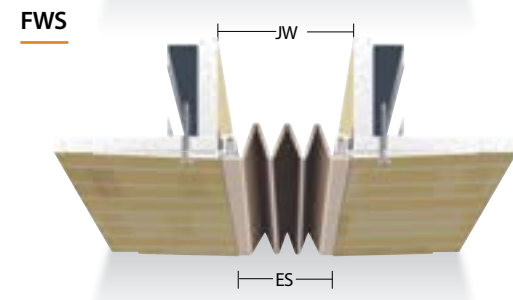
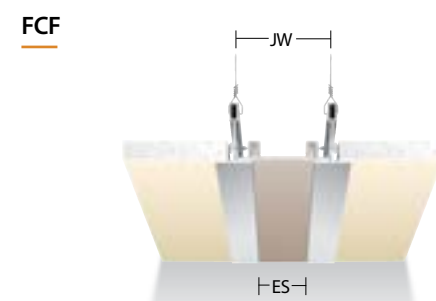
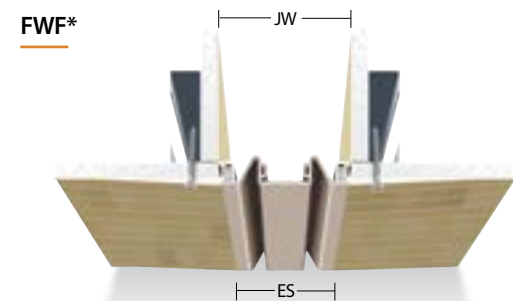
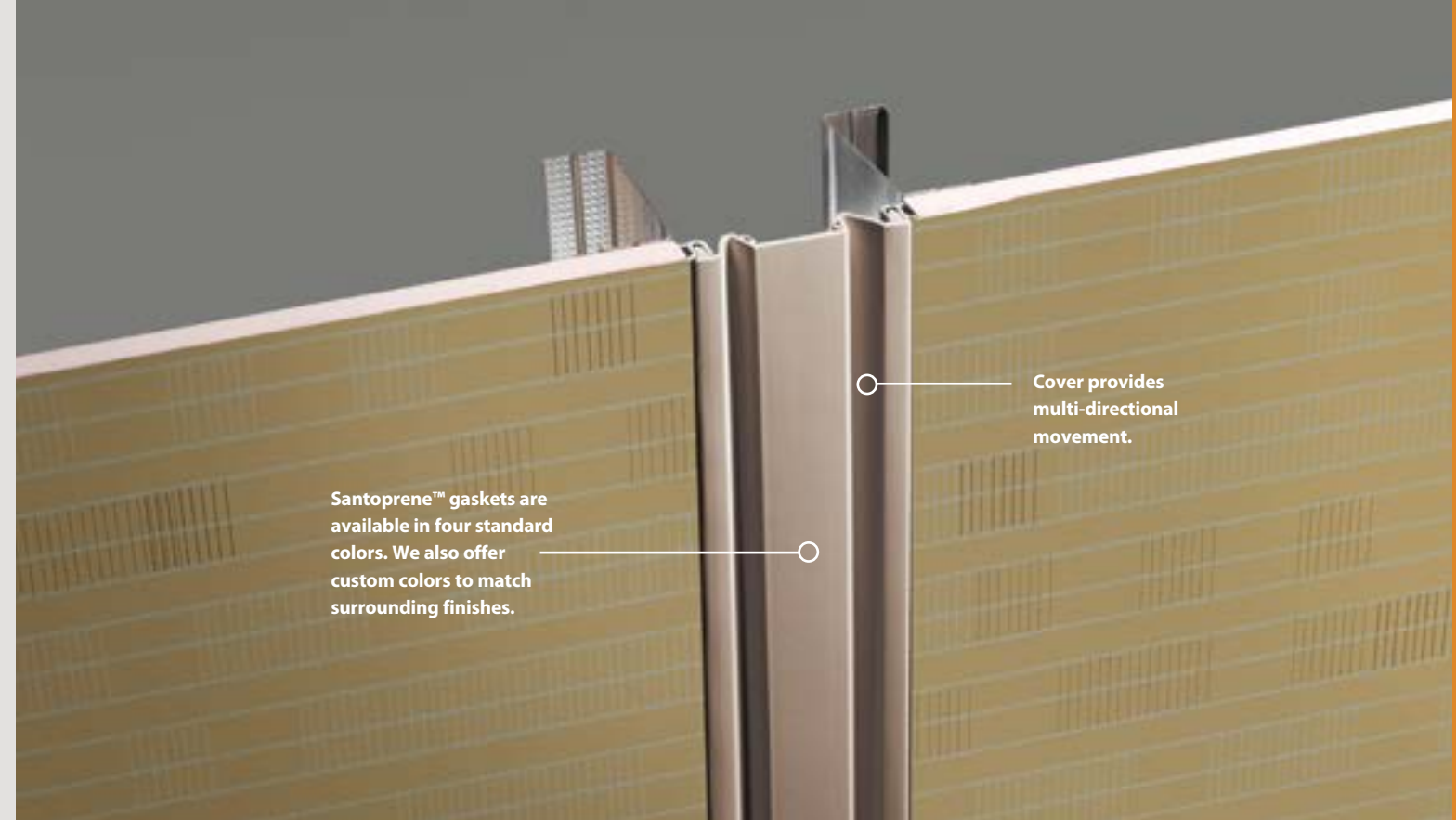


Flush Thinline Wall and Ceiling Covers 1"-10"

These flush gasketed wall and ceiling covers are designed to align with our flush gasketed floor covers. These covers are suitable for most wall and ceiling finishes and are unobtrusive.



Optional ribbed gaskets provide greater movement (models FWS, FCS and HC).

MODEL DATA

WALL TO WALL COVERS

JOINT WIDTH	1"	2"	3"	4"	2"	3"	4"
MINIMUM OPENING	0.60"	0.60"	1.25"	1.25"	1.25"	1.25"	1.25"
MAXIMUM OPENING	1.25"	2.50"	4.50"	6.00"	4.00"	6.00"	8.00"
EXPOSED SURFACE	1.06"	2.06"	3.00"	4.00"	2.00"	3.00"	4.00"
SPECIFY MODEL	FWF 100	FWF 200	FWF 300	FWF 400	FWS 200	FWS 300	FWS 400

CEILING COVERS

1"	2"	3"	4"	2"	3"	4"
0.60"	0.60"	1.25"	1.25"	1.25"	1.25"	1.25"
1.25"	2.50"	4.50"	6.00"	4.00"	6.00"	8.00"
0.81"	1.63"	3.00"	4.00"	2.00"	3.00"	4.00"
FCF 100	FCF 200	FCF 300	FCF 400	FCS 200	FCS 300	FCS 400

CORNER WALL COVERS

JOINT WIDTH	1"	2"	3"	4"	2"	3"	4"
MINIMUM OPENING	0.75"	0.75"	1.25"	1.25"	1.25"	1.25"	1.25"
MAXIMUM OPENING	1.25"	2.50"	4.50"	6.00"	4.00"	6.00"	8.00"
EXPOSED SURFACE	1.06"	2.06"	3.00"	4.00"	2.00"	3.00"	4.00"
SPECIFY MODEL	FWFC 100	FWFC 200	FWFC 300	FWFC 400	FWSC 200	FWSC 300	FWSC 400

CORNER CEILING COVERS

1"	2"	3"	4"	2"	3"	4"
0.75"	0.75"	1.25"	1.25"	1.25"	1.25"	1.25"
1.25"	2.50"	4.50"	6.00"	4.00"	6.00"	8.00"
1.00"	1.75"	3.00"	4.00"	2.00"	3.00"	4.00"
FCFC 100	FCFC 200	FCFC 300	FCFC 400	FCSC 200	FCSC 300	FCSC 400

FWF-M, FWF and FWFC have the same model data. HC and FCS have the same model data. For odd and larger sized joints, call 800.233.8493 or visit www.c-sgroup.com/ejc.

GASKET COLORS



Note: Custom colors are available. Call 800.233.8493.
*For more available models see our website.

For comprehensive information on these products, visit www.c-sgroup.com/ejc.