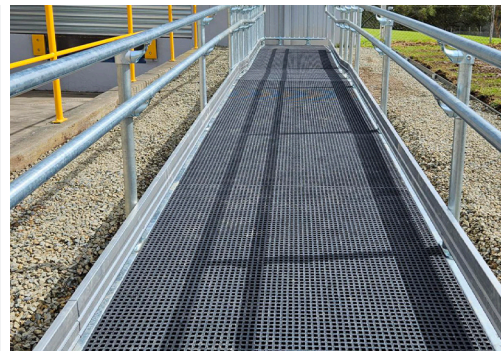
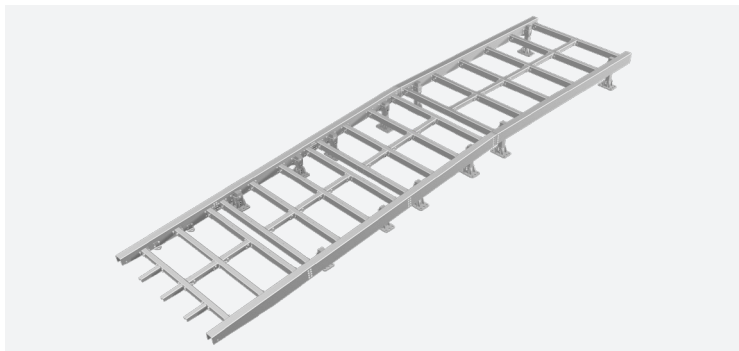


EB120 series Ezibilt® Stair, Ramp and Walkway System

Adjustable ramp, stair and walkway system
Compatible with Moddex Handrail and Balustrades

Patent Pending NZ778084



Key features

- › Modular flexibility, fully adjustable between 26-38° to meet site conditions
- › No-weld assembly
- › Flat pack delivery
- › Reduced corrosion
- › Negate the need for complex, on site measuring

Applications suited to

- › Primary Schools
- › Secondary Colleges
- › Early Education
- › Road and Rail Infrastructure Projects
- › Water and Sewerage Treatment Plants
- › Mining
- › Maintenance Platforms and Access Ramps
- › Portable Buildings

Specification Summary

Supply of Ezibilt proprietary system, installed according to Moddex Specifications, or by a Moddex accredited installer. Supplied as flat packed parts for walkway structure, for platforms to be built on site prior to installation.

Technical Data

Material - Ramp, Platform & Stair

3mm C350 Steel Pipe & RHS

3mm G250 Steel Plate

All steel works & fixings to be HDG

Protective coating

Steel Components G300/390 Hot Dip Galvanised

Optional Powder coating and paint specs*

*The standard process for Powder Coated and Painted handrail products is as follows: black steel is used for fabrication. The steel is sand blasted and a zinc primer coating is applied. The powder coat / paint coat is then applied over the zinc primer creating a dual shield coating with a decorative finish.

Base Fixing

- › For timber substrates, 4/M16 x 120 coach screws
- › For Concrete substrates, M16 bolts threaded rods, drilled 90mm into concrete and epoxied with EPICON C6 Series Chemset or M12 x 100 screw bolts

EB-120

Overall Dimensions - 1.375m wide (1.225m walkable space)

*From one side of steel structure to another, excludes cladding.
- Adjustable Height (Maximum height 2m from FFL)

Angle - Usable at level or 4° angle for a ramp
- Stairs: 24-38°, depending on application

EB-120W

Overall Dimensions - 1.575m wide (1.425m walkable space)

*From one side of steel structure to another, excludes cladding.
- applications
- Adjustable Height (Maximum height 2m from FFL)

Angle - Usable at level or 4° angle for a ramp
- Stairs: 24-38°, depending on application

Compliance

Moddex Ezibilt™ system is designed and manufactured in accordance with the following loading standards:

- › AS/NZS1170.0
- › AS/NZS1170.1
- › AS/NZS1170.2
- › AS/NZS1170.3
- › AS/NZS1170.5
- › AS1428 Access Routes
- › Live Load allowance of 2.5kPa (5.0 kPa or 1.8 kN achievable with correct foundation)
- › Maximum height of 1.0m (non-braced) greater heights achieved with bracing please enquire
- › Maximum wind zone of "Very High"
- › Compatible with all Moddex handrail and balustrade systems
- › Supplied with Reg. 126 Certificate.

Warranty

10 years from date of purchase subject to correct installation, use and maintenance in accordance with manufacturer's specifications and recommendations, unless otherwise negotiated at the time of purchase.

Inspection & Maintenance

Visual inspection for any damage or loose fixings must be done periodically and prior to use. No certified maintenance required. Basic wear and tear preventative maintenance is recommended, as per manufacturer's specifications and recommendations.
— Refer installation manual

Design Life

Standard design life of walkway structure is 50 years.

ALL MODULES

FRP Minimesh Available on request. See FRP38MM Spec Sheet

Fixings* Self Drilling Screws - Galv
*Other Fixing options are available on request
M12 Coach Bolts - Galv
Decking Screws - Galv
M12 Mechanical/ Chemical concrete fixing
- Galv

Steel Components Material:
-3mm C350 Steel Plate
-3mm G250 Steel Plate
Finish:
- Galv

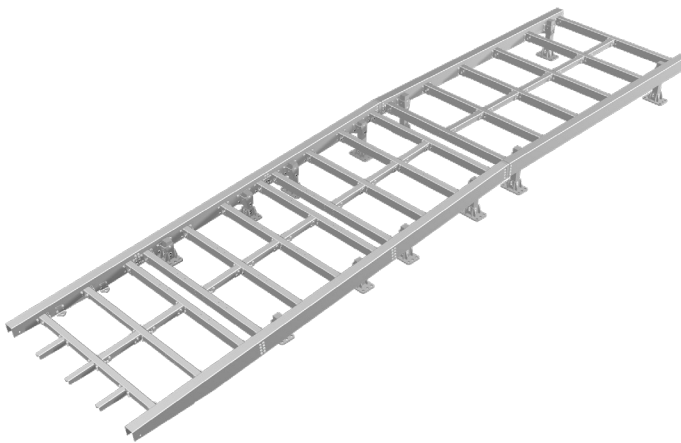
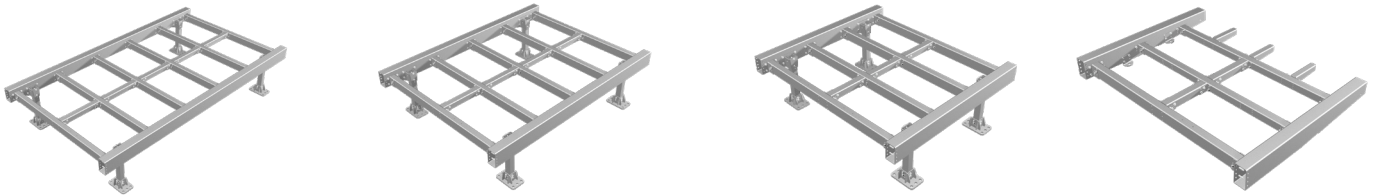
Weight 43kg per SQM (structure only)

*Refer to handrail specification sheets for handrail specifications.

Technical Information

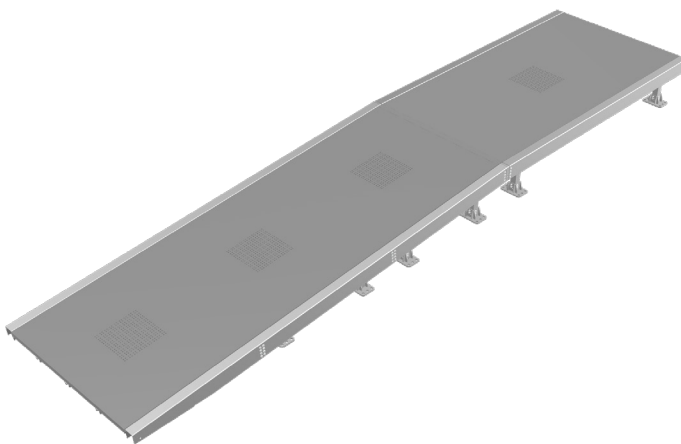
Ezibilt is delivered as a series of parts to make up a combination of modules depending on your site requirements:

- Ramps to be specified in widths as per Moddex Standard: 1375mm or 1575mm
- Ramp tip is optional, or use a concrete nose
- Height parameters are specified as below:
 - Under 600mm - No bracing required
 - From 600mm - 1800mm, bracing is required
 - Over 2000mm, please contact Moddex directly on 1800 663 339 to discuss



STEP 1

Assemble Ezibilt walkway structure* as per assembly instructions



STEP 2

Attach walkway and tread material as per manufacturers instructions

***Supplied as flat packed parts for walkway structure, for platforms to be built on site prior to installation.**

Important Note: Failure to supply and/or install proprietary product in accordance with above Standards and codes, specification and instructions, voids complete system certification and/or warranty.

Designed and manufactured by Moddex. ©Moddex Group. All Rights Reserved.

For information or technical support please contact us

T 1800 663 339 (AU)

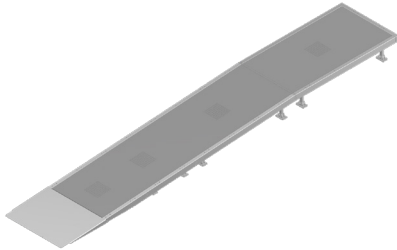
T 0800 663 339 (NZ)

moddex.com

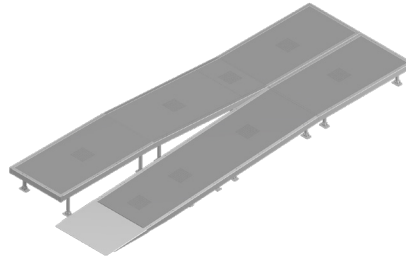
Technical Information

Available in the following configurations:

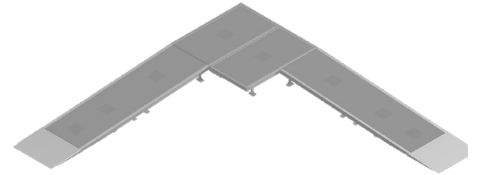
Straight



Switch-back

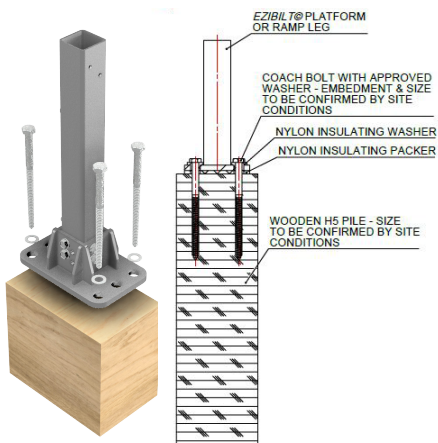


L-Shape

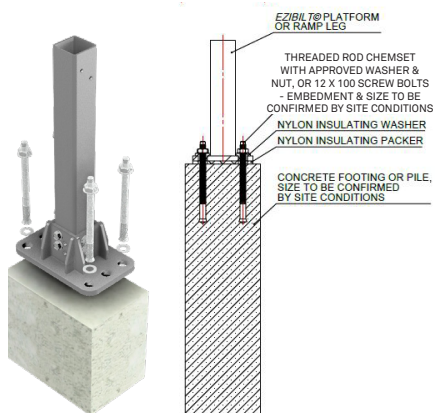


Fixings:

Fixing to Timber



Fixing to Concrete



Fixing Inground



Footing depth and diameter to be specified by builders site engineer.

Moddex cannot provide a standard footing detail due to multiple soil types.

Important Note: Failure to supply and/or install proprietary product in accordance with above Standards and codes, specification and instructions, voids complete system certification and/or warranty.

Designed and manufactured by Moddex. ©Moddex Group. All Rights Reserved.

For information or technical support please contact us

T 1800 663 339 (AU)

T 0800 663 339 (NZ)

moddex.com