

SCS PROJECT:
Smokehalt Smoke Curtain



No	DESCRIPTION	REQUIREMENT	RESPONSIBILITY
1	WORKS DONE BY OTHERS	ALL DETAILS PERTAINING TO WORK BY OTHERS IS AN ADVISEMENT ONLY AND IT IS THE RESPONSIBILITY OF THE SUPPLIER AND INSTALLER OF THE ITEM/S TO CONFIRM COMPLIANCE TO ITS SUITABILITY FOR THE PURPOSE AND TO CERTIFY ITS COMPLIANCE TO THE REQUIRED FRL TO THE SATISFACTION OF THE FE OR CERTIFIER.	BUILDER, ARCHITECT, OTHER TRADES
2	SHOP DRAWINGS	APPROVAL OF SHOP DRAWINGS (SIGNATURE AND DATE) IS REQUIRED TO BE RETURNED TO SMOKE CONTROL SYSTEMS BEFORE MANUFACTURE CAN COMMENCE.	BUILDER, ARCHITECT
3	DELIVERIES TO SITE	IF REQD, FORKLIFT TO BE MADE AVAILABLE.	BUILDER
4	VERTICAL MOVEMENT OF PRODUCT	IF REQD, CRANE SHALL BE AVAILABLE TO SMOKE CONTROL SYSTEMS AT AGREED TIME OF DELIVERY. IF THIS IS NOT AVAILABLE, THIS MAY INCUR EXTRA CHARGES.	BUILDER
5	STORAGE	SUFFICIENT CLEAR FLOOR SPACE TO BE MADE AVAILABLE IMMEDIATELY ADJACENT TO EACH INSTALLATION LOCATION.	BUILDER
6	ACCESS TO WORKFACE (INSTALLATION)	REASONABLY ADEQUATE WORKING AREA REQD., MIN 500mm FROM SYSTEM TO STRUCTURE IS IDEAL. SUBJECT TO SITE CONDITIONS.	BUILDER
7	POSSIBLE OBSTRUCTIONS (WHERE PRESENT)	THERE MUST NOT BE ANYTHING INTERFERING WITH THE OPERATION OF CURTAIN IN ANY WAY. MIN. 100mm FROM SYSTEM TO ANY POSSIBLE OBSTRUCTION TO DROP LINE OF BOTTOM BAR IS IDEAL.	BUILDER
8	ACCESS PANELS (INSTALLATION WITHIN CEILING CAVITY)	450X450 NOM. ACCESS PANELS TO BE PROVIDED AT THE NOMINATED LOCATION OF CURTAIN CONTROLLER. MAY NOT BE REQD. WHERE REMOVABLE GRID CEILING ALLOWS FOR CLEAR ACCESS TO CURTAIN CONTROLLERS AND CURTAIN HEAD BOX.	BUILDER, CEILING CONTRACTOR
9	POWER REQUIREMENTS	240 VOLT 10 AMP GPO TO BE LOCATED NO MORE THAN 1m AWAY FROM NOMINATED LOCATION OF CURTAIN CONTROLLERS.	BUILDER, ELECTRICAL
10	ALARM SIGNAL, ACTIVATION	0 VOLT NORMALLY CLOSED CONTACT (OPEN ON ALARM) TO BE PROVIDED WITHIN 1 METRE OF CURTAIN CONTROLLER.	BUILDER, ELECTRICAL, SMOKE
11	PRESSURISATION, EXHAUST SYSTEMS	IMPORTANT: BALANCING TO CONSIDER AFFECTS OF CURTAINS 23 PA MAX. PRESSURE DIFFERENTIAL STRONGLY RECOMMENDED.	BULDER, MECHANICAL SERVICES
12	TUNING	ALL SCAFFOLDING & OTHER TRADES TO BE CLEAR 2 DAYS PRIOR TO TUNING & COMMISSIONING.	BUILDER
13	COMMISSIONING STAGE 1	PRACTICAL COMPLETION TESTS: PERMANENT POWER & ALARMS CONNECTED FOR DRY RUN PRIOR TO CSC. CURTAINS MUST BE ISOLATED DURING INDIVIDUAL COMMISSIONING OF OTHER ESSENTIAL SERVICES. <i>(PRODUCT LOCKED IN OPEN POSITION AFTER TESTING)</i>	SMOKE CONTROL SYSTEMS & BUILDER
14	COMMISSIONING STAGE 2	COORDINATED SERVICES COMMISSIONING (CSC)	SMOKE CONTROL SYSTEMS
15	COMMISSIONING STAGE 3	WITNESS TESTING, FINAL COMMISSIONING & HANDOVER	SMOKE CONTROL SYSTEMS

TABLE OF DRAWINGS	
SHEET	DESCRIPTION
00 - SPECIFICATIONS	
0001	COVER SHEET
01 - TYPICAL INSTALLATIONS	
0101	SMOKEHALT SMOKE CURTAIN - INSTALLED WITHIN OPENING
0102	SMOKEHALT SMOKE CURTAIN - INSTALLED OVER OPENING
0103	SMOKEHALT SMOKE CURTAIN - INSTALLED OVER LIFT
0104	SMOKEHALT SMOKE CURTAIN - FUSIBLE LINK TRIGGER
0105	SMOKEHALT SMOKE CURTAIN - INSTALLED AT CORNER POST
02 - DETAILS	
0201	HEAD BOX INSTALLATION TYPES
0202	SIDE GUIDE INSTALLATION TYPES
0203	HEAD BOX AND SIDE GUIDE REBATE DETAIL

THIS DRAWING IS COPYRIGHT AND THE PROPERTY OF THE AUTHOR, AND MUST NOT BE RETAINED, COPIED OR USED WITHOUT THE AUTHORITY OF SMOKE CONTROL SYSTEMS PTY. LTD.
DO NOT SCALE FROM DRAWING. USE PROVIDED DIMENSIONS ONLY.
ALL DISCREPANCIES MUST BE BROUGHT TO THE ATTENTION OF AUTHOR.
SMOKE CONTROL SYSTEMS DO NOT TAKE RESPONSIBILITY OF MEASUREMENTS PROVIDED BY OTHERS.

CHK	REASON	DATE
- BK	FOR INFORMATION	16/07/2019

DISCLAIMER

INFORMATION GIVEN IN SMOKECONTROL.COM.AU AND PUBLICATIONS FOR DOWNLOAD ARE GIVEN TO THE BEST OF OUR KNOWLEDGE AND IN GOOD FAITH. SMOKE CONTROL IS NOT RESPONSIBLE IF RECIPIENTS OF TEST REPORTS, ASSESSMENTS OR LITERATURE MISINTERPRET THE CONTENTS AND WRONGLY USE PRODUCTS BASED ON THOSE MISINTERPRETATIONS. NO LIABILITY IS ACCEPTED FOR ERROR OMISSIONS IN THIS WEB SITE OR OUR DOCUMENTS. IN THE INTERESTS OF IMPROVEMENTS AND CONTINUED DEVELOPMENT SMOKE CONTROL RESERVES THE RIGHT TO CHANGE SPECIFICATION WITHOUT NOTICE.

INFORMATION COPY ONLY



WWW.SMOKECONTROL.COM.AU
WWW.SMOKECONTROL.CO.NZ
WWW.SMOKECONTROL.COM
AUSTRALIAN HEADOFFICE PHONE: 1300 665 471
NEW ZEALAND PHONE: 09 300 1980
INFO@SMOKECONTROL.COM.AU INFO@SMOKECONTROL.CO.NZ

PROJECT
SCS-FH
SMOKEHALT SMOKE CURTAIN

CLIENT

TITLE
COVER SHEET

SUB SET (CATEGORY)
00 - SPECIFICATIONS

DRAWING NUMBER
SCS-FH-0001

DRAWN BY
IGOR REBENKO

ISSUE STATUS:
INFORMATION ONLY

START DATE
16/07/2019

SCALE
AS SHOWN

@A2

SMOKEHALT SMOKE CURTAIN	HEAD BOX & BOTTOM BAR	GALVANISED STEEL	UL1784 AS1530.7	HEAD BOX	DULUX DURALLOY COLOUR TBA WILL COME IN RAW FINISH IF COLOUR IS NOT PROVIDED BY CLIENT
	SIDE GUIDES	GALVANISED STEEL		SIDE GUIDES	
	FABRIC	SMOKE RATED		BOTTOM BAR	
SYSTEM	COMPONENT	MATERIALS	FRL	COLOUR/FINISH	
PRODUCT SPECIFICATIONS					

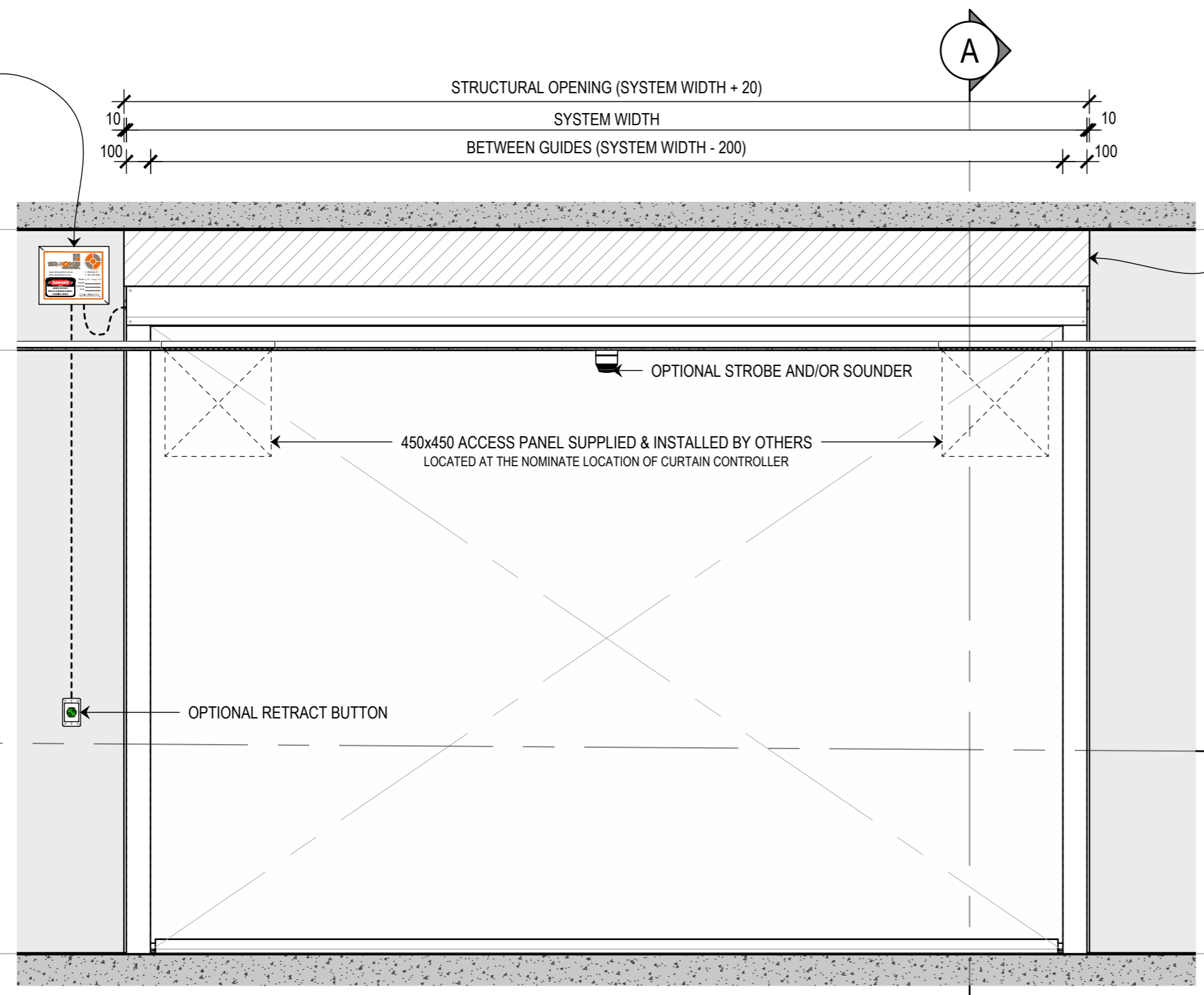
FILE: SCS-SH.dwg --- PLOTTED ON 29/07/2019 BY IGOR REBENKO

<<< 594mm

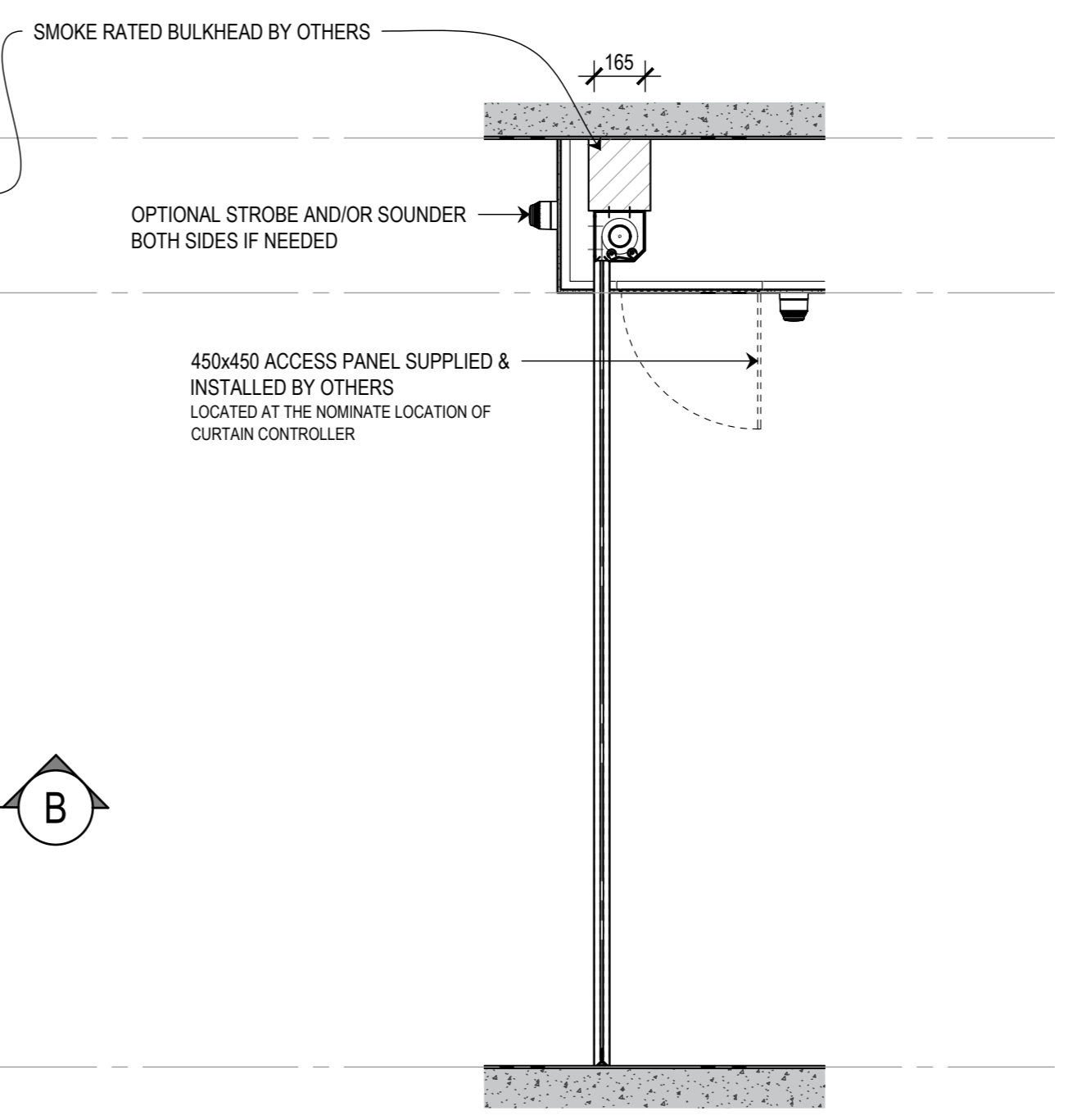
THIS DRAWING IS COPYRIGHT AND THE PROPERTY OF THE AUTHOR, AND MUST NOT BE RETAINED, COPIED OR USED WITHOUT THE AUTHORITY OF SMOKE CONTROL SYSTEMS PTY. LTD.
 DO NOT SCALE FROM DRAWING. USE PROVIDED DIMENSIONS ONLY.
 ALL DISCREPANCIES MUST BE BROUGHT TO THE ATTENTION OF AUTHOR.
 SMOKE CONTROL SYSTEMS DO NOT TAKE RESPONSIBILITY OF MEASUREMENTS PROVIDED BY OTHERS.

CHK	REASON	DATE
- BK	FOR INFORMATION	16/07/2019

CURTAIN CONTROLLER
 2129 - TRIGGER UNIT
 SIZE: 290x240x110
 REQS. 240V 10A GPO & 0 VOLT N.C. CONTACT TO FIP TO BE PROVIDE BY OTHERS
 LOCATED NO MORE THAN 1m AWAY FROM MOTOR

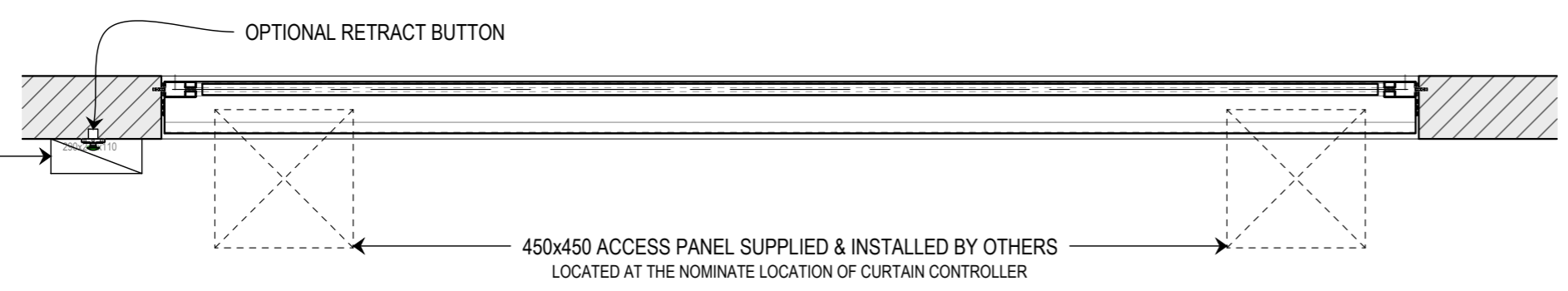


1 FRONT ELEVATION
 SMOKEHALT SMOKE CURTAIN - INSTALLED WITHIN OPENING
 SCALE 1:20 @ A2



A SIDE SECTION
 SCALE 1:20 @ A2

CURTAIN CONTROLLER
 2129 - TRIGGER UNIT
 SIZE: 290x240x110
 REQS. 240V 10A GPO & 0 VOLT N.C. CONTACT TO FIP TO BE PROVIDE BY OTHERS
 LOCATED NO MORE THAN 1m AWAY FROM MOTOR



B REFLECTED PLAN
 SCALE 1:20 @ A2

DISCLAIMER
 INFORMATION GIVEN IN SMOKECONTROL.COM.AU AND PUBLICATIONS FOR DOWNLOAD ARE GIVEN TO THE BEST OF OUR KNOWLEDGE AND IN GOOD FAITH. SMOKE CONTROL IS NOT RESPONSIBLE IF RECIPIENTS OF TEST REPORTS, ASSESSMENTS OR LITERATURE MISINTERPRET THE CONTENTS AND WRONGLY USE PRODUCTS BASED ON THOSE MISINTERPRETATIONS. NO LIABILITY IS ACCEPTED FOR ERROR OMISSIONS IN THIS WEB SITE OR OUR DOCUMENTS. IN THE INTERESTS OF IMPROVEMENTS AND CONTINUED DEVELOPMENT SMOKE CONTROL RESERVES THE RIGHT TO CHANGE SPECIFICATION WITHOUT NOTICE.

INFORMATION COPY ONLY



WWW.SMOKECONTROL.COM.AU
 WWW.SMOKECONTROL.CO.NZ
 WWW.SMOKECONTROL.COM
 AUSTRALIAN HEADOFFICE PHONE: 1300 665 471
 NEW ZEALAND PHONE: 09 300 1980
 INFO@SMOKECONTROL.COM.AU INFO@SMOKECONTROL.CO.NZ

PROJECT
 SCS-FH
 SMOKEHALT SMOKE CURTAIN

CLIENT

TITLE
 SMOKEHALT SMOKE CURTAIN
 INSTALLED WITHIN OPENING

SUB SET (CATEGORY)
 01 - TYPICAL INSTALLATIONS

DRAWING NUMBER
 SCS-FH-0101

DRAWN BY
 IGOR REBENKO

ISSUE STATUS:
 INFORMATION ONLY

START DATE
 16/07/2019

SCALE
 AS SHOWN @A2

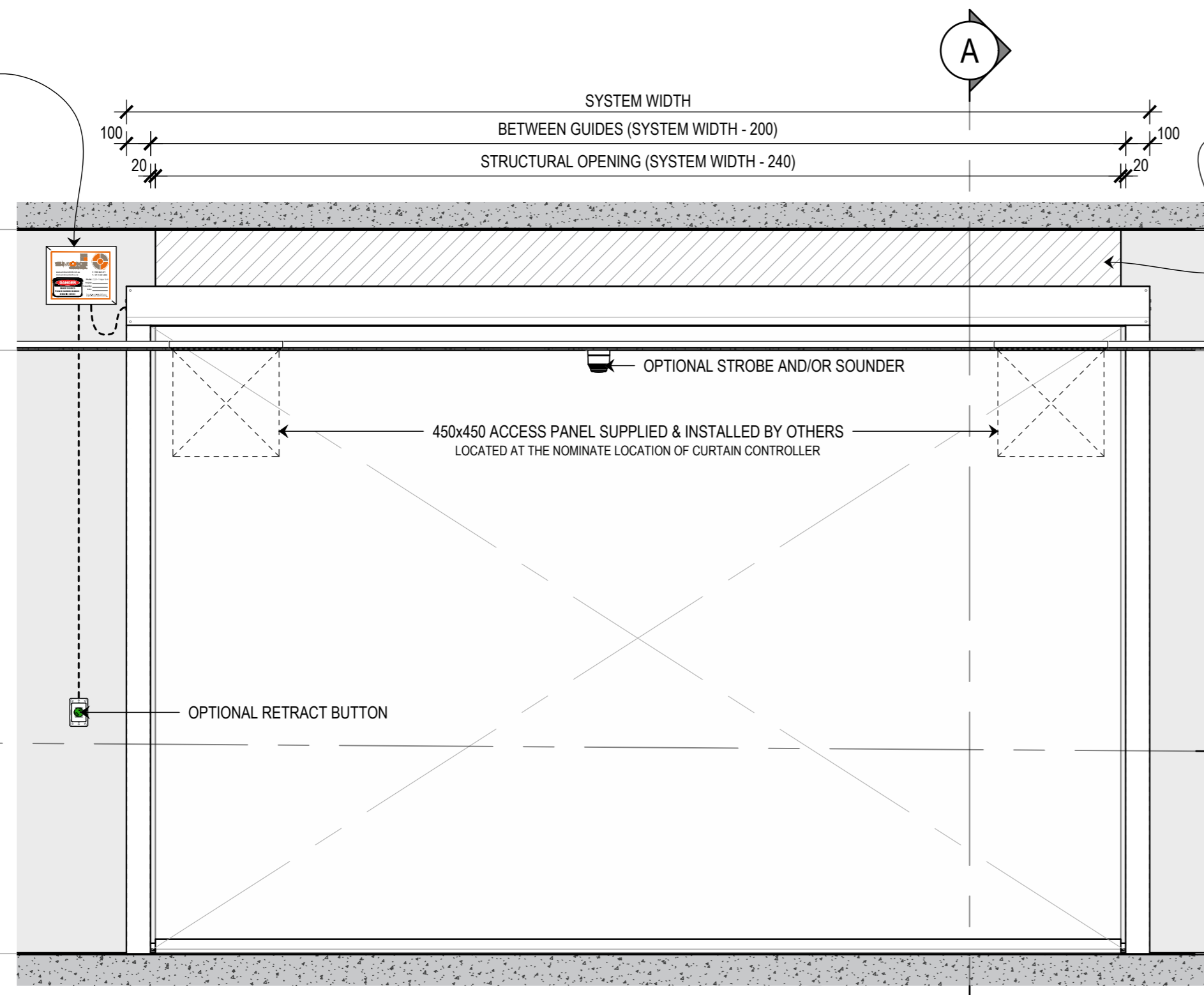
FILE: SCS-SH.dwg --- PLOTTED ON 29/07/2019 BY IGOR REBENKO

<<< 594mm

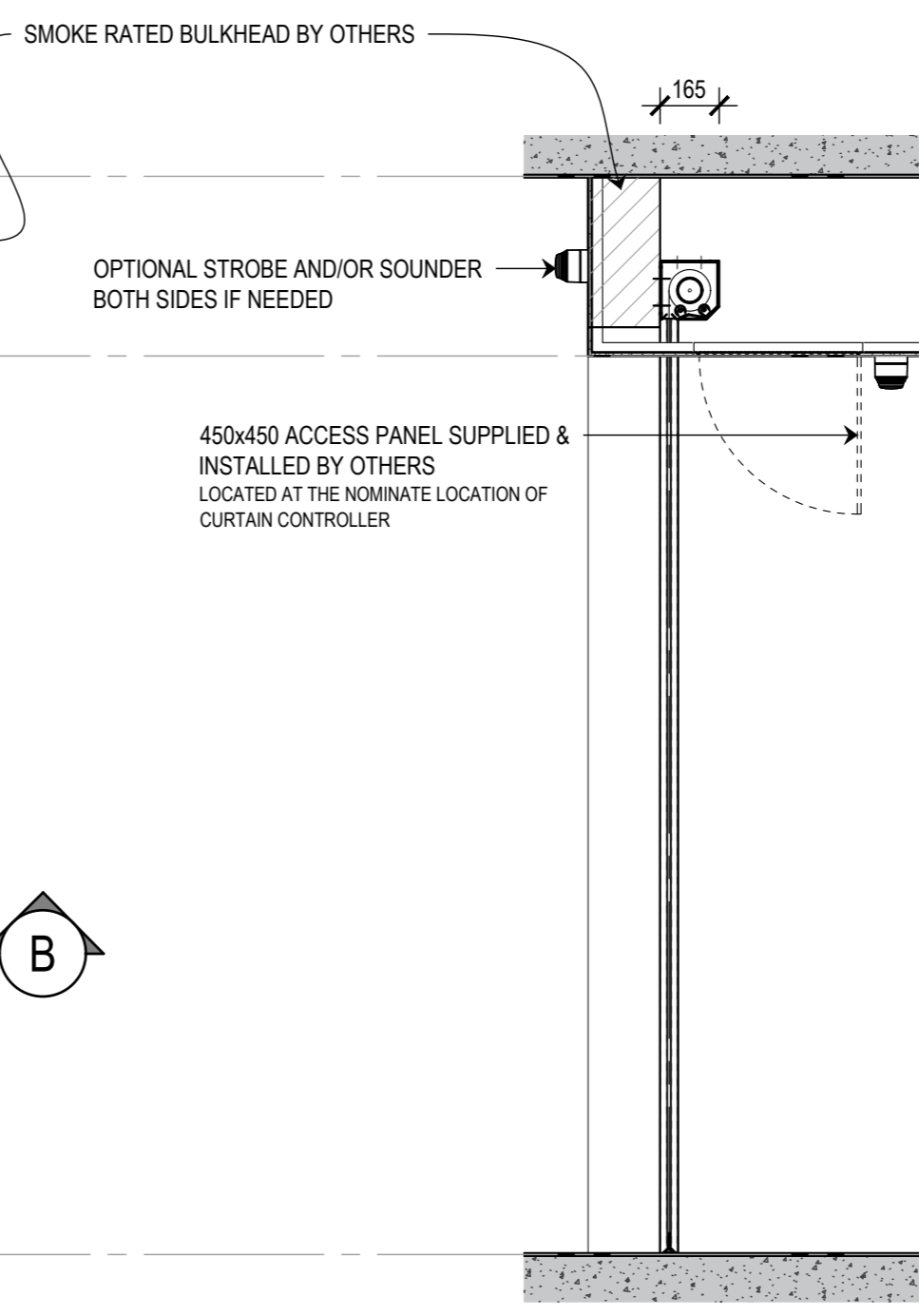
THIS DRAWING IS COPYRIGHT AND THE PROPERTY OF THE AUTHOR, AND MUST NOT BE RETAINED, COPIED OR USED WITHOUT THE AUTHORITY OF SMOKE CONTROL SYSTEMS PTY. LTD.
 DO NOT SCALE FROM DRAWING. USE PROVIDED DIMENSIONS ONLY.
 ALL DISCREPANCIES MUST BE BROUGHT TO THE ATTENTION OF AUTHOR.
 SMOKE CONTROL SYSTEMS DO NOT TAKE RESPONSIBILITY OF MEASUREMENTS PROVIDED BY OTHERS.

CHK	REASON	DATE
- BK	FOR INFORMATION	16/07/2019

CURTAIN CONTROLLER
 2129 - TRIGGER UNIT
 SIZE: 290x240x110
 REQS. 240V 10A GPO & 0 VOLT N.C. CONTACT TO FIP TO BE PROVIDE BY OTHERS
 LOCATED NO MORE THAN 1m AWAY FROM MOTOR

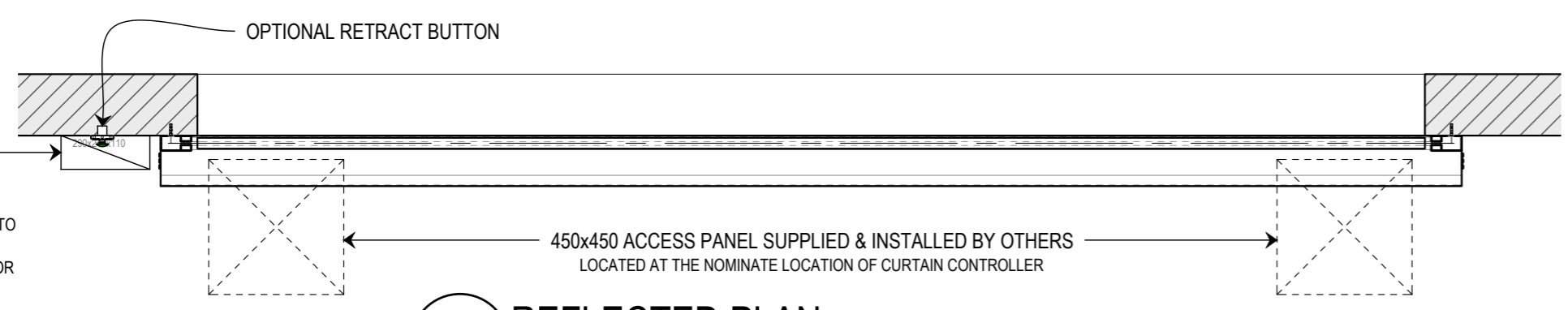


1 FRONT ELEVATION
 SMOKEHALT SMOKE CURTAIN - INSTALLED OVER OPENING
 SCALE 1:20 @ A2



A SIDE SECTION
 SCALE 1:20 @ A2

CURTAIN CONTROLLER
 2129 - TRIGGER UNIT
 SIZE: 290x240x110
 REQS. 240V 10A GPO & 0 VOLT N.C. CONTACT TO FIP TO BE PROVIDE BY OTHERS
 LOCATED NO MORE THAN 1m AWAY FROM MOTOR



B REFLECTED PLAN
 SCALE 1:20 @ A2

DISCLAIMER

INFORMATION GIVEN IN SMOKECONTROL.COM.AU AND PUBLICATIONS FOR DOWNLOAD ARE GIVEN TO THE BEST OF OUR KNOWLEDGE AND IN GOOD FAITH. SMOKE CONTROL IS NOT RESPONSIBLE IF RECIPIENTS OF TEST REPORTS, ASSESSMENTS OR LITERATURE MISINTERPRET THE CONTENTS AND WRONGLY USE PRODUCTS BASED ON THOSE MISINTERPRETATIONS. NO LIABILITY IS ACCEPTED FOR ERROR OMISSIONS IN THIS WEB SITE OR OUR DOCUMENTS. IN THE INTERESTS OF IMPROVEMENTS AND CONTINUED DEVELOPMENT SMOKE CONTROL RESERVES THE RIGHT TO CHANGE SPECIFICATION WITHOUT NOTICE.

INFORMATION COPY ONLY



WWW.SMOKECONTROL.COM.AU
 WWW.SMOKECONTROL.CO.NZ
 WWW.SMOKECONTROL.COM
 AUSTRALIAN HEADOFFICE PHONE: 1300 665 471
 NEW ZEALAND PHONE: 09 300 1980
 INFO@SMOKECONTROL.COM.AU INFO@SMOKECONTROL.CO.NZ

PROJECT
 SCS-FH
 SMOKEHALT SMOKE CURTAIN

CLIENT

TITLE
 SMOKEHALT SMOKE CURTAIN
 INSTALLED OVER OPENING

SUB SET (CATEGORY)
01 - TYPICAL INSTALLATIONS

DRAWING NUMBER
SCS-FH-0102

DRAWN BY: IGOR REBENKO
 ISSUE STATUS: INFORMATION ONLY

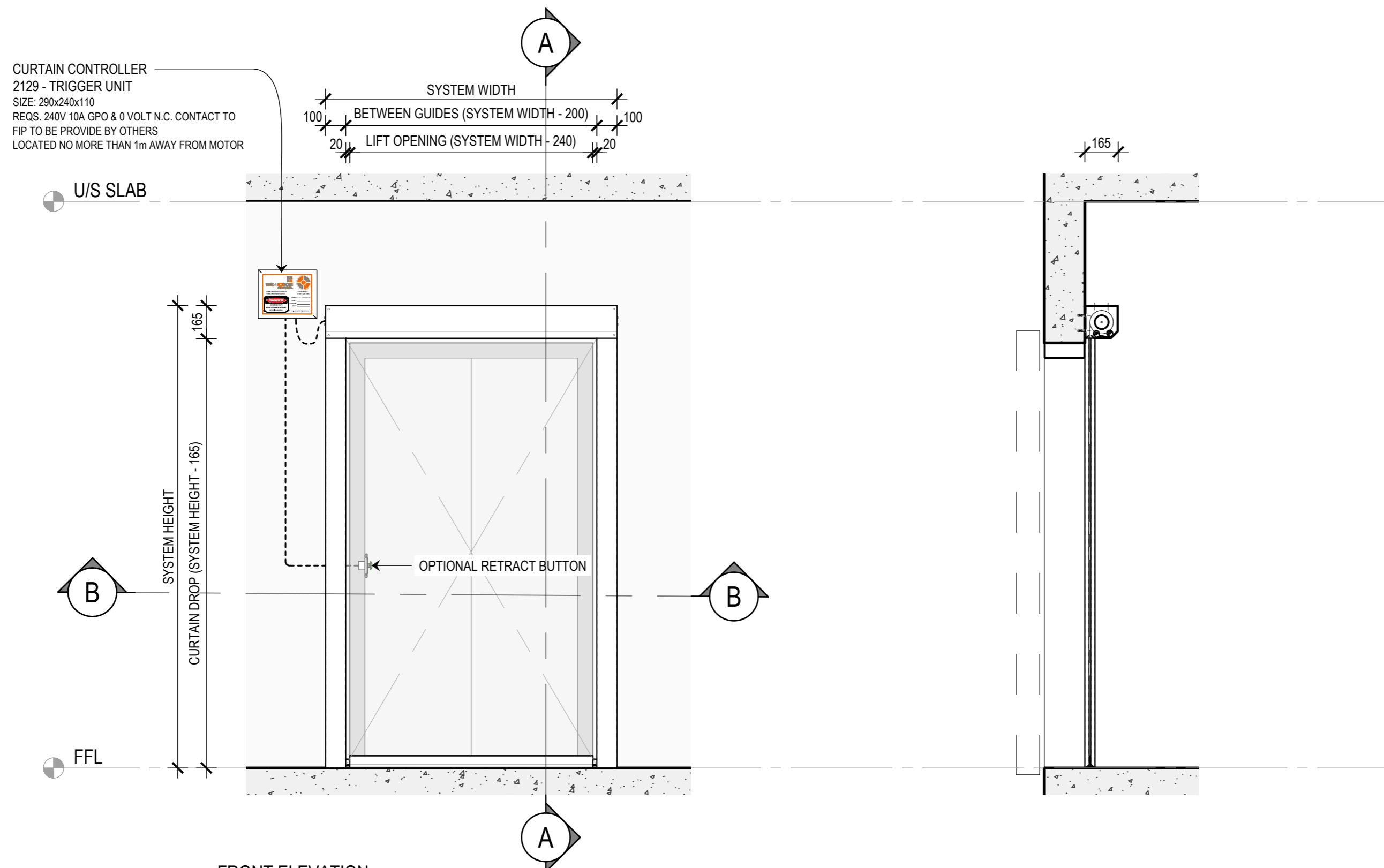
START DATE: 16/07/2019
 SCALE: AS SHOWN @A2

FILE: SCS-SH.dwg --- PLOTTED ON 29/07/2019 BY IGOR REBENKO

<<< 594mm

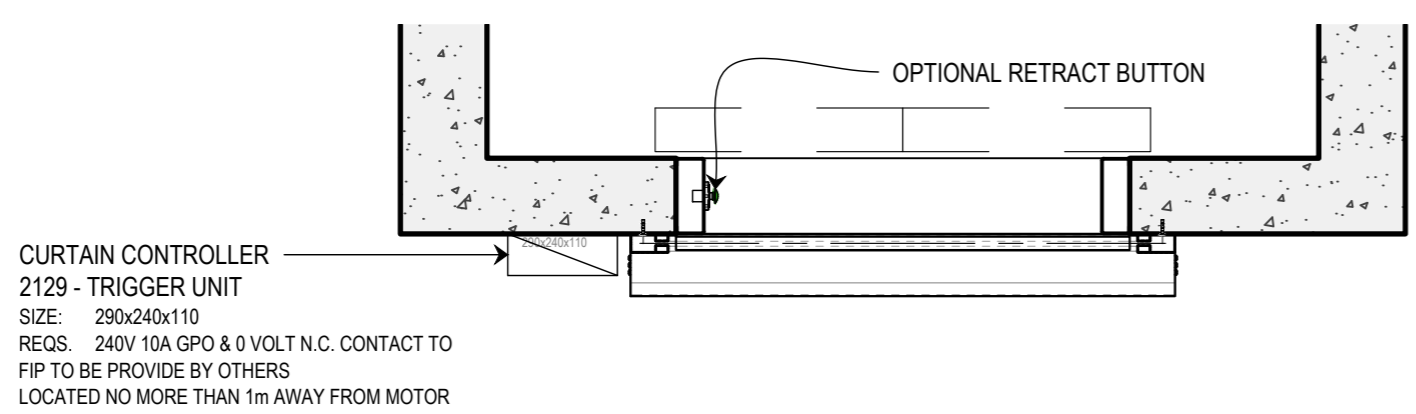
THIS DRAWING IS COPYRIGHT AND THE PROPERTY OF THE AUTHOR, AND MUST NOT BE RETAINED, COPIED OR USED WITHOUT THE AUTHORITY OF SMOKE CONTROL SYSTEMS PTY. LTD.
 DO NOT SCALE FROM DRAWING. USE PROVIDED DIMENSIONS ONLY.
 ALL DISCREPANCIES MUST BE BROUGHT TO THE ATTENTION OF AUTHOR.
 SMOKE CONTROL SYSTEMS DO NOT TAKE RESPONSIBILITY OF MEASUREMENTS PROVIDED BY OTHERS.

CHK	REASON	DATE
- BK	FOR INFORMATION	16/07/2019



1 FRONT ELEVATION
 SMOKEHALT SMOKE CURTAIN - INSTALLED OVER LIFT
 SCALE 1:20 @ A2

A SIDE SECTION
 SCALE 1:20 @ A2



B REFLECTED PLAN
 SCALE 1:20 @ A2

CURTAIN CONTROLLER
 2129 - TRIGGER UNIT
 SIZE: 290x240x110
 REQS. 240V 10A GPO & 0 VOLT N.C. CONTACT TO FIP TO BE PROVIDE BY OTHERS
 LOCATED NO MORE THAN 1m AWAY FROM MOTOR

DISCLAIMER

INFORMATION GIVEN IN SMOKECONTROL.COM.AU AND PUBLICATIONS FOR DOWNLOAD ARE GIVEN TO THE BEST OF OUR KNOWLEDGE AND IN GOOD FAITH. SMOKE CONTROL IS NOT RESPONSIBLE IF RECIPIENTS OF TEST REPORTS, ASSESSMENTS OR LITERATURE MISINTERPRET THE CONTENTS AND WRONGLY USE PRODUCTS BASED ON THOSE MISINTERPRETATIONS. NO LIABILITY IS ACCEPTED FOR ERROR OMISSIONS IN THIS WEB SITE OR OUR DOCUMENTS. IN THE INTERESTS OF IMPROVEMENTS AND CONTINUED DEVELOPMENT SMOKE CONTROL RESERVES THE RIGHT TO CHANGE SPECIFICATION WITHOUT NOTICE.

INFORMATION COPY ONLY



WWW.SMOKECONTROL.COM.AU
 WWW.SMOKECONTROL.CO.NZ
 WWW.SMOKECONTROL.COM
 AUSTRALIAN HEADOFFICE PHONE: 1300 665 471
 INFO@SMOKECONTROL.COM.AU
 NEW ZEALAND PHONE: 09 300 1980
 INFO@SMOKECONTROL.CO.NZ

PROJECT
 SCS-FH
 SMOKEHALT SMOKE CURTAIN

CLIENT

TITLE
 SMOKEHALT SMOKE CURTAIN
 INSTALLED OVER LIFT

SUB SET (CATEGORY)
01 - TYPICAL INSTALLATIONS

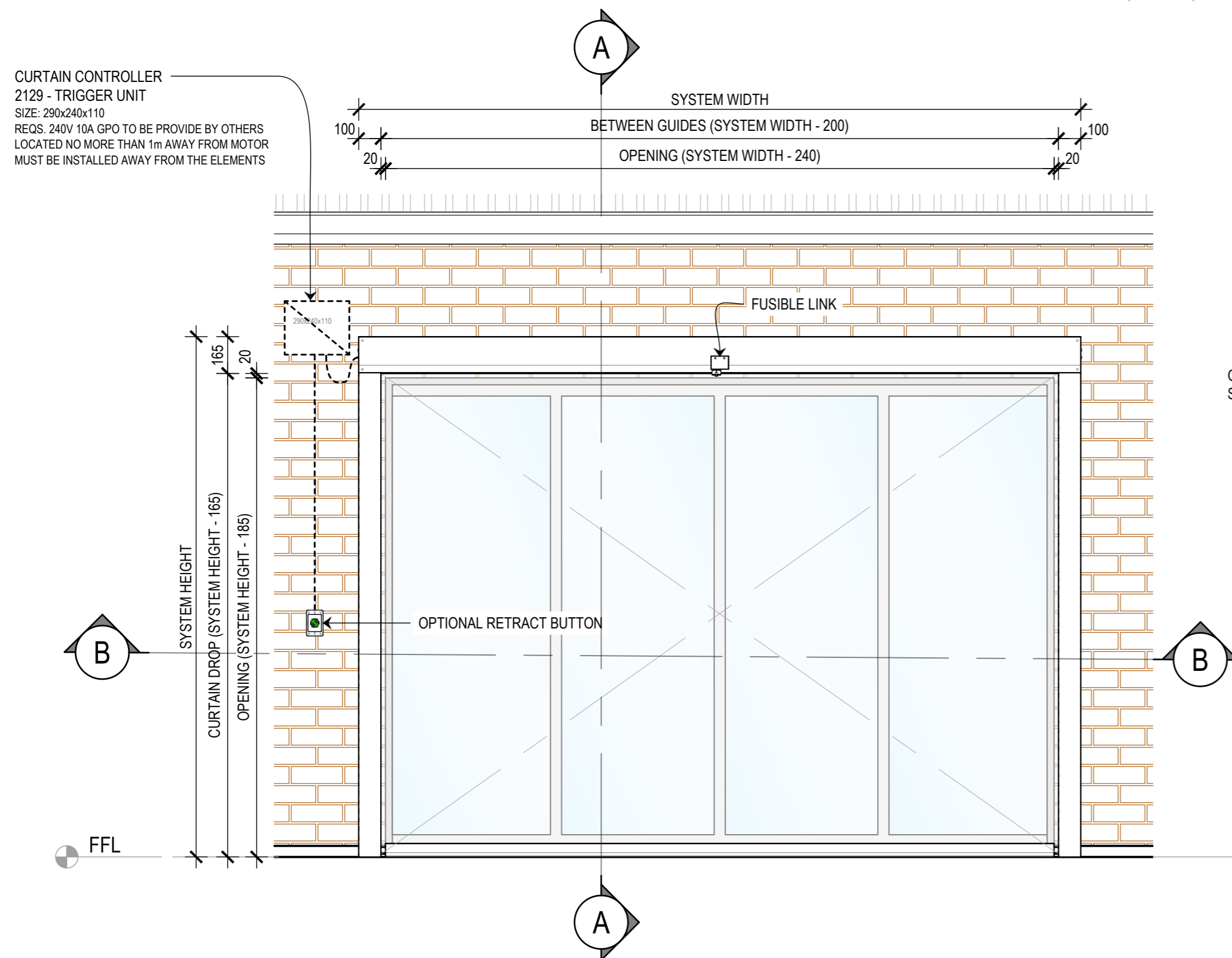
DRAWING NUMBER
SCS-FH-0103

DRAWN BY: IGOR REBENKO
 ISSUE STATUS: INFORMATION ONLY

START DATE: 16/07/2019
 SCALE: AS SHOWN @A2

FILE: SCS-SH.dwg --- PLOTTED ON 29/07/2019 BY IGOR REBENKO

<<< 594mm



CURTAIN CONTROLLER
2129 - TRIGGER UNIT
SIZE: 290x240x110
REQS. 240V 10A GPO TO BE PROVIDED BY OTHERS
LOCATED NO MORE THAN 1m AWAY FROM MOTOR
MUST BE INSTALLED AWAY FROM THE ELEMENTS

SYSTEM WIDTH
BETWEEN GUIDES (SYSTEM WIDTH - 200)
OPENING (SYSTEM WIDTH - 240)

SYSTEM HEIGHT
CURTAIN DROP (SYSTEM HEIGHT - 165)
OPENING (SYSTEM HEIGHT - 185)

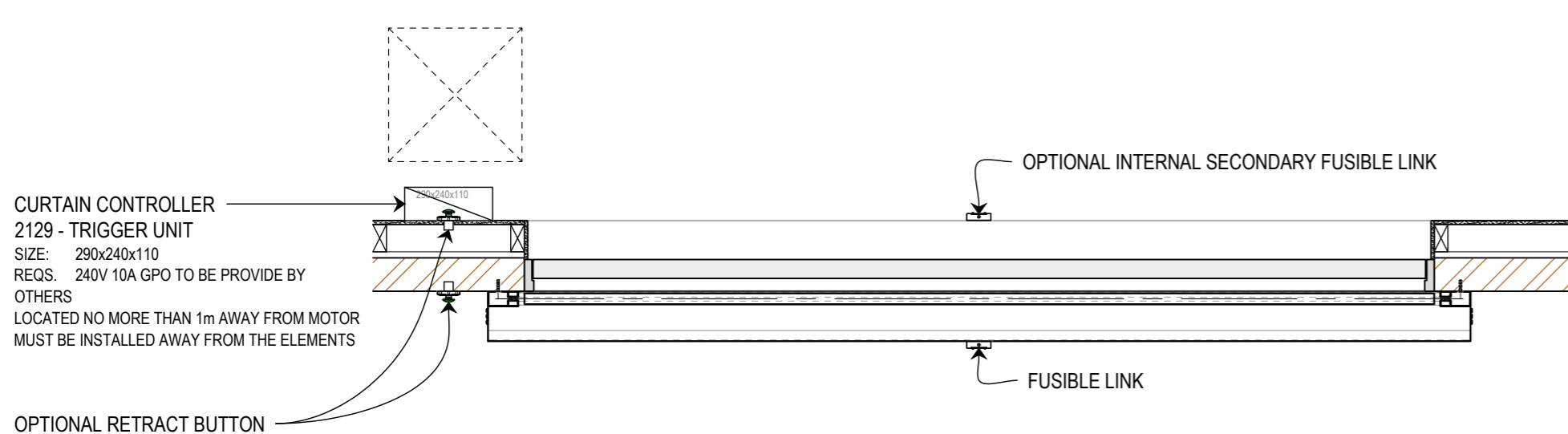
OPTIONAL RETRACT BUTTON

FUSIBLE LINK

OPTIONAL INTERNAL SECONDARY FUSIBLE LINK

1 FRONT ELEVATION
SMOKEHALT SMOKE CURTAIN - FUSIBLE LINK
SCALE 1:20 @ A2

A SIDE SECTION
SCALE 1:20 @ A2



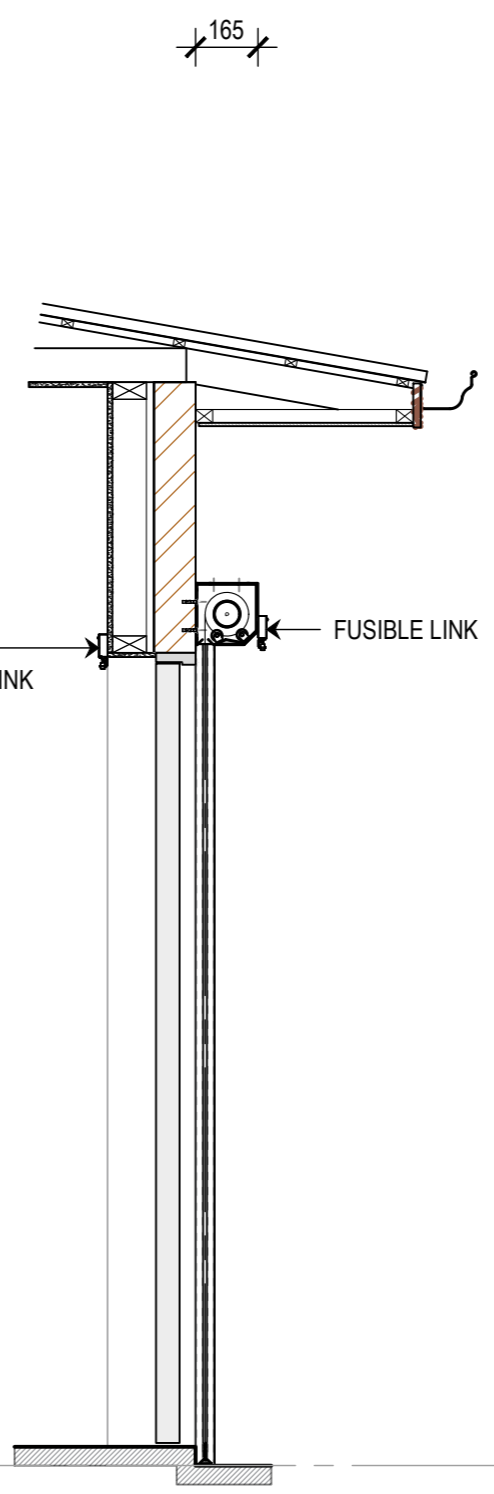
CURTAIN CONTROLLER
2129 - TRIGGER UNIT
SIZE: 290x240x110
REQS. 240V 10A GPO TO BE PROVIDED BY OTHERS
LOCATED NO MORE THAN 1m AWAY FROM MOTOR
MUST BE INSTALLED AWAY FROM THE ELEMENTS

OPTIONAL INTERNAL SECONDARY FUSIBLE LINK

FUSIBLE LINK

OPTIONAL RETRACT BUTTON

B REFLECTED PLAN
SCALE 1:20 @ A2



THIS DRAWING IS COPYRIGHT AND THE PROPERTY OF THE AUTHOR, AND MUST NOT BE RETAINED, COPIED OR USED WITHOUT THE AUTHORITY OF SMOKE CONTROL SYSTEMS PTY. LTD.
DO NOT SCALE FROM DRAWING. USE PROVIDED DIMENSIONS ONLY.
ALL DISCREPANCIES MUST BE BROUGHT TO THE ATTENTION OF AUTHOR.
SMOKE CONTROL SYSTEMS DO NOT TAKE RESPONSIBILITY OF MEASUREMENTS PROVIDED BY OTHERS.

CHK	REASON	DATE
BK	FOR INFORMATION	16/07/2019

DISCLAIMER

INFORMATION GIVEN IN SMOKECONTROL.COM.AU AND PUBLICATIONS FOR DOWNLOAD ARE GIVEN TO THE BEST OF OUR KNOWLEDGE AND IN GOOD FAITH. SMOKE CONTROL IS NOT RESPONSIBLE IF RECIPIENTS OF TEST REPORTS, ASSESSMENTS OR LITERATURE MISINTERPRET THE CONTENTS AND WRONGLY USE PRODUCTS BASED ON THOSE MISINTERPRETATIONS. NO LIABILITY IS ACCEPTED FOR ERROR OMISSIONS IN THIS WEB SITE OR OUR DOCUMENTS. IN THE INTERESTS OF IMPROVEMENTS AND CONTINUED DEVELOPMENT SMOKE CONTROL RESERVES THE RIGHT TO CHANGE SPECIFICATION WITHOUT NOTICE.

INFORMATION COPY ONLY



WWW.SMOKECONTROL.COM.AU
WWW.SMOKECONTROL.CO.NZ
WWW.SMOKECONTROL.COM
AUSTRALIAN HEADOFFICE PHONE: 1300 665 471
NEW ZEALAND PHONE: 09 300 1980
INFO@SMOKECONTROL.COM.AU INFO@SMOKECONTROL.CO.NZ

PROJECT
SCS-FH
SMOKEHALT SMOKE CURTAIN

CLIENT

TITLE
SMOKEHALT SMOKE CURTAIN
FUSIBLE LINK TRIGGER

SUB SET (CATEGORY)
01 - TYPICAL INSTALLATIONS

DRAWING NUMBER
SCS-FH-0104

DRAWN BY
IGOR REBENKO

ISSUE STATUS:
INFORMATION ONLY

START DATE
16/07/2019

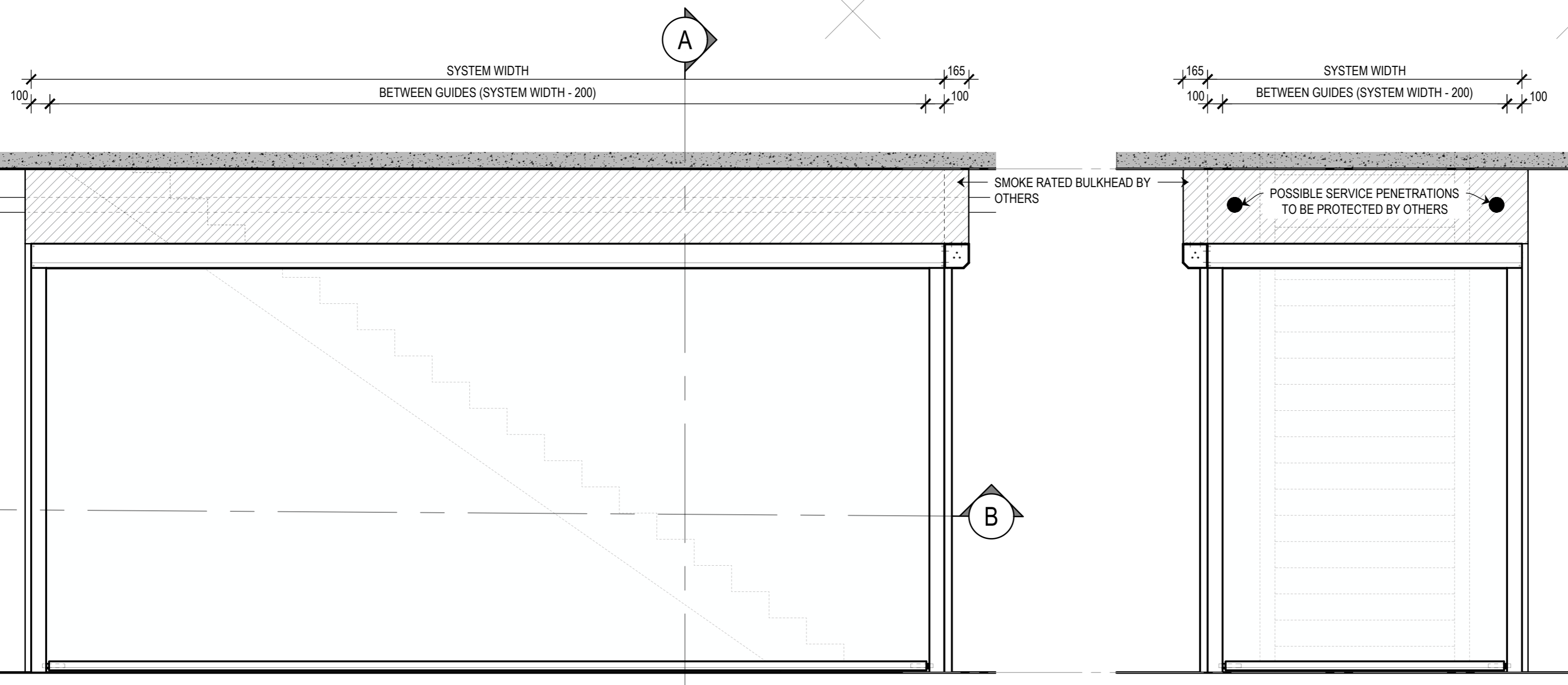
SCALE
AS SHOWN @A2

FILE: SCS-SH.dwg --- PLOTTED ON 29/07/2019 BY IGOR REBENKO

<<< 594mm

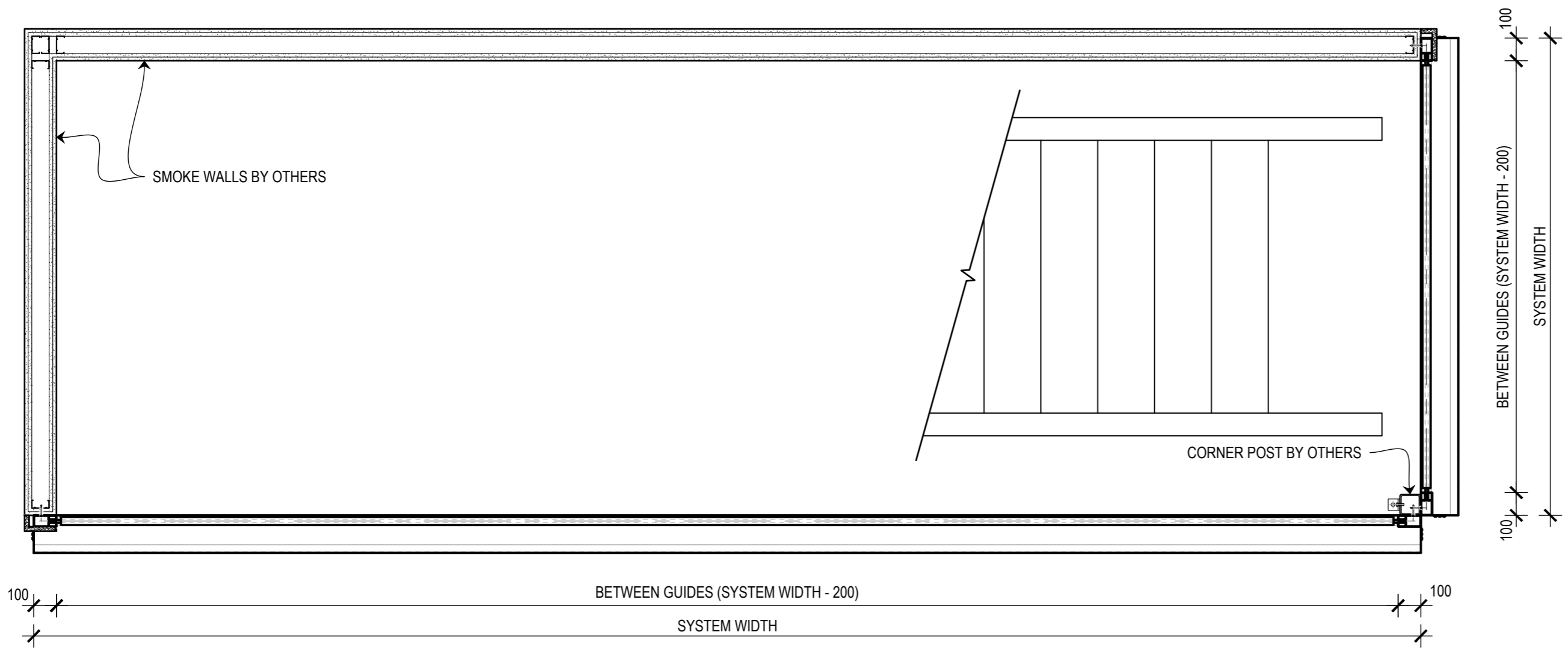
THIS DRAWING IS COPYRIGHT AND THE PROPERTY OF THE AUTHOR, AND MUST NOT BE RETAINED, COPIED OR USED WITHOUT THE AUTHORITY OF SMOKE CONTROL SYSTEMS PTY. LTD.
 DO NOT SCALE FROM DRAWING. USE PROVIDED DIMENSIONS ONLY.
 ALL DISCREPANCIES MUST BE BROUGHT TO THE ATTENTION OF AUTHOR.
 SMOKE CONTROL SYSTEMS DO NOT TAKE RESPONSIBILITY OF MEASUREMENTS PROVIDED BY OTHERS.

CHK	REASON	DATE
BK	FOR INFORMATION	16/07/2019



1 FRONT ELEVATION
SMOKEHALT SMOKE CURTAIN - INSTALLED AT CORNER
 SCALE 1:20 @ A2

A SIDE SECTION
 SCALE 1:20 @ A2



B REFLECTED PLAN
 SCALE 1:20 @ A2

DISCLAIMER
 INFORMATION GIVEN IN SMOKECONTROL.COM.AU AND PUBLICATIONS FOR DOWNLOAD ARE GIVEN TO THE BEST OF OUR KNOWLEDGE AND IN GOOD FAITH. SMOKE CONTROL IS NOT RESPONSIBLE IF RECIPIENTS OF TEST REPORTS, ASSESSMENTS OR LITERATURE MISINTERPRET THE CONTENTS AND WRONGLY USE PRODUCTS BASED ON THOSE MISINTERPRETATIONS. NO LIABILITY IS ACCEPTED FOR ERROR OMISSIONS IN THIS WEB SITE OR OUR DOCUMENTS. IN THE INTERESTS OF IMPROVEMENTS AND CONTINUED DEVELOPMENT SMOKE CONTROL RESERVES THE RIGHT TO CHANGE SPECIFICATION WITHOUT NOTICE.

INFORMATION COPY ONLY



WWW.SMOKECONTROL.COM.AU
 WWW.SMOKECONTROL.CO.NZ
 WWW.SMOKECONTROL.COM
 AUSTRALIAN HEADOFFICE PHONE: 1300 665 471
 NEW ZEALAND PHONE: 09 300 1980
 INFO@SMOKECONTROL.COM.AU INFO@SMOKECONTROL.CO.NZ

PROJECT
SCS-FH
 SMOKEHALT SMOKE CURTAIN

CLIENT

TITLE
SMOKEHALT SMOKE CURTAIN
 INSTALLED AT CORNER POST

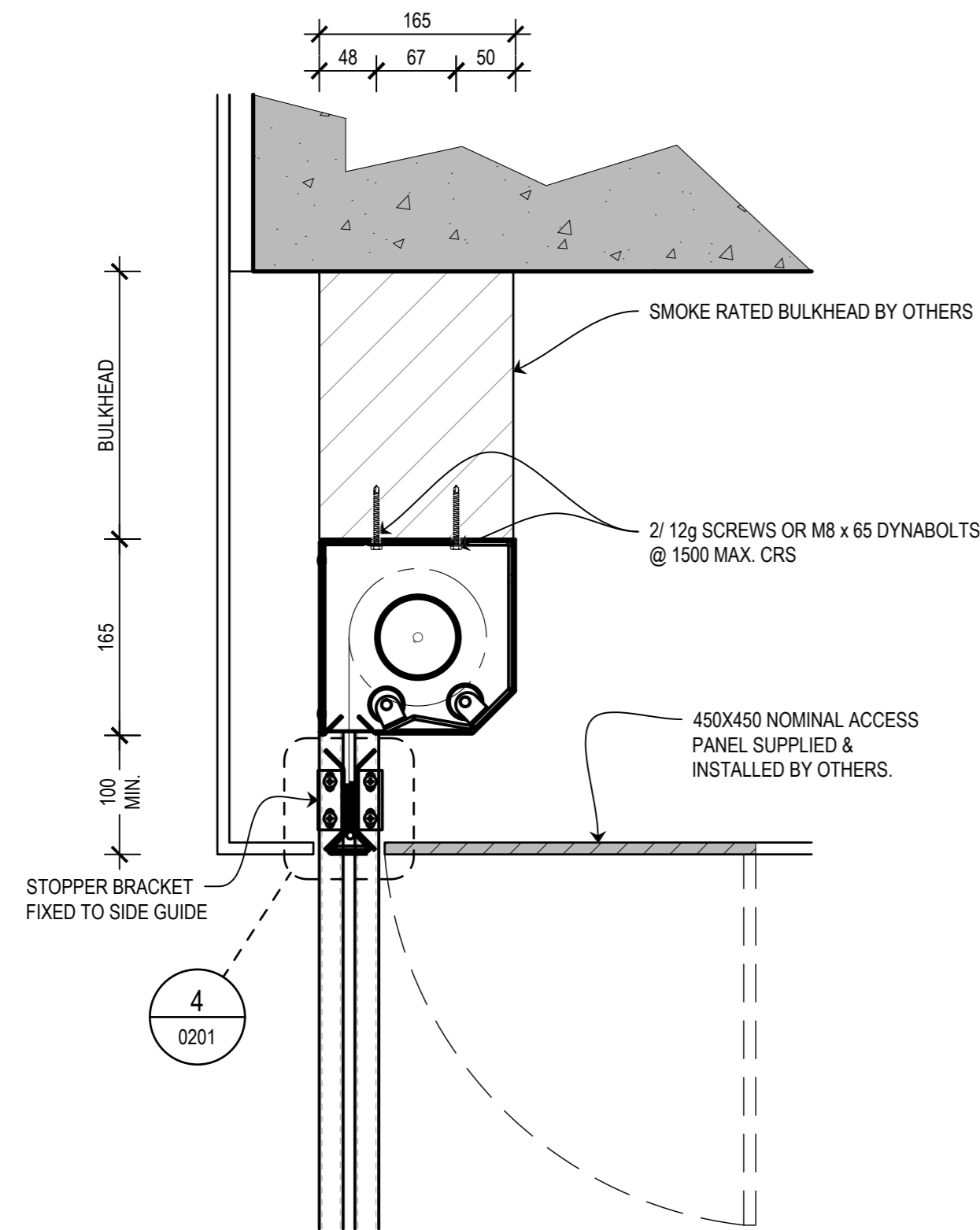
SUB SET (CATEGORY)
01 - TYPICAL INSTALLATIONS

DRAWING NUMBER
SCS-FH-0105

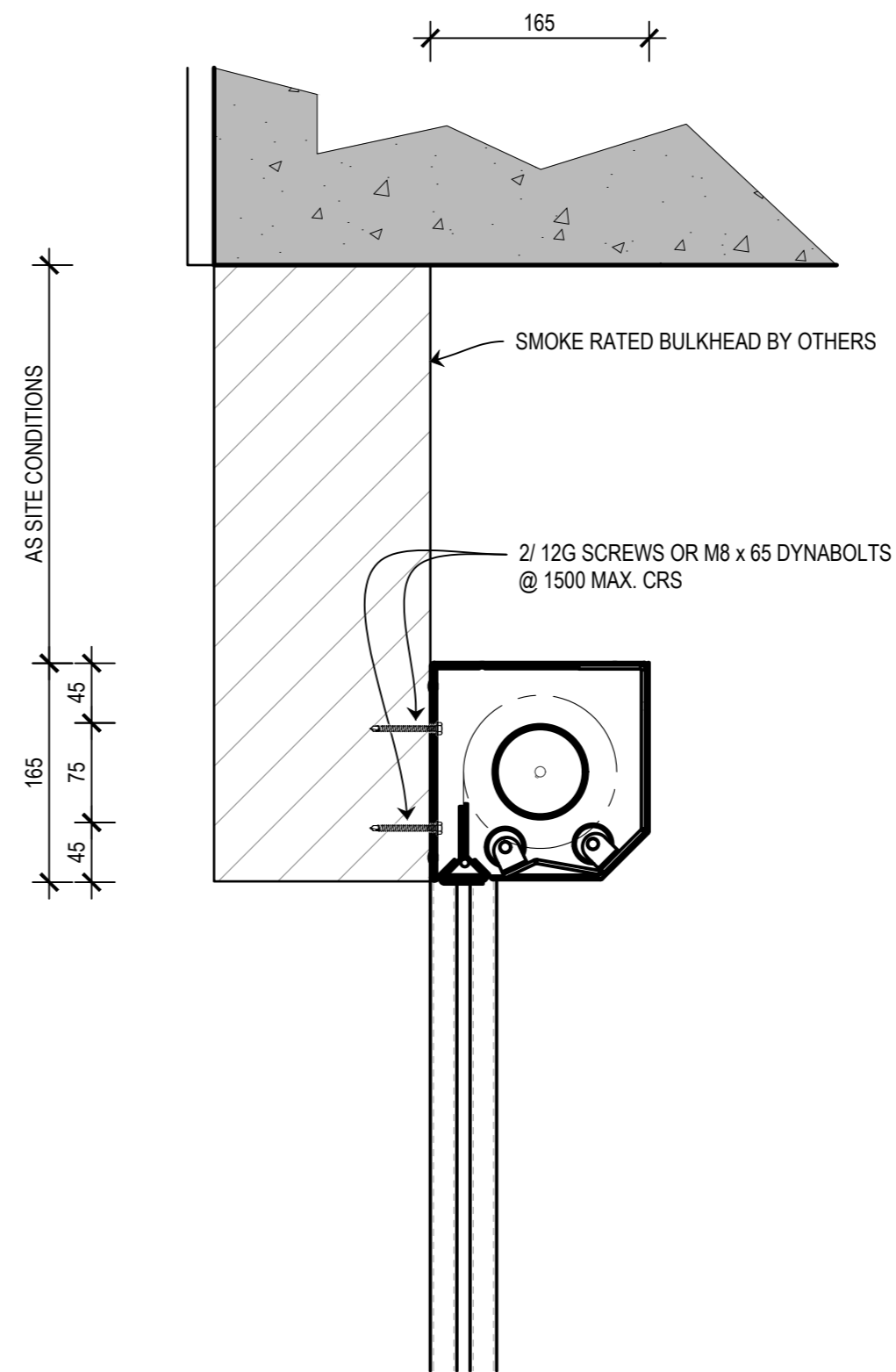
DRAWN BY IGOR REBENKO	ISSUE STATUS: INFORMATION ONLY
START DATE 16/07/2019	SCALE AS SHOWN @A2

FILE: SCS-SH.dwg --- PLOTTED ON 29/07/2019 BY IGOR REBENKO

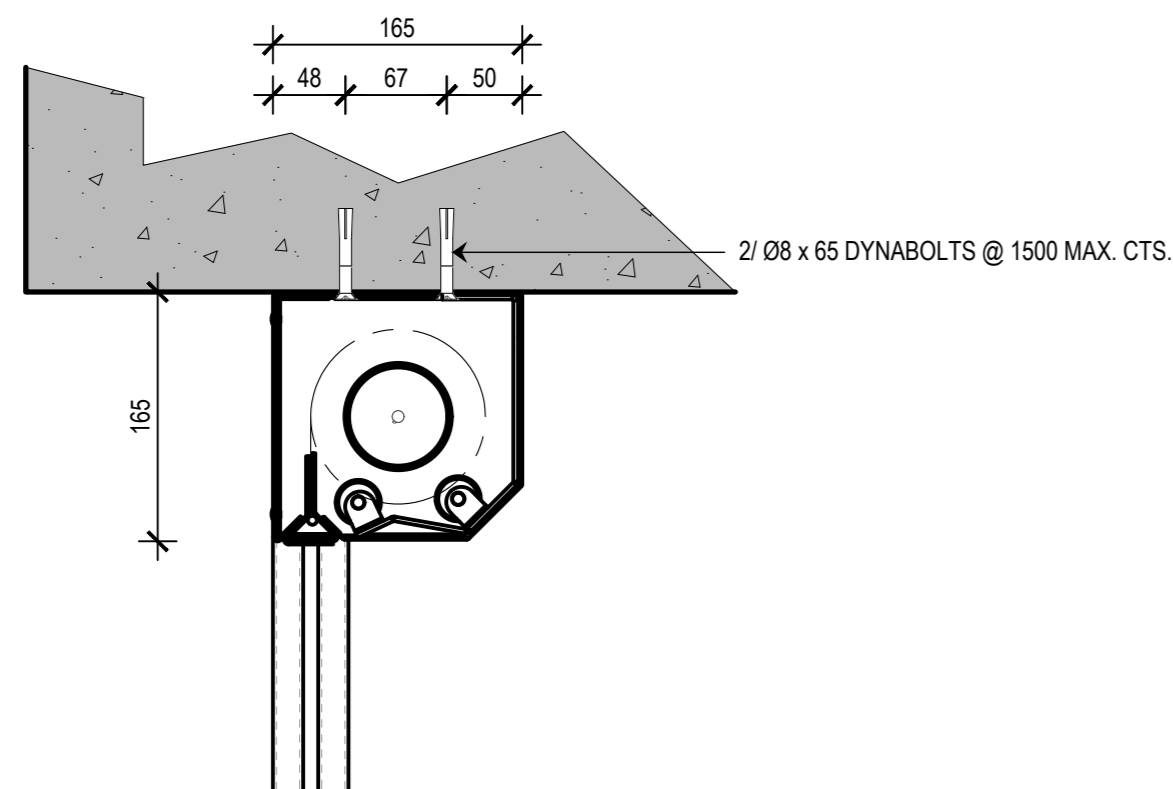
<<< 594mm



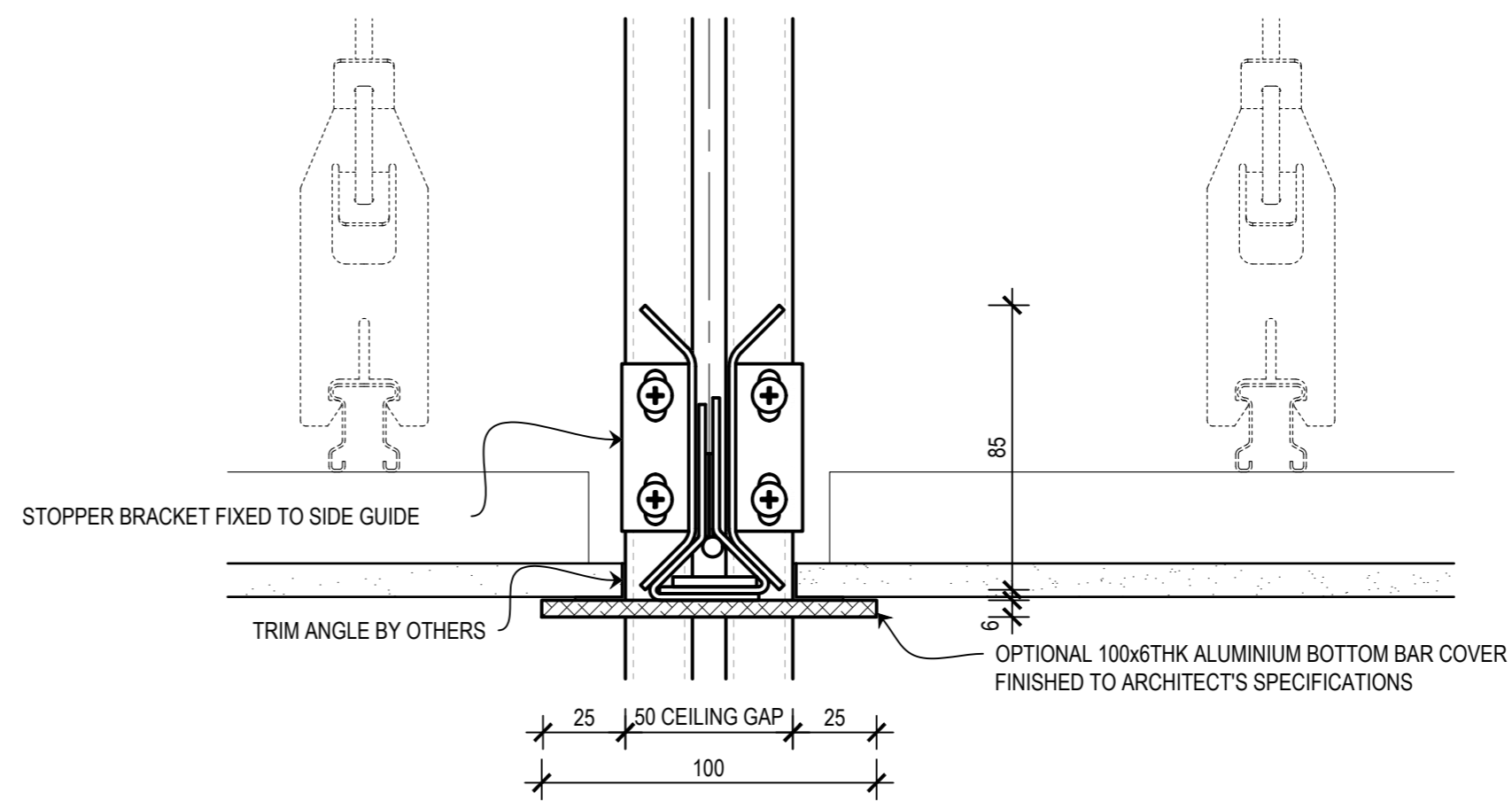
1 SIDE ELEVATION SOFFIT FIXING DETAIL
SCALE 1:5 @ A2



2 ELEVATION FACE FIXING DETAIL
SCALE 1:5 @ A2



3 SIDE ELEVATION FIXED TO SLAB
SCALE 1:5 @ A2



4 ELEVATION OPTIONAL LEVELING BOTTOM BAR
SCALE 1:2 @ A2

THIS DRAWING IS COPYRIGHT AND THE PROPERTY OF THE AUTHOR, AND MUST NOT BE RETAINED, COPIED OR USED WITHOUT THE AUTHORITY OF SMOKE CONTROL SYSTEMS PTY. LTD.
DO NOT SCALE FROM DRAWING. USE PROVIDED DIMENSIONS ONLY.
ALL DISCREPANCIES MUST BE BROUGHT TO THE ATTENTION OF AUTHOR.
SMOKE CONTROL SYSTEMS DO NOT TAKE RESPONSIBILITY OF MEASUREMENTS PROVIDED BY OTHERS.

CHK	REASON	DATE
BK	FOR INFORMATION	16/07/2019

DISCLAIMER

INFORMATION GIVEN IN SMOKECONTROL.COM.AU AND PUBLICATIONS FOR DOWNLOAD ARE GIVEN TO THE BEST OF OUR KNOWLEDGE AND IN GOOD FAITH. SMOKE CONTROL IS NOT RESPONSIBLE IF RECIPIENTS OF TEST REPORTS, ASSESSMENTS OR LITERATURE MISINTERPRET THE CONTENTS AND WRONGLY USE PRODUCTS BASED ON THOSE MISINTERPRETATIONS. NO LIABILITY IS ACCEPTED FOR ERROR OMISSIONS IN THIS WEB SITE OR OUR DOCUMENTS. IN THE INTERESTS OF IMPROVEMENTS AND CONTINUED DEVELOPMENT SMOKE CONTROL RESERVES THE RIGHT TO CHANGE SPECIFICATION WITHOUT NOTICE.

INFORMATION COPY ONLY



WWW.SMOKECONTROL.COM.AU
WWW.SMOKECONTROL.CO.NZ
WWW.SMOKECONTROL.COM
AUSTRALIAN HEADOFFICE PHONE: 1300 665 471
NEW ZEALAND PHONE: 09 300 1980
INFO@SMOKECONTROL.COM.AU INFO@SMOKECONTROL.CO.NZ

PROJECT
SCS-FH
SMOKEHALT SMOKE CURTAIN

CLIENT

TITLE
HEAD BOX INSTALLATION TYPES

SUB SET (CATEGORY)
02 - DETAILS

DRAWING NUMBER
SCS-FH-0201

DRAWN BY
IGOR REBENKO

ISSUE STATUS:
INFORMATION ONLY

START DATE
16/07/2019

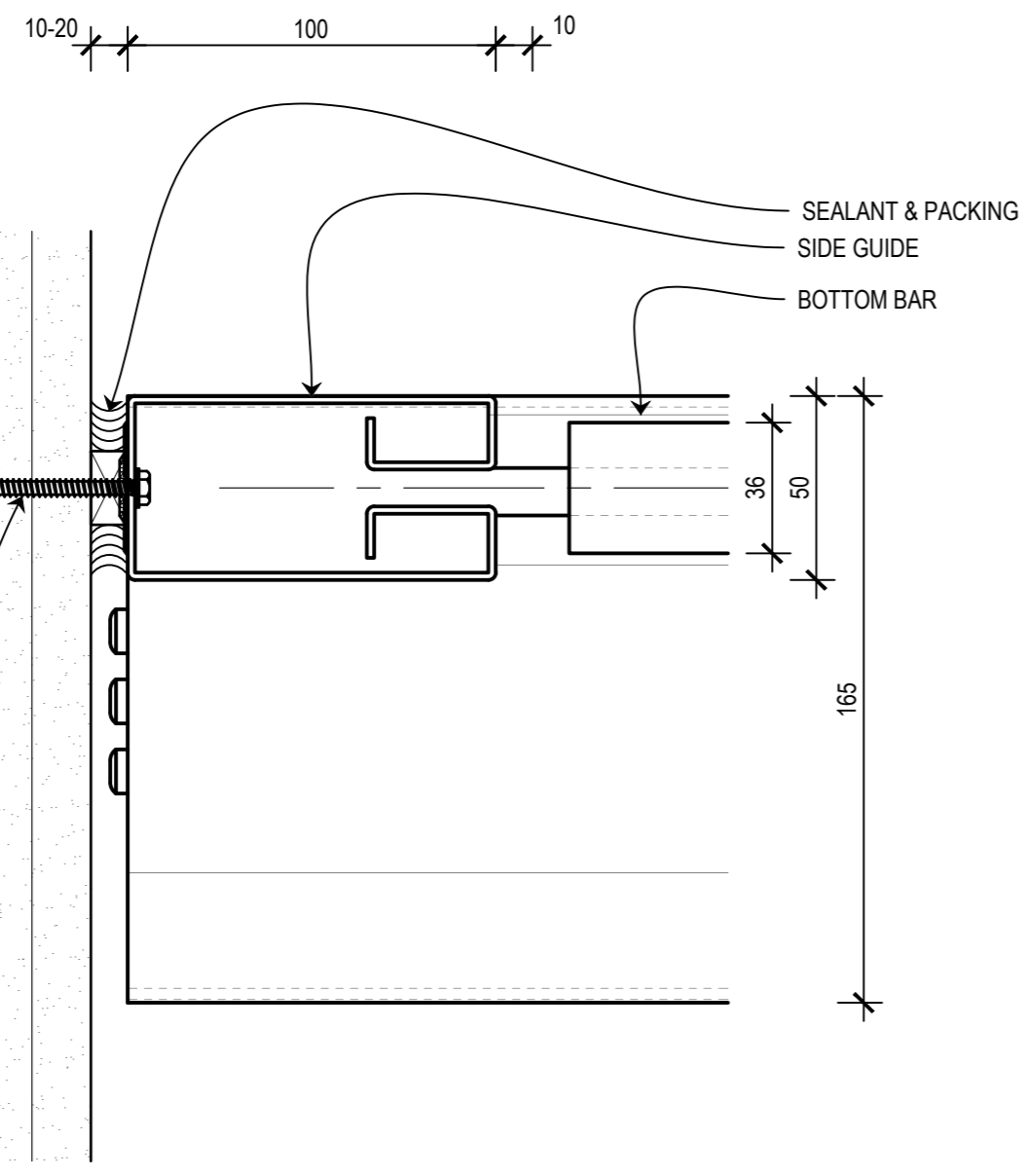
SCALE
AS SHOWN @A2

FILE: SCS-SH.dwg --- PLOTTED ON 29/07/2019 BY IGOR REBENKO

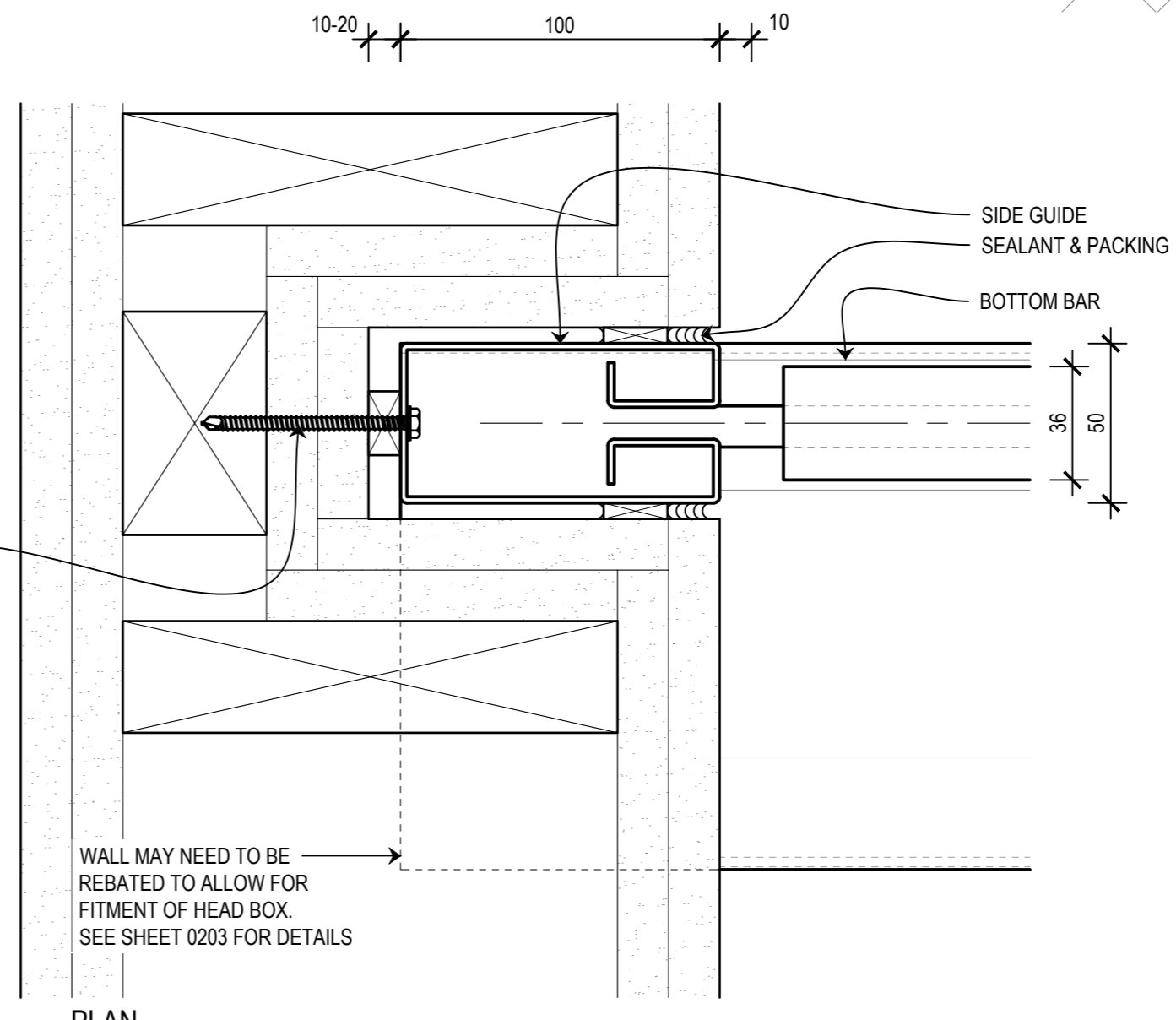
<<< 594mm

THIS DRAWING IS COPYRIGHT AND THE PROPERTY OF THE AUTHOR, AND MUST NOT BE RETAINED, COPIED OR USED WITHOUT THE AUTHORITY OF SMOKE CONTROL SYSTEMS PTY. LTD.
 DO NOT SCALE FROM DRAWING. USE PROVIDED DIMENSIONS ONLY.
 ALL DISCREPANCIES MUST BE BROUGHT TO THE ATTENTION OF AUTHOR.
 SMOKE CONTROL SYSTEMS DO NOT TAKE RESPONSIBILITY OF MEASUREMENTS PROVIDED BY OTHERS.

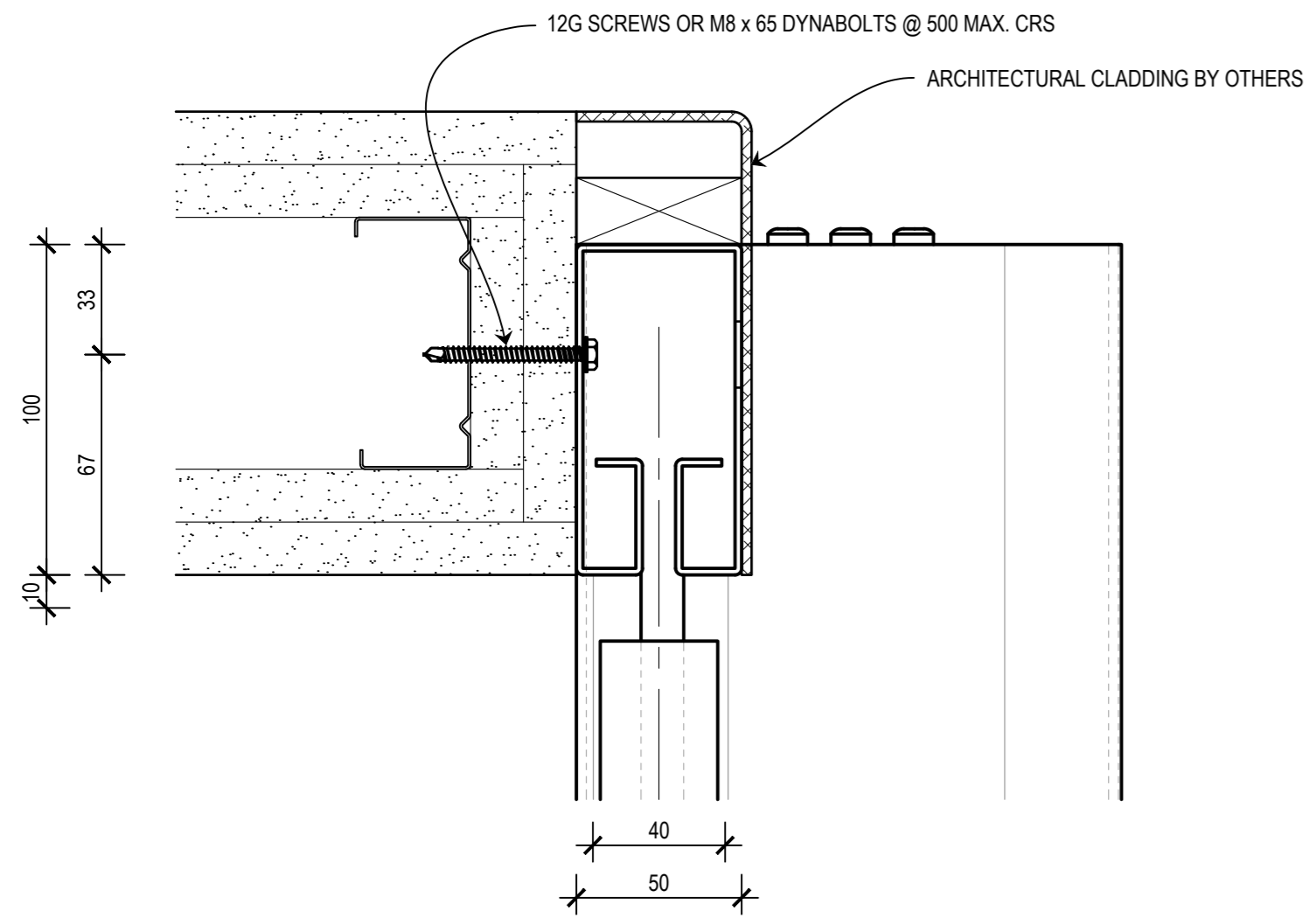
CHK	REASON	DATE
- BK	FOR INFORMATION	16/07/2019



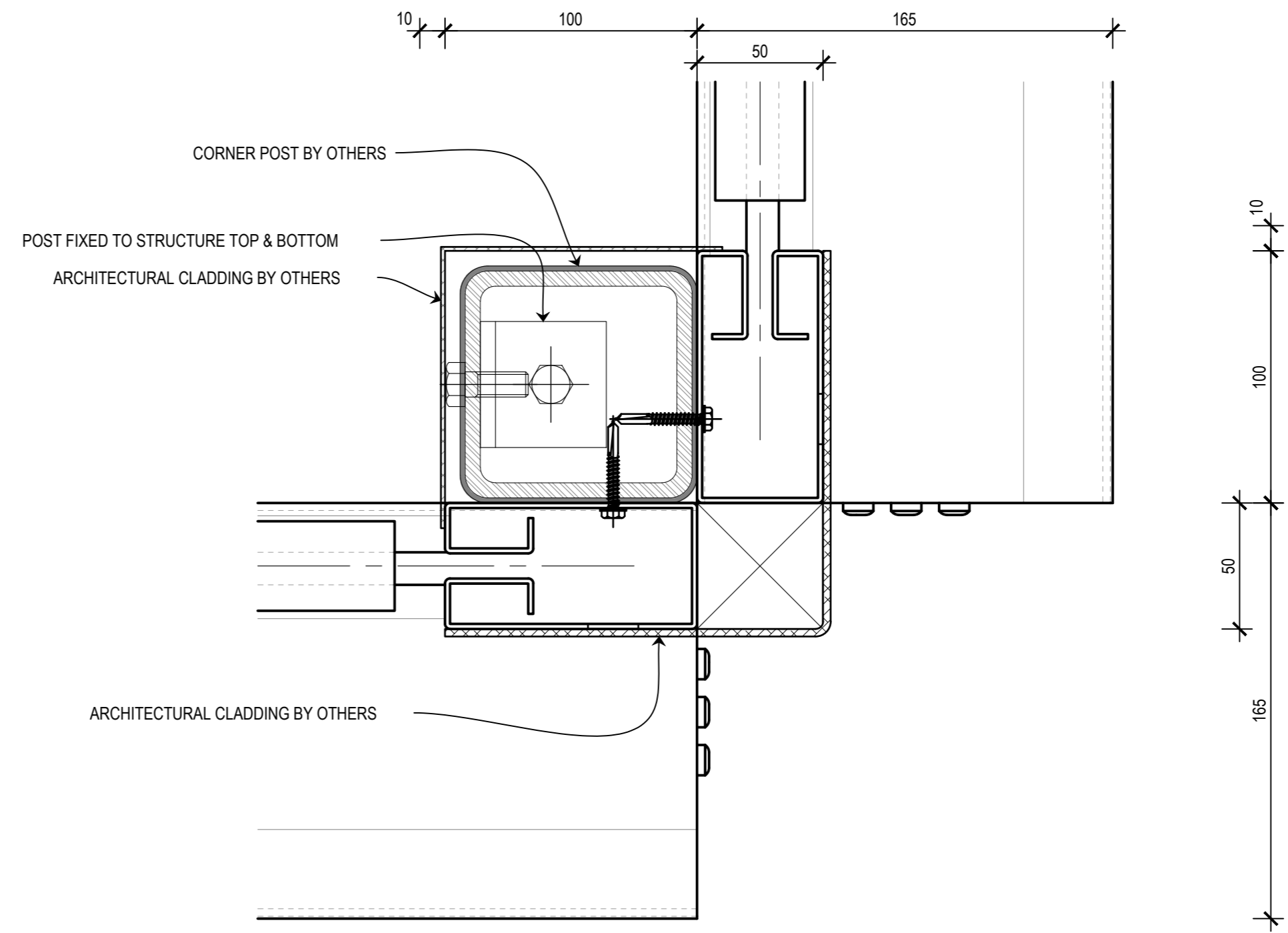
1 PLAN TOE FIXED SIDE GUIDE
SCALE 1:2 @ A2



2 PLAN REBATED SIDE GUIDE
SCALE 1:2 @ A2



3 PLAN FACE FIXED SIDE GUIDE
SCALE 1:2 @ A2



4 PLAN 90° POST DETAIL
SCALE 1:2 @ A2

DISCLAIMER
 INFORMATION GIVEN IN SMOKECONTROL.COM.AU AND PUBLICATIONS FOR DOWNLOAD ARE GIVEN TO THE BEST OF OUR KNOWLEDGE AND IN GOOD FAITH. SMOKE CONTROL IS NOT RESPONSIBLE IF RECIPIENTS OF TEST REPORTS, ASSESSMENTS OR LITERATURE MISINTERPRET THE CONTENTS AND WRONGLY USE PRODUCTS BASED ON THOSE MISINTERPRETATIONS. NO LIABILITY IS ACCEPTED FOR ERROR OMISSIONS IN THIS WEB SITE OR OUR DOCUMENTS. IN THE INTERESTS OF IMPROVEMENTS AND CONTINUED DEVELOPMENT SMOKE CONTROL RESERVES THE RIGHT TO CHANGE SPECIFICATION WITHOUT NOTICE.

INFORMATION COPY ONLY



WWW.SMOKECONTROL.COM.AU
 WWW.SMOKECONTROL.CO.NZ
 WWW.SMOKECONTROL.COM
 AUSTRALIAN HEADOFFICE PHONE: 1300 665 471
 INFO@SMOKECONTROL.COM.AU
 NEW ZEALAND PHONE: 09 300 1980
 INFO@SMOKECONTROL.CO.NZ

PROJECT
 SCS-FH
 SMOKEHALT SMOKE CURTAIN

CLIENT

TITLE
 SIDE GUIDE INSTALLATION TYPES

SUB SET (CATEGORY)
 02 - DETAILS

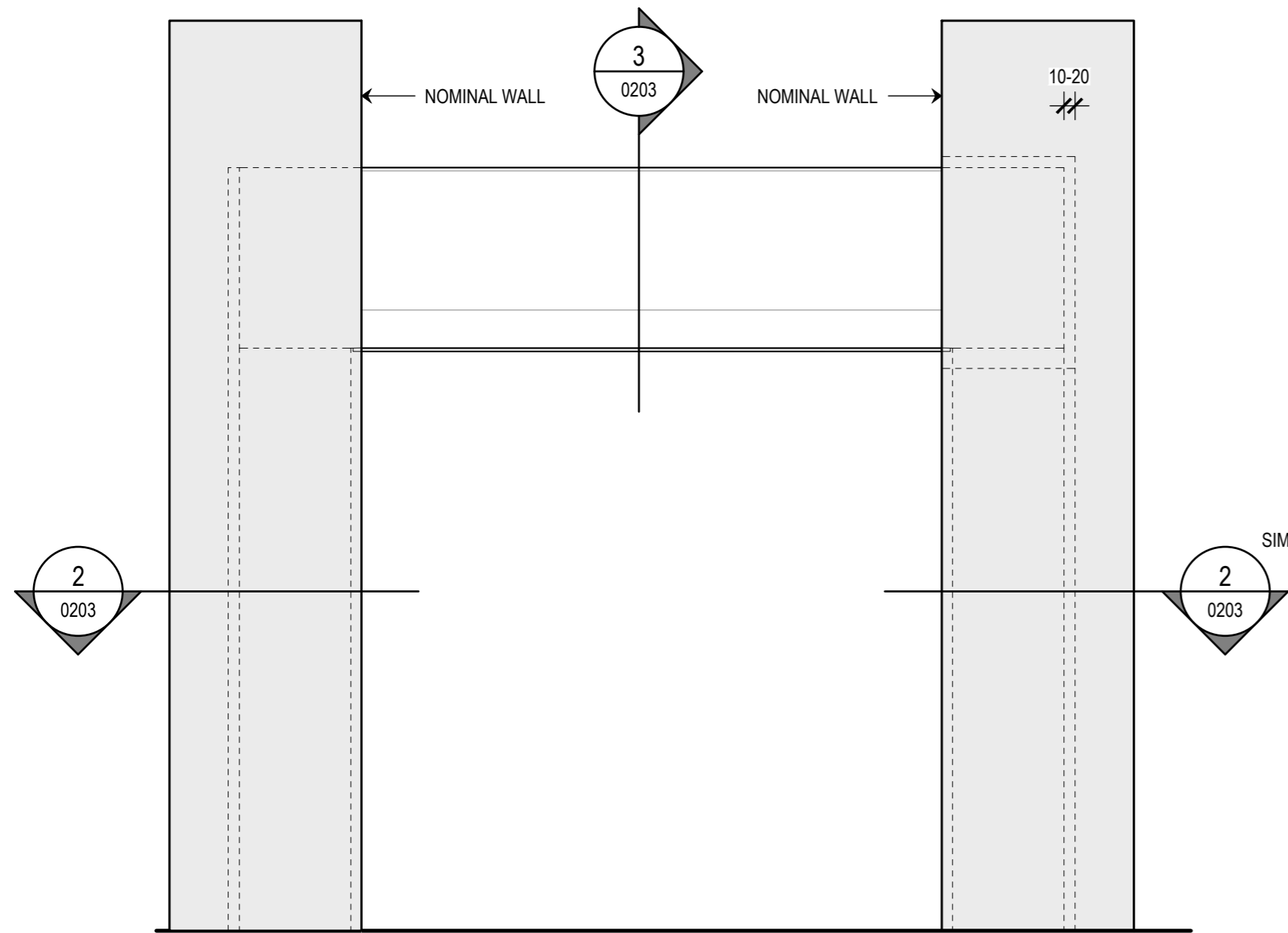
DRAWING NUMBER
 SCS-FH-0202

DRAWN BY
 IGOR REBENKO
 ISSUE STATUS:
 INFORMATION ONLY

START DATE
 16/07/2019
 SCALE
 AS SHOWN @A2

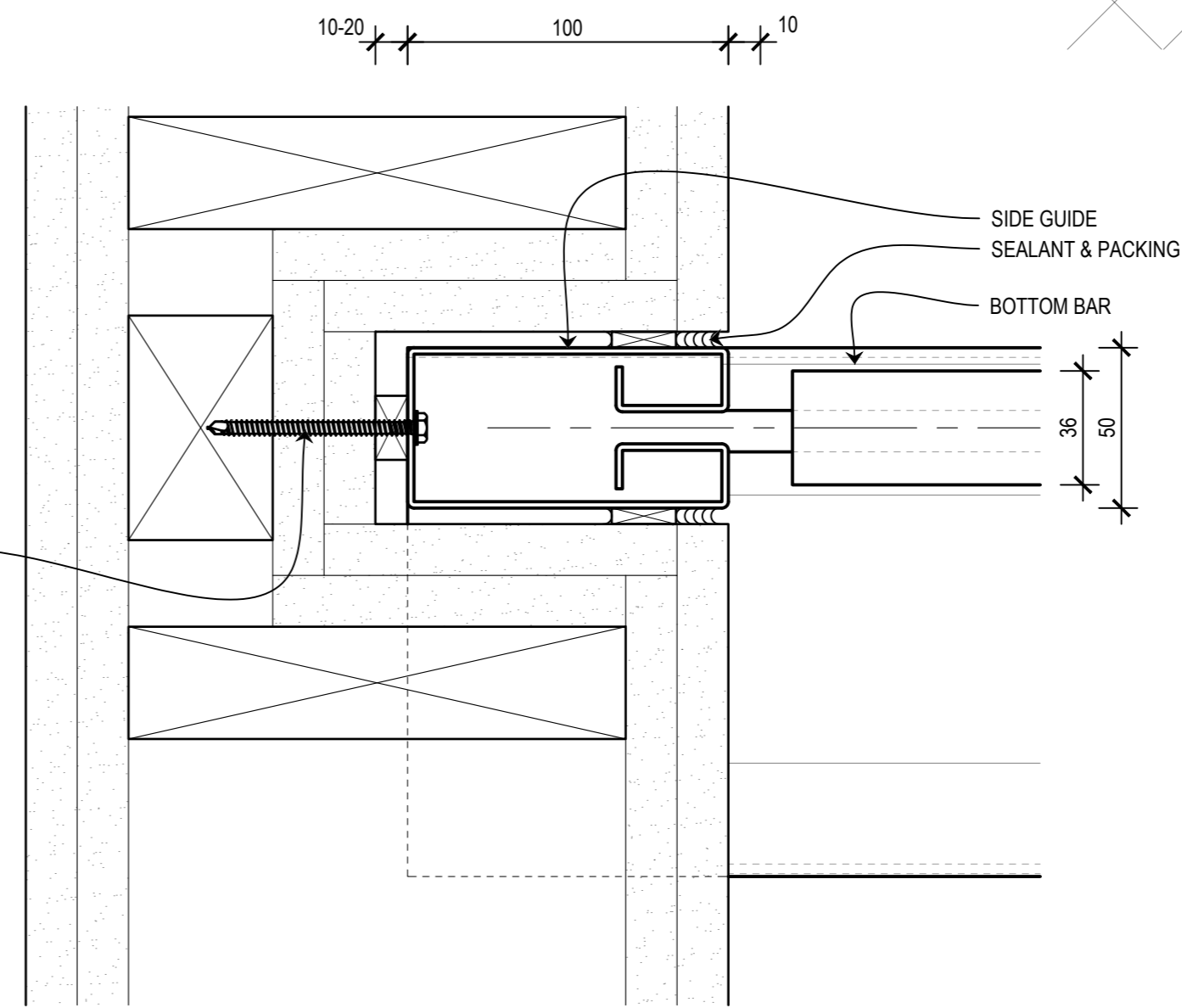
FILE: SCS-SH.dwg --- PLOTTED ON 29/07/2019 BY IGOR REBENKO

<<< 594mm

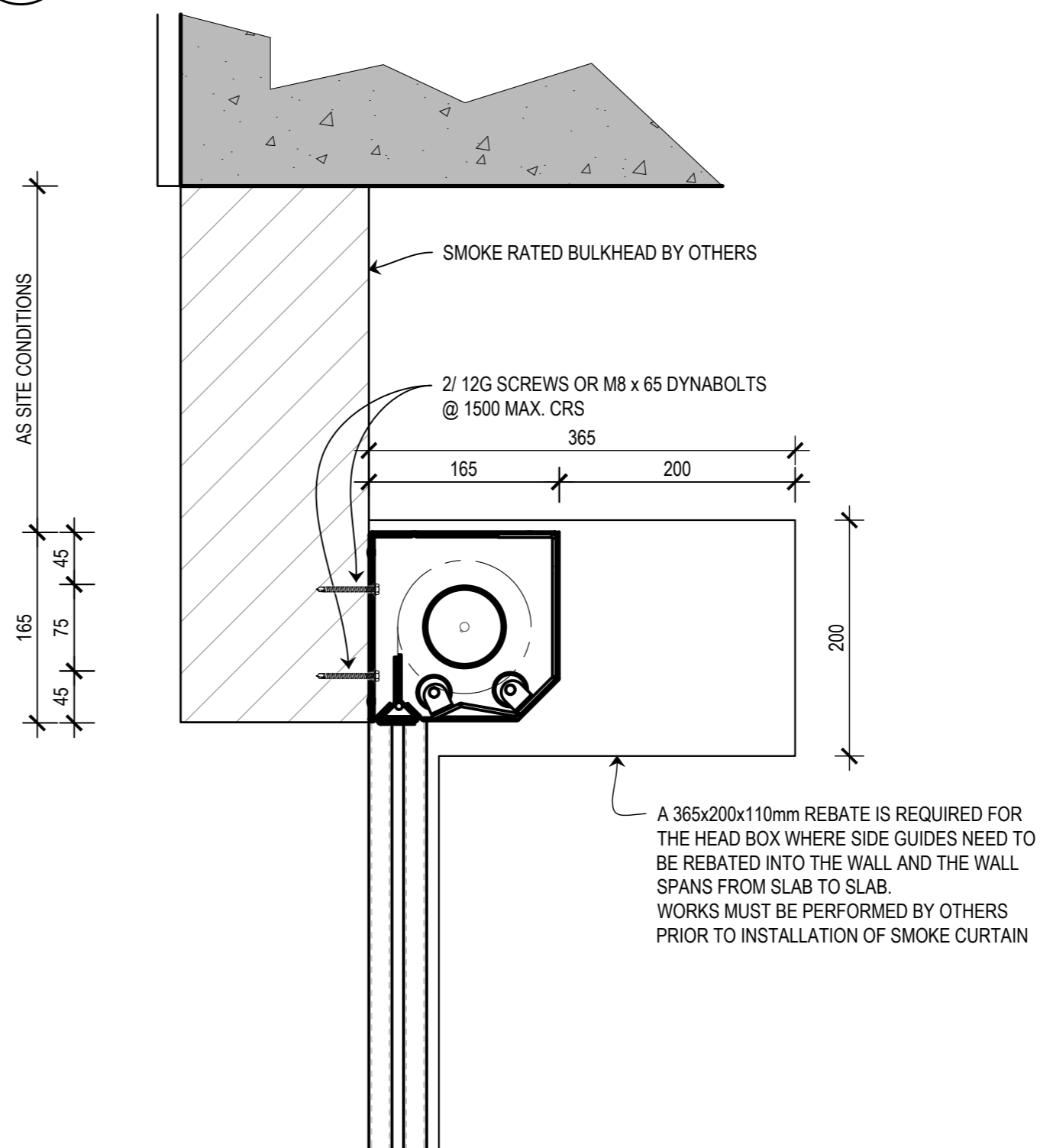


1 FRONT ELEVATION
SMOKEHALT SMOKE CURTAIN - REBATED
SCALE 1:20 @ A2

12G SCREWS OR M8 x 65 DYNABOLTS @ 500 MAX. CRS



2 PLAN
REBATED SIDE GUIDE
SCALE 1:2 @ A2



3 ELEVATION
REBATE DETAIL
SCALE 1:5 @ A2

THIS DRAWING IS COPYRIGHT AND THE PROPERTY OF THE AUTHOR, AND MUST NOT BE RETAINED, COPIED OR USED WITHOUT THE AUTHORITY OF SMOKE CONTROL SYSTEMS PTY. LTD.
DO NOT SCALE FROM DRAWING. USE PROVIDED DIMENSIONS ONLY.
ALL DISCREPANCIES MUST BE BROUGHT TO THE ATTENTION OF AUTHOR.
SMOKE CONTROL SYSTEMS DO NOT TAKE RESPONSIBILITY OF MEASUREMENTS PROVIDED BY OTHERS.

CHK	REASON	DATE
BK	FOR INFORMATION	16/07/2019

DISCLAIMER

INFORMATION GIVEN IN SMOKECONTROL.COM.AU AND PUBLICATIONS FOR DOWNLOAD ARE GIVEN TO THE BEST OF OUR KNOWLEDGE AND IN GOOD FAITH. SMOKE CONTROL IS NOT RESPONSIBLE IF RECIPIENTS OF TEST REPORTS, ASSESSMENTS OR LITERATURE MISINTERPRET THE CONTENTS AND WRONGLY USE PRODUCTS BASED ON THOSE MISINTERPRETATIONS. NO LIABILITY IS ACCEPTED FOR ERROR OMISSIONS IN THIS WEB SITE OR OUR DOCUMENTS. IN THE INTERESTS OF IMPROVEMENTS AND CONTINUED DEVELOPMENT SMOKE CONTROL RESERVES THE RIGHT TO CHANGE SPECIFICATION WITHOUT NOTICE.

INFORMATION COPY ONLY



WWW.SMOKECONTROL.COM.AU
WWW.SMOKECONTROL.CO.NZ
WWW.SMOKECONTROL.COM
AUSTRALIAN HEADOFFICE PHONE: 1300 665 471
NEW ZEALAND PHONE: 09 300 1980
INFO@SMOKECONTROL.COM.AU INFO@SMOKECONTROL.CO.NZ

PROJECT
SCS-FH
SMOKEHALT SMOKE CURTAIN

CLIENT

TITLE
HEAD BOX AND SIDE GUIDE
REBATE DETAIL

SUB SET (CATEGORY)
02 - DETAILS

DRAWING NUMBER
SCS-FH-0203

DRAWN BY
IGOR REBENKO

ISSUE STATUS:
INFORMATION ONLY

START DATE
16/07/2019

SCALE
AS SHOWN @A2

FILE: SCS-SH.dwg --- PLOTTED ON 29/07/2019 BY IGOR REBENKO

<<< 594mm