

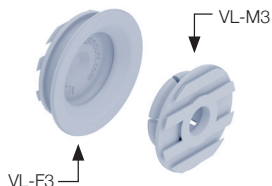
# VERY LOW PROFILE VL RANGE

## VL-03 & VL-03H PRODUCT GUIDE

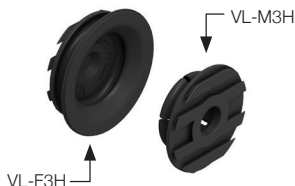
### VL-03 & VL-03H Very Low Profile Clip Set

The VL-03 and VL-03H are ideal for mounting ceiling and wall panels in areas with minimal frame and panel thickness. The VL-03 and VL-03H clip sets use the patented SuperGroove® system to mechanically engage into adhesive. Screw or adhesive combinations can be used. Refer to Panel Offset Guide for gap between substrate and panel, pull out and shear loads.

**VL-03** 5kg



**VL-03H** 10kg



#### MATERIAL:

Light Grey Acetal copolymer  
Black Shinitite

#### MORE INFO:

Installation Guide VL-03  
Clip Layout Guide TD-02, 08, 09  
Panel Offset Guide

#### BENEFITS

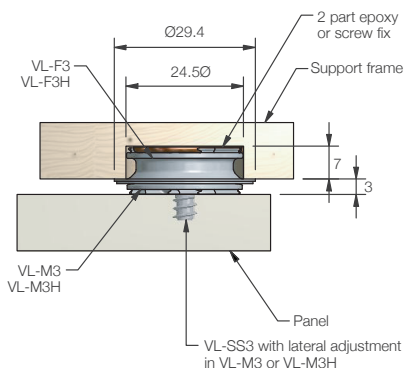
- Self-aligning secure mounting
- Installation requires no special tools or skilled labour
- Uses a range of adhesives to suit the customer
- Fast installation
- 5kg or 10kg pull out load
- Clip lead in for easy fitting
- Can be screw fixed with lateral adjustment, or glue fixed

#### APPLICATIONS

- Areas with minimal clearance
- Inspection panels
- Soft or honeycomb cored panels with thin facings
- Mounting panels where no drilling is preferred

**INSTALLATION:** Partially exploded through section showing typical installation method

Through section showing recessed installation



Through section showing surface mounted adhesive installation

