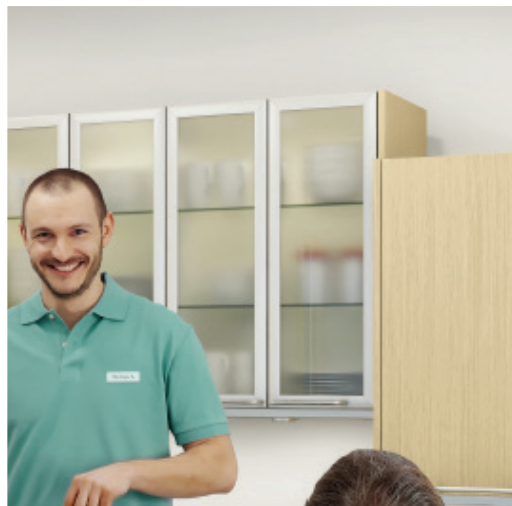




Adjustable Kitchens

- For People With Reduced Mobility
- Enables Everyone To Participate
- Manual & Electrical Height Adjustment
- Wall Mounted – Suits All Users
- Freestanding – Suitable For Dining Or Workstation
- Lifts For Wall Mounted Cabinets



**MACDONALD
INDUSTRIES LIMITED**

We usually make decisions to use a particular company because we feel good about them, trust in what they say, and believe that they can provide us with what we need.

If you haven't considered using a Pressalit product before, we hope the following will make you think you should. With an international exposure creating adjustable kitchen and workspace solutions for disability, including over 10 years working in the Australasian sector, we feel confident that our skill set is well above average.

We're constantly seeking a better understanding of topical issues like mobility impairment, because this is an expression of our company's desire to be genuinely acquainted with the demands that others need to satisfy, whilst broadening our own knowledge base.

You don't get a positive reputation by doing nothing, so we've got ours from working on over 100 educational, health and home modification projects around Australia and New Zealand, designed & constructed by the most respected architectural firms and builders who dominate this arena.

All the products we make are inspired by Pressalit's Danish design heritage dating back to 1954, confirming we always deliver solutions that offer form, function and stylish aesthetic appearances. This approach has been endorsed by the numerous European awards we've won on a regular basis for innovation.

Our aim is to supply appropriate product solutions that achieve better outcomes for all. It's part of what we do daily, understanding that all people are different, with varying abilities that continue to change as we move through life. Pressalit always seek to fit their product solutions to the actual person, and not default to a preconceived one size fits all mentality.

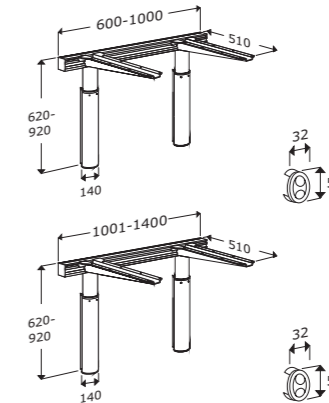
Should you have a need to talk with Pressalit directly in New Zealand, you can email us on sales@macdonaldindustries.co.nz or phone **09 624 1115**.

An electric height-adjustable benchtop is ideal in all situations where various users – both seated and standing – use the same benchtop. This is the most common design preference in schools and rehabilitation facilities.

- Height of the benchtop is adjusted via a switch that can be placed wherever you want.
- Benchtops can be adjusted in height over a range of 300 mm.
- We can manufacture a height adjustable frame up to a maximum length of 3000mm.
- All our height adjustable electrically operated frames can lift 150 kg.

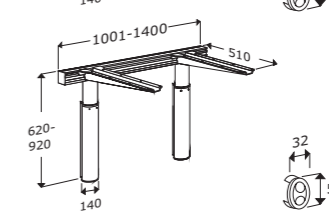


RK1210202 Electric lift for worktop, 600 - 1000 mm.
Height-adjustable 300 mm.
Including 2 telescopic legs, 2 brackets, cross brace and switch.



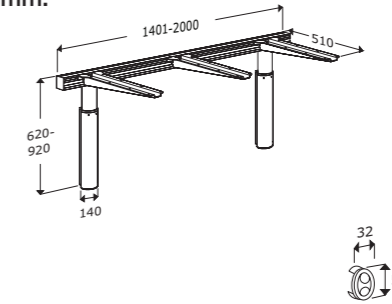
RK1210202

RK1211202 Electric lift for worktop, 1001 - 1400 mm.
Height-adjustable 300 mm.
Including 2 telescopic legs, 2 brackets, cross brace and switch.



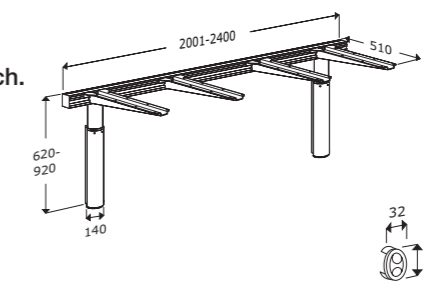
RK1211202

RK1212202 Electric lift for worktop, 1401 - 2000 mm.
Height-adjustable 300 mm.
Including 2 telescopic legs, 3 brackets, cross brace and switch.



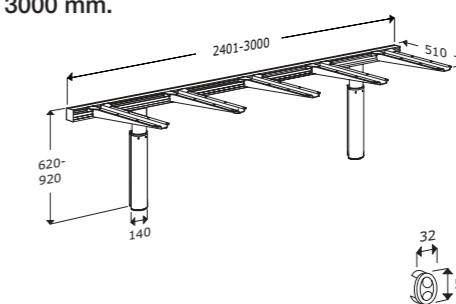
RK1212202

RK1213202 Electric lift for worktop, 2001 - 2400 mm.
Height-adjustable 300 mm.
Including 2 telescopic legs, 4 brackets, cross brace and switch.



RK1213202

RK1214202 Electric lift for worktop, 2401 - 3000 mm.
Height-adjustable 300 mm.
Including 2 telescopic legs, 5 brackets, cross brace and switch.



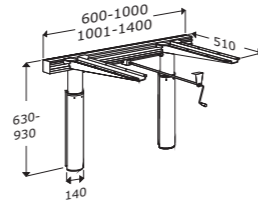
RK1214202

MANUAL HEIGHT ADJUSTMENT – WALL MOUNTED

A manually height-adjustable benchtop is the budget solution for designs catering to both seated and standing users. These are most commonly used in areas which do not require frequent, daily adjustment.

- Height of the benchtop is adjusted via crank handle that can be placed wherever you want.
- Benchtops can be adjusted in height over a range of 300 mm.
- We can manufacture a height adjustable frame up to a maximum length of 3000 mm.
- All our height adjustable frames can lift 100 kg.

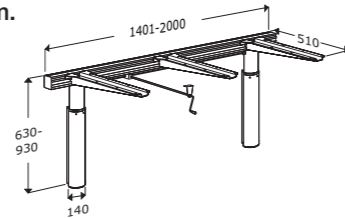
RK1110 Manual lift for worktop, 600 - 1000 mm.
Height-adjustable 300 mm.
Including 2 telescopic legs, 2 brackets, cross brace and crank handle.



RK1110

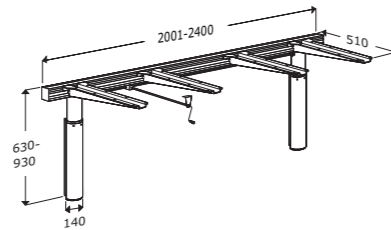
RK1111 Manual lift for worktop, 1001 - 1400 mm.
Height-adjustable 300 mm.
Including 2 telescopic legs, 2 brackets, cross brace and crank handle.

RK1112 Manual lift for worktop, 1401 - 2000 mm.
Height-adjustable 300 mm.
Including 2 telescopic legs, 3 brackets, cross brace and crank handle.



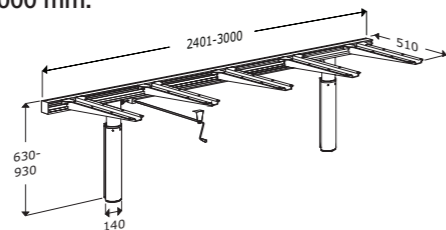
RK1112

RK1113 Manual lift for worktop, 2001 - 2400 mm.
Height-adjustable 300 mm.
Including 2 telescopic legs, 4 brackets, cross brace and crank handle.



RK1113

RK1114 Manual lift for worktop, 2401 - 3000 mm.
Height-adjustable 300 mm.
Including 2 telescopic legs, 5 brackets, cross brace and crank handle.



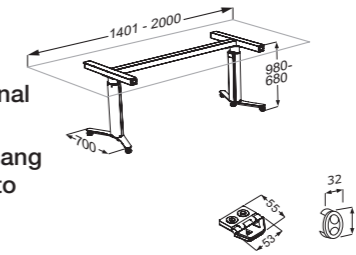
RK1114

ELECTRICAL HEIGHT ADJUSTMENT – FREESTANDING

A freestanding electric solution is a flexible work or dining table where the height of the worktop can be quickly and easily adjusted to the given user or situation. In addition to this a freestanding frame can be used where the walls are not strong enough to support our wall mounted models.

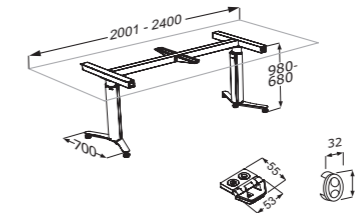
- Height of the freestanding benchtop is adjusted via a switch that can be placed wherever you want.
- Benchtops can be adjusted in height over a range of 300 mm.
- The design of the legs and feet make the table stable and secure.
- It is possible to use the benchtop from all sides in a wheelchair.
- All our height adjustable frames can lift 100kg.
- Benchtops can be up to 3000 mm long and between 700-1000 mm wide.

RK1081-92 Electric lift for freestanding worktop.
For worktops from 1400 - 2000 mm.
Height-adjustable 300 mm.
Including 2 telescopic legs, longitudinal and cross braces and switch.



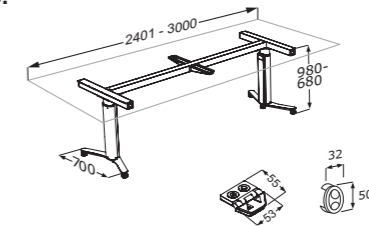
RK1081-92

RK1082-92 Electric lift for freestanding worktop.
For worktops from 2001 - 2400 mm.
Height-adjustable 300 mm.
Including 2 telescopic legs, 2 brackets, longitudinal and cross braces and switch.



RK1082-92

RK1083-92 Electric lift for freestanding worktop.
For worktops from 2401 - 3000 mm.
Height-adjustable 300 mm.
Including 2 telescopic legs, 2 brackets, longitudinal and cross braces and switch.



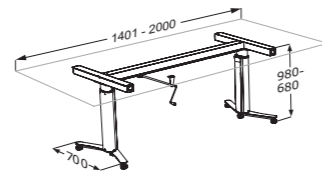
RK1083-92

MANUAL HEIGHT ADJUSTMENT – FREESTANDING

A freestanding manual solution is a flexible work or dining table where the height of the worktop can be quickly and easily adjusted to the given user or situation. In addition to this a free-standing frame can be used where the walls are not strong enough to support our wall mounted models.

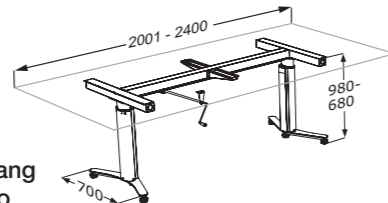
- Height of the freestanding benchtop is adjusted via a crank handle that can be placed wherever you want.
- Benchtops can be adjusted in height over a range of 300 mm.
- The design of the legs and feet make the table stable and secure.
- It is possible to use the benchtop from all sides in a wheelchair.
- All our height adjustable frames can lift 100 kg.
- Benchtops can be up to 3000 mm long and between 700-1000 mm wide.

RK1181 Manual lift for freestanding worktop.
For worktops from 1400 - 2000 mm.
Height-adjustable 300 mm.
Including 2 telescopic legs, longitudinal and cross braces and crank handle.
Pressalit Care recommends an overhang of 200 mm at both ends of the table to leave room for wheelchair users.



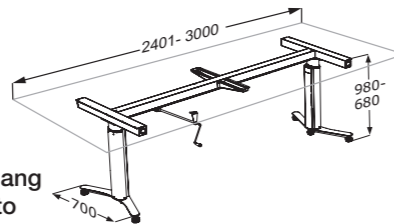
RK1181

RK1182 Manual lift for freestanding worktop.
For worktops from 2001 - 2400 mm.
Height-adjustable 300 mm.
Including 2 telescopic legs, 2 brackets, longitudinal and cross braces and crank handle.
Pressalit Care recommends an overhang of 400 mm at both ends of the table to leave room for wheelchair users.



RK1182

RK1183 Manual lift for freestanding worktop.
For worktops from 2401 - 3000 mm.
Height-adjustable 300 mm.
Including 2 telescopic legs, 2 brackets, longitudinal and cross braces and crank handle.
Pressalit Care recommends an overhang of 400 mm at both ends of the table to leave room for wheelchair users.



RK1183

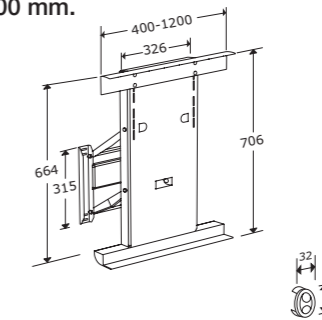
ELECTRICAL HEIGHT ADJUSTMENT – WALL MOUNTED

Wall cabinets can be moved diagonally towards the user, this makes it easy for seated users to see and access the contents of any cabinet. Height-adjustable wall cabinets provide extra storage options when traditional storage cannot be installed under benchtops, out of consideration for wheelchair access.

- Adjustment of the wall cabinet frame is via a switch located under the leading edge of the benchtop.
- You can locate this switch wherever you like under the leading edge of the benchtop.

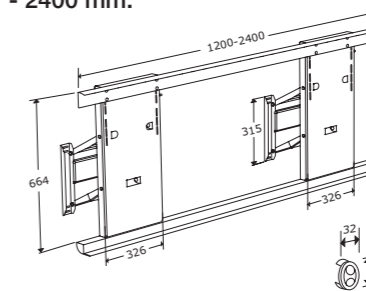
- The design of the height adjustable frames ensures that they are as discreet as possible, regardless of the cabinet position.
- When the wall cabinets are lowered 430 mm to their lowest position, they are also extended 180 mm towards the user.
- Wall cabinets up to 2400 mm long can be installed on our height adjustable frames.
- Both of the wall cabinet frames we manufacture can lift between 110-220 kg's, depending on the model used.

RK1020-92 Electric lift for wall cupboards, 400 - 1200 mm.
Diagonally adjustable 430/180 mm.
Including 1 lift motor, 2 cross braces and switch.



RK1020-92

RK1021-92 Electric lift for wall cupboards, 1201 - 2400 mm.
Diagonally adjustable 430/180 mm.
Including 2 lift motors, 2 cross braces and switch.



RK1021-92

PRESSALIT SUPPORTS UNITED NATIONS GLOBAL GOALS



Pressalit's Environmental and Quality Management Systems are certified by LRQA



Auckland (Head Office)

20 Carr Rd, Three Kings
Auckland 1042
P: 09 624 1115
F: 09 624 1110
E: sales@macdonaldindustries.co.nz

Wellington

P: 04 569 8033
F: 04 569 8066

Christchurch

P: 03 348 2356
F: 03 348 2376

www.macdonaldindustries.co.nz