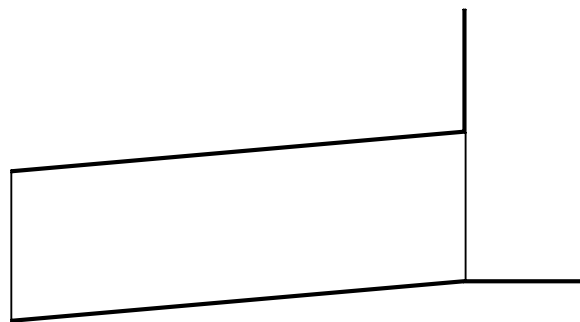
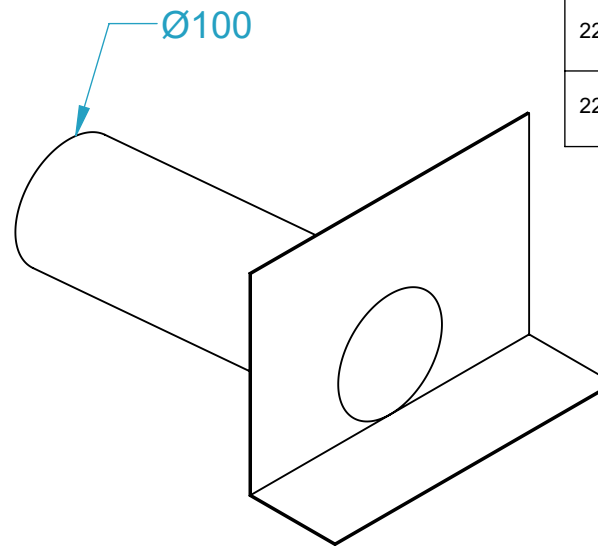
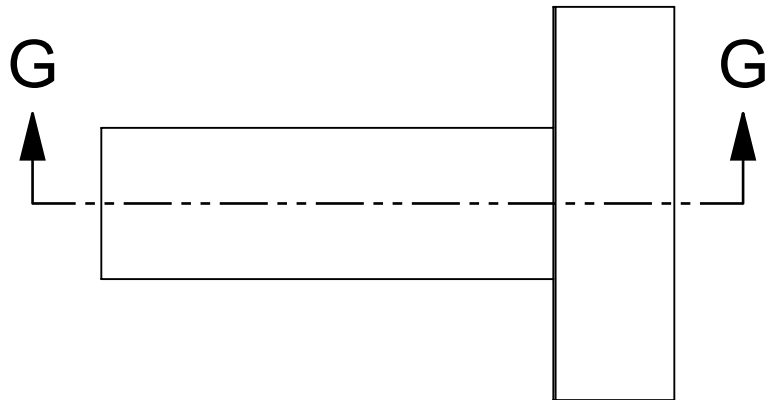


CODE	NAME	DN
2200.612	Scupper Round 100x300@5 Alluminium 5052	100
2200.613	Scupper Round 100x300@5 SS316	100



SECTION G-G

