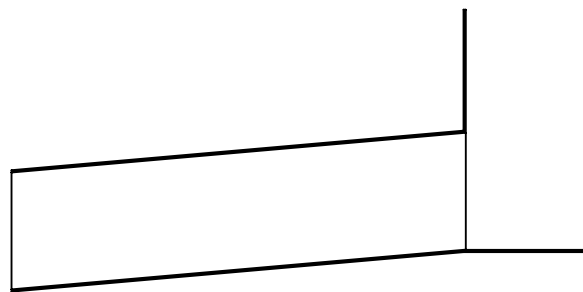
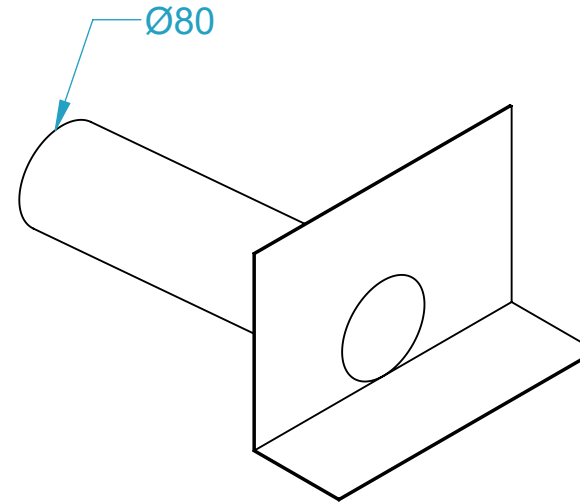
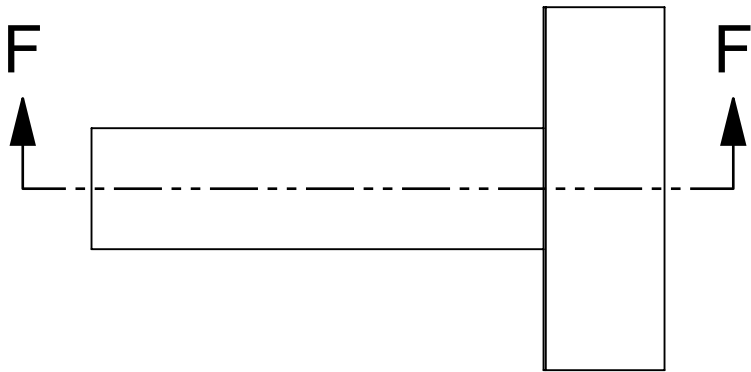


CODE	NAME	DN
2200.512	Scupper Round 80x300@5 Alluminium 5052	80
2200.513	Scupper Round 80x300@5 SS316	80



SECTION F-F

