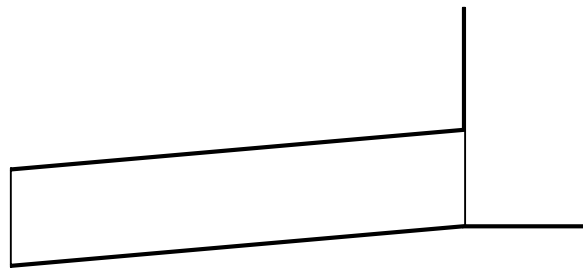
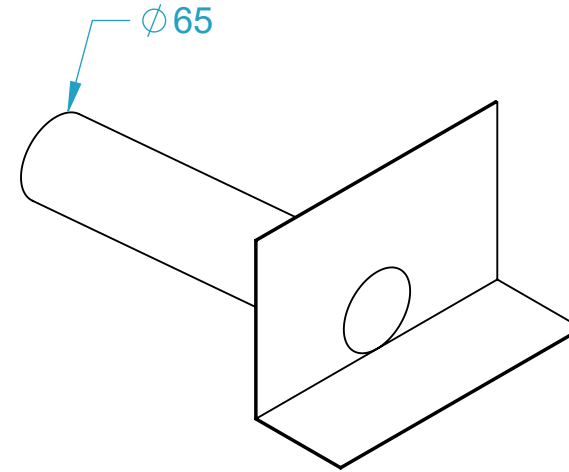
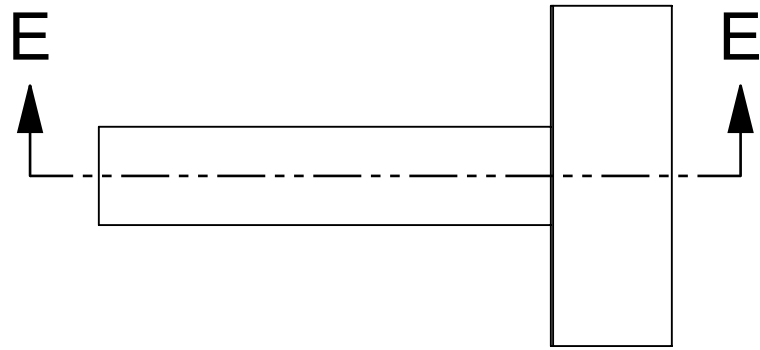


CODE	NAME	DN
2200.412	Scupper Round 65x300@5 Aluminium 5052	65
2200.413	Scupper Round 65x300@5 SS316	65



SECTION E-E

