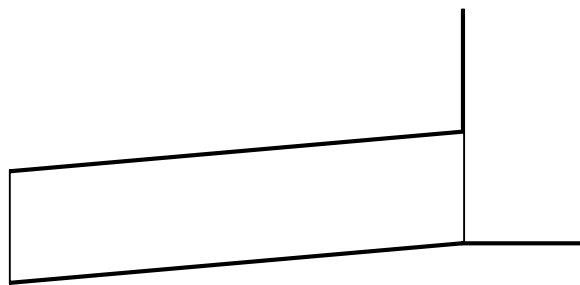
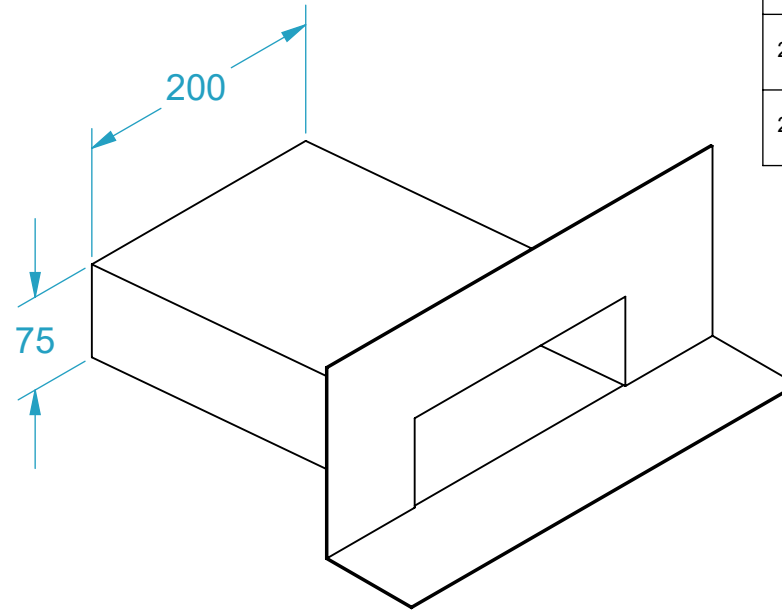
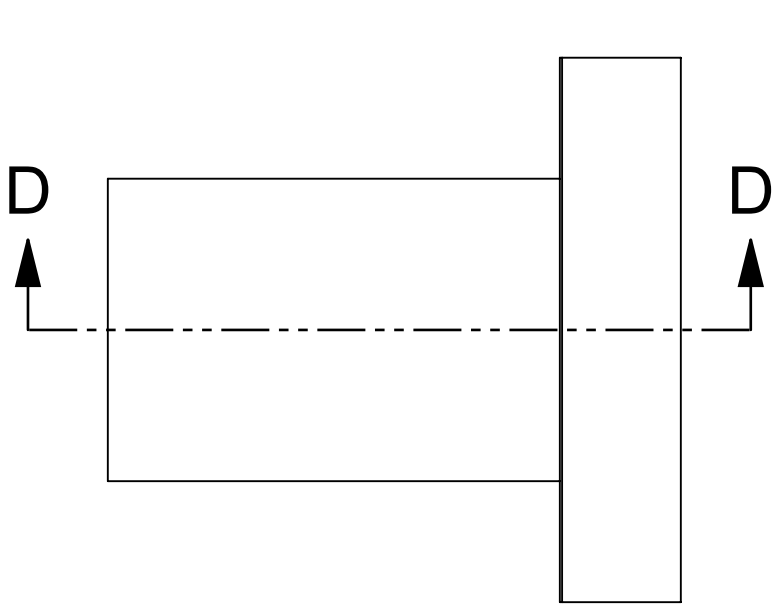


AQUAKNIGHT INDUSTRIES

CODE	NAME	DN
2200.312	Scupper 200x75x300@5 Alluminium 5052	150
2200.313	Scupper 200x75x300@5 SS316	150



SECTION D-D

