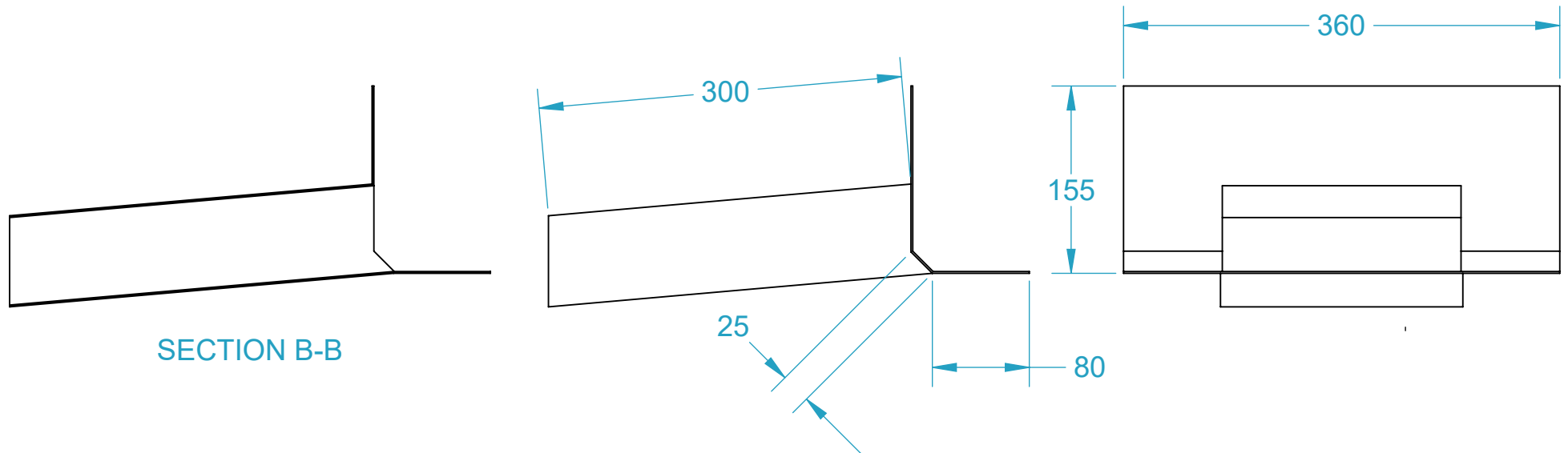
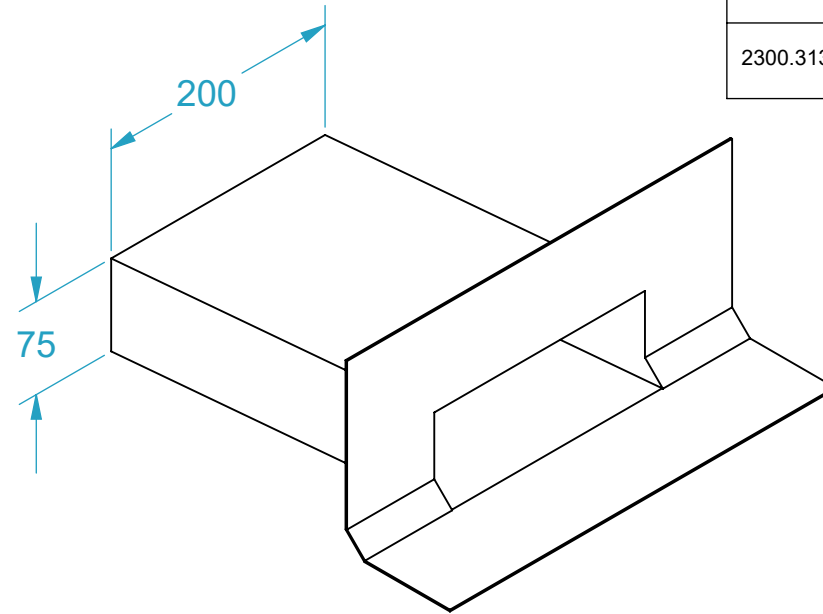
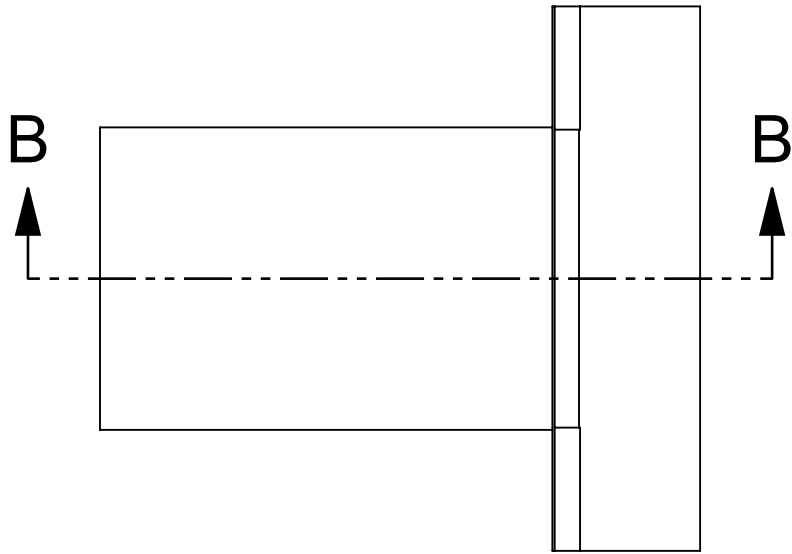


CODE	NAME	DN
2300.312	Scupper Chamfer 200x75x300@5 Alluminium 5052	150
2300.313	Scupper Chamfer 200x75x300@5 SS316	150



SECTION B-B