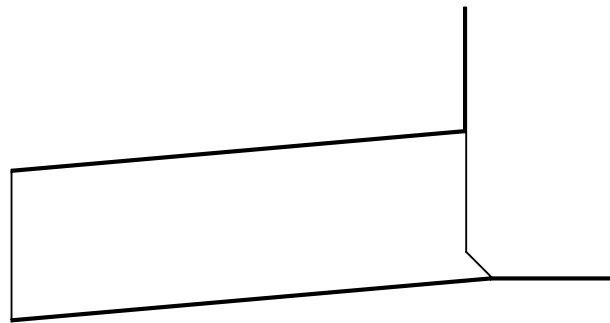
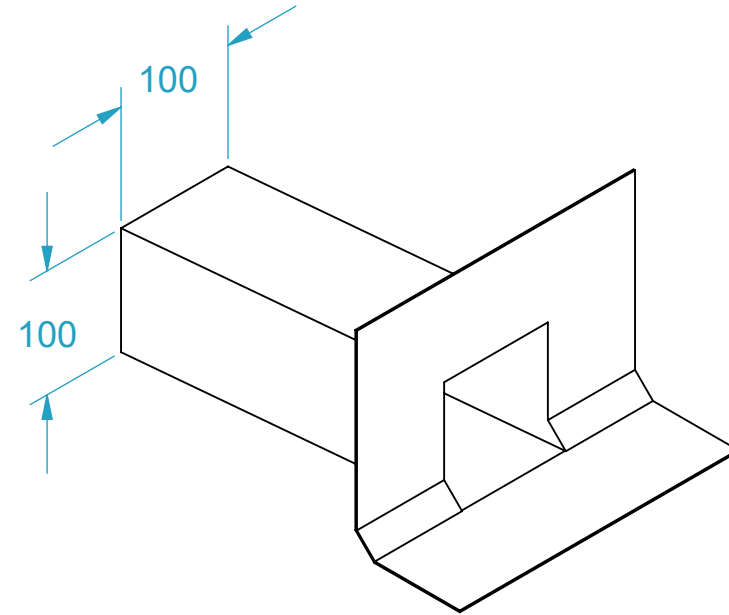
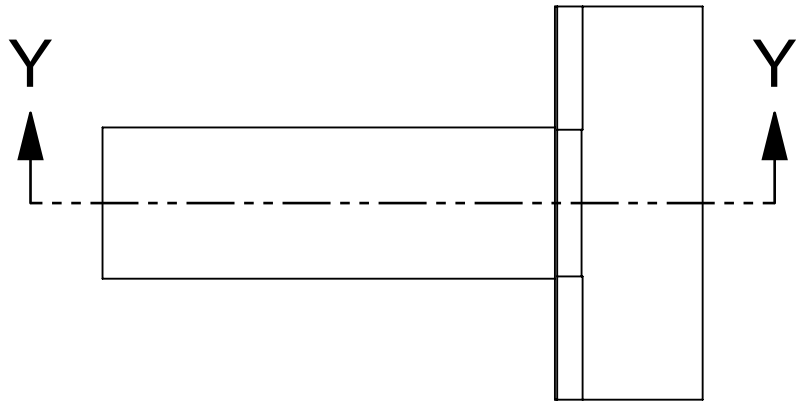


| CODE     | NAME  | DN  |
|----------|---|-----|
| 2300.212 | Scupper Chamfer<br>100x100x300@5<br>Alluminium 5052 | 100 |
| 2300.213 | Scupper Chamfer<br>100x100x300@5<br>SS316           | 100 |



SECTION Y-Y

